

**LIST PRICES**

Product ..... Pages

**VALU-PAKS**

TYLER/UNION C153 MJ & UNION-TITE PRE-PACKS ..... 2

**STANDARD COATINGS**

Standard coat outside, cement lined and seal coat inside.

DUCTILE IRON C153 MECHANICAL JOINT FITTINGS ..... 3-11

TAPPING SLEEVES MJ COMPACT ..... 12

TAPPING SLEEVES MJ FULL BODY C110 ..... 12

DUCTILE IRON C110 FULL BODY MECHANICAL JOINT FITTINGS ..... 13-22

UNION-TITE (PUSH ON) C153 FITTINGS ..... 23-26

DUCTILE IRON C110 FLANGE FITTINGS ..... 27-32

GRAY IRON MUNICIPAL CASTINGS ..... 33-44

**UPC NUMBERS:**

Universal Product Code Numbers are recognized worldwide as the preferred means for electronic data interchange. The UPC numbers are for inventory control, but the systems installed will be useful in developing EDI.

The 12-digit UPC numbering system uses the first 6 digits to identify the manufacturer, and the last 6 digits to identify the individual part or product:

670610-000000  
 (Company) (Product)

Only the last 6 digits of the UPC number are needed to order a product by mail, phone or fax from Tyler Pipe. Currently, UFCO does not use UPC codes.

**PRICING NOTE:**

"With Accessories" prices are shown for assistance in preparing quotations only. For your convenience, we will calculate the appropriate accessories on orders. However, all invoices will list fittings and accessories net prices separately.

S = From Stock to 2 weeks  
 N = Non-Stock; Check for availability.

Product ..... Pages

**SPECIAL COATINGS**

**EPOXY COATED FITTINGS**

Mechanical Joint C153 ..... 45-50

Mechanical Joint C110 ..... 51-57

Union-Tite C153 ..... 58-61

Flanged C110 ..... 62-66

**PRIME COATED:** Prime outside, cement-lined and seal coat inside. TYLER - 140-1211 Pota Pox Plus  
 UNION - 140-1211 Pota Pox Plus

FLANGE C110 DI ..... 67-71

**BARE FITTINGS**

MJ C153 DI ..... 72-76

MJ C110 DI ..... 77-82

FLANGE C110 DI ..... 83-86

**DBL CEMENT LINED:** Seal coat outside, double thickness cement lined and seal coat inside.

MJ C153 DI ..... 87-90

MJ C110 DI ..... 91-93

**TERMS & CONDITIONS** ..... 94-95

**WEBSITE INFORMATION** ..... 96

**WEIGHTS:**

All weights in this list price sheet are estimates for shipping purposes only, and exclude accessories. Consult Tyler or Union catalogs for weights of individual product.

**NOTE - For Tapped Tees, Plugs and Caps Only:** We stock 2" IPT Taps only. For all tap sizes other than 2" IPT up to a 4" maximum a \$75.00 **NET CHARGE** will be added to the corresponding 2" tapped fitting cost. Special tapped fittings are non-cancellable and non-returnable. Contact CSR for details

Visit our websites: [www.tylerpipe.com](http://www.tylerpipe.com)  
[www.ufco.com](http://www.ufco.com)

# TYLER/UNION C153 MECHANICAL JOINT & UNION-TITE VALU-PAKS

## VALU-PAKS

Heavy shrink wrapped for stability and packaged on pallets for easier movement, these VALU-PAKS help simplify ordering and inventory. They take less space in your storage yard, too. VALU-PAKS are priced less than an equal number of individual fittings.

### Tyler/Union C153 Mechanical Joint Fittings

UPC #	Ship Code	Size	Pallet Quantity	Less Accessories	Weight	UPC #	Ship Code	Size	Pallet Quantity	Less Accessories	Weight
-------	-----------	------	-----------------	------------------	--------	-------	-----------	------	-----------------	------------------	--------

#### 90° (1/4) MJ BEND

374497	S	4	72	\$4190.00	1872
374503	S	6	40	3725.00	1920
374510	S	8	32	4625.00	2176
375760	S	10	24	5448.00	2448
374527	S	12	14	4088.00	1974

#### 90° (1/4) MJxFE BEND

381419	S	6	40	5665.00	1840
381426	S	8	32	7015.00	2351

#### 45° (1/8) MJ BEND

374534	S	4	108	\$5762.00	2376
374541	S	6	64	5215.00	2560
374558	S	8	48	6053.00	2832
374565	S	12	18	4295.00	1998

#### 22½° (1/16) BEND

374572	S	6	64	\$5339.00	2368
374589	S	8	48	6192.00	2400

#### MJxFE ADAPTER

398677	S	6x6	80	\$7605.00	3086
398684	S	8x6	45	5762.00	2501

#### SOLID SLEEVE (12" Long)

374640	S	6	64	5649.00	2496
374657	S	8	48	5587.00	2544
374664	S	10	36	5273.00	2304
374671	S	12	24	4400.00	1968

#### SWIVELxSOLID HYDRANT ADAPTER

(UNION ONLY)	6x12	48	\$6658.00	2208
383161	S 6x13	48	6658.00	2208

#### MJxFE TEE SSB

375005	S	8x6	48	\$12338.00	3984
--------	---	-----	----	------------	------

#### MJxMJ TEE

374602	S	6	48	6053.00	2880
374619	S	8	36	7019.00	3240
374626	S	8x6	48	8614.00	3840
375777	S	10x6	27	6678.00	2673
375784	S	10x8	27	6888.00	2123

#### MJxSWIVEL TEE

383147	S	6	36	\$7263.00	2790
383154	S	8x6	30	7421.00	2970

#### ACCESSORY PACKS/STANDARD

374688	S	4	176	3073.00	1211
374695	S	6	132	2945.00	1294
374701	S	8	117	3064.00	1322
374718	S	10	99	3457.00	1544
374725	S	12	68	2572.00	1176
374985	S	14	48	3632.00	1272
374992	S	16	48	4144.00	1533

#### ACCESSORY PACKS WITH LONG BOLTS (3/4"x 4") TYLER ONLY

375791	S	6	132	\$2817.00	1452
375807	S	8	117	3064.00	1521
375814	S	10	99	3457.00	1782
375821	S	12	68	2638.00	1292

### Tyler/Union C153 Union-Tite Compact Push-On Fittings - Gaskets Included

UPC #	Ship Code	Size	Pallet Quantity	Gasket Included	Weight	UPC #	Ship Code	Size	Pallet Quantity	Gasket Included	Weight
-------	-----------	------	-----------------	-----------------	--------	-------	-----------	------	-----------------	-----------------	--------

#### UT 90° (1/4) BEND

374732	S	4	60	\$4889.00	1440
374749	S	6	40	4734.00	2040
374756	S	8	21	4094.00	1659

#### 45° (1/8) BENDS

374763	S	4	101	\$7152.00	2525
374770	S	6	48	4982.00	2016
374787	S	8	24	3818.00	1536

#### UT TEES

374794	S	4	33	\$3713.00	1452
374800	S	6	35	5398.00	2485
381402	S	8x6	28	6437.00	2828
374817	S	8	28	7686.00	3108

#### UTxFE TEES

381389	S	8x6	28	\$7876.00	3640
--------	---	-----	----	-----------	------

# MJ COMPACT

## LP-5041

## Tyler/Union C153 Mechanical Joint Fittings

UPC #	Ship Code	Size	Less Accessories	With Accessories	Weight	UPC #	Ship Code	Size	Less Accessories	With Accessories	Weight
-------	-----------	------	------------------	------------------	--------	-------	-----------	------	------------------	------------------	--------

### 90° (1/4) MJ BEND

072188	S	3	\$52.00	\$88.00	19
072201	S	4	60.00	96.00	26
072225	S	6	96.00	142.00	49
072249	S	8	149.00	203.00	64
072263	S	10	234.00	306.00	102
072287	S	12	301.00	379.00	129
072300	S	14	687.00	843.00	241
072324	S	16	784.00	962.00	273
072348	S	18	1501.00	1845.00	411
072362	S	20	1728.00	2092.00	519
072386	S	24	2685.00	3079.00	721
120193	N	30	5045.00	5991.00	1139
120704	N	36	7870.00	9086.00	1450

### 22½° (1/16) MJ BEND

073260	S	3	\$50.00	\$86.00	16
073284	S	4	55.00	91.00	20
073307	S	6	86.00	132.00	36
073321	S	8	133.00	187.00	50
073345	S	10	183.00	255.00	66
073369	S	12	249.00	327.00	87
073383	S	14	533.00	689.00	142
073406	S	16	602.00	780.00	178
073420#	S	18	1123.00	1467.00	286
073444	S	20	1451.00	1815.00	376
073468	S	24	2086.00	2480.00	512
120254	N	30	4147.00	5093.00	664
120766	N	36	5929.00	7145.00	960

UPC #	Ship Code	Size	Pallet Quantity	Less Accessories	Weight
<b>VALU-PAK 90° (1/4) MJ BEND</b>					
374497	S	4	72	\$4190.00	1872
374503	S	6	40	3725.00	1920
374510	S	8	32	4625.00	2176
375760	S	10	24	5448.00	2568
374527	S	12	14	4088.00	1974

UPC #	Ship Code	Size	Pallet Quantity	Less Accessories	Weight
<b>VALU-PAK 22½° (1/16) BEND</b>					
374572	S	6	64	\$5339.00	2368
374589	S	8	48	6192.00	2400

### 45° (1/8) MJ BEND

072829	S	3	\$48.00	\$84.00	17
072843	S	4	55.00	91.00	22
072867	S	6	84.00	130.00	39
072881	S	8	130.00	184.00	56
072904	S	10	180.00	252.00	78
072928	S	12	246.00	324.00	102
072942	S	14	517.00	673.00	155
072966	S	16	602.00	780.00	204
072980	S	18	1111.00	1455.00	292
073000	S	20	1346.00	1710.00	372
073024	S	24	1976.00	2370.00	490
119869	N	30	4004.00	4950.00	780
120735	N	36	5883.00	7099.00	1135

### 11¼° (1/32) MJ BEND

073703	S	3	\$52.00	\$88.00	16
073727	S	4	61.00	97.00	20
073741	S	6	86.00	132.00	29
073765	S	8	135.00	189.00	44
073789	S	10	185.00	257.00	59
073802	S	12	252.00	330.00	82
073826	S	14	528.00	684.00	136
073840	S	16	641.00	819.00	157
073864	S	18	1136.00	1480.00	283
073888	S	20	1322.00	1686.00	374
073901	S	24	1963.00	2357.00	487
120797	N	30	4121.00	5067.00	567
120803	N	36	6009.00	7225.00	820

UPC #	Ship Code	Size	Pallet Quantity	Less Accessories	Weight
<b>VALU-PAK 45° (1/8) MJ BEND</b>					
374534	S	4	108	\$5762.00	2376
374541	S	6	64	5215.00	2560
374558	S	8	48	6053.00	2832
374565	S	12	18	4295.00	1998

### 90° (1/4) MJxPE BEND

072409	S	3	\$66.00	\$84.00	21
072423	S	4	74.00	92.00	26
072447	S	6	118.00	141.00	45
072461	S	8	173.00	200.00	64
072485	S	10	282.00	318.00	108
072508	S	12	357.00	396.00	131
072522	N	14	821.00	899.00	219
072546	S	16	949.00	1038.00	254
072607	N	24	3511.00	3708.00	710
120407	N	30	6704.00	7177.00	865

#Manufactured at UFCO or Clow

"With Accessories" prices are shown for assistance in preparing quotations only. For your convenience, we will calculate the appropriate accessories on orders. However, all invoices will list fittings and accessories net prices separately.

S = From Stock to 2 weeks      N = Non-Stock

Check for availability. All weights exclude accessories.

### 45° (1/8) MJxPE BEND

073048	S	3	\$65.00	\$83.00	21
073062	S	4	72.00	90.00	22
073086	S	6	99.00	122.00	38
073109	S	8	146.00	173.00	55
073123	S	10	223.00	259.00	80
073147	S	12	282.00	321.00	104
073161	S	14	612.00	690.00	153
073185	S	16	760.00	849.00	201
073246	S	24	2683.00	2880.00	490
120414	N	30	5476.00	5949.00	715

# MJ COMPACT

## Tyler/Union C153 Mechanical Joint Fittings

LP-5041

UPC # 670610	Ship Code	Size	Less Accessories	With Accessories	Weight	UPC # 670610	Ship Code	Size	Less Accessories	With Accessories	Weight
-----------------	--------------	------	---------------------	---------------------	--------	-----------------	--------------	------	---------------------	---------------------	--------

### 22½° (1/16) MJxPE BEND

073482	N	3	\$66.00	\$84.00	19
073505	S	4	73.00	91.00	20
073529	S	6	99.00	122.00	33
073543	S	8	146.00	173.00	55
073567	N	10	227.00	263.00	66
073581	S	12	287.00	326.00	89
073604	N	14	623.00	701.00	152
073628	N	16	791.00	880.00	181
073680	N	24	2740.00	2937.00	455
120421	N	30	4257.00	4730.00	600

### 11¼° (1/32) MJxPE BEND

073925	N	3	\$68.00	\$86.00	19
073949	S	4	75.00	93.00	20
073963	S	6	102.00	125.00	31
073987	S	8	151.00	178.00	44
074007	N	10	236.00	272.00	60
074021	S	12	298.00	337.00	79
074045	N	14	623.00	701.00	133
074069	N	16	791.00	880.00	161
074120	N	24	2740.00	2937.00	475

### 90° (1/4) MJxFE BEND

072621	S	3	\$93.00	\$111.00	21
072645	S	4	102.00	120.00	28
072669	S	6	146.00	169.00	45
072683	S	8	226.00	253.00	73
072706	S	10	335.00	371.00	113
072720	S	12	421.00	460.00	159
072744	N	14	954.00	1032.00	217
072768	N	16	1050.00	1139.00	278

UPC # 670610	Ship Code	Size	Pallet Quantity	Less Accessories	Weight
<b>VALU-PAK MJxFE 90° (1/4) BEND</b>					
381419	S	6	40	5665.00	1840
381426	S	8	32	7015.00	2326

### 45° (1/8) MJxFE BEND

365334#	S	4	\$103.00	\$121.00	34
365341#	S	6	147.00	170.00	57
365358#	S	8	225.00	252.00	83
365365#	S	10	339.00	375.00	122
365372#	S	12	428.00	467.00	159
365389#	N	14	954.00	1032.00	207
365396#	N	16	1070.00	1159.00	290

### 22½° (1/16) MJxFE BEND

365402#	S	4	\$103.00	\$121.00	34
365419#	S	6	148.00	171.00	57
365426#	S	8	228.00	255.00	83
365433#	S	10	339.00	375.00	122
365440#	S	12	428.00	467.00	159

### 11¼° (1/32) MJxFE BEND

365457#	N	4	\$103.00	\$121.00	19
365464#	S	6	148.00	171.00	30
365471#	S	8	228.00	255.00	50
365488#	N	10	330.00	366.00	75
365495#	S	12	418.00	457.00	88

### MJ WYE (Not Included in AWWA C153)

076469	S	3	\$183.00	\$237.00	36
076483	S	4x3	193.00	247.00	39
076506	S	4	201.00	255.00	45
076520	S	6x4	242.00	306.00	67
076544	S	6	249.00	318.00	85
076568	S	8x4	332.00	404.00	86
076582	S	8x6	338.00	415.00	109
076605	S	8	372.00	453.00	134
076629	S	10x4	648.00	738.00	112
076643	S	10x6	651.00	746.00	129
076667	S	10x8	680.00	779.00	162
076681	S	10	701.00	809.00	188
076704	S	12x4	805.00	901.00	141
076728	S	12x6	821.00	922.00	170
076742	S	12x8	874.00	979.00	177
076766	N	12x10	1046.00	1160.00	216
076780	S	12	1051.00	1168.00	269
076889	S	14	2393.00	2627.00	476
076902	S	16x6	1957.00	2158.00	300
076926	S	16x8	2072.00	2277.00	350
076964	S	16x12	2278.00	2495.00	471
077008	S	16	2982.00	3249.00	635

### MJxFE ADAPTER (6" Laying Length)

083771	S	3	\$86.00	\$104.00	18
083795	S	4	92.00	110.00	26
083818	S	6	98.00	121.00	36
083832	S	8	132.00	159.00	50
083856	S	10	164.00	200.00	76
083870	S	12	192.00	231.00	88
083894	S	14	412.00	490.00	127
083917	S	16	498.00	587.00	155
373223#	S	20	1133.00	1315.00	275

UPC # 670610	Ship Code	Size	Pallet Quantity	Less Accessories	Weight
<b>VALU-PAK MJxFE ADAPTER</b>					
398677	S	6x6	80	\$7605.00	3086
398684	S	8x6	45	5762.00	2501

### MJxFE ADAPTER (10" Laying Length)

120551	N	30	2789.00	3262.00	470
120568	N	36	4091.00	4699.00	750

#Manufactured at UFCO or Clow

S = From Stock to 2 weeks    N = Non-Stock; Check for availability.    All weights exclude accessories.

# MJ COMPACT

## LP-5041

## Tyler/Union C153 Mechanical Joint Fittings

UPC #	Ship Code	Size	Less Accessories	With Accessories	Weight	UPC #	Ship Code	Size	Less Accessories	With Accessories	Weight																																										
<b>FExPE ADAPTER (12" Laying Length)</b>						<b>MJ TEE (Con't)</b>																																															
083955	S	4	\$71.00	N/A	23	075202	S	24x18	\$4473.00	\$5039.00	721																																										
083979	S	6	100.00	N/A	35	075226	S	24x20	3728.00	4304.00	823																																										
083993	S	8	152.00	N/A	50	075240	S	24	3678.00	4269.00	937																																										
084013#	N	10	234.00	N/A	69	120438	N	30x6	3432.00	4401.00	717																																										
084037#	N	12	299.00	N/A	88	120445	N	30x8	3749.00	4722.00	739																																										
084075#	N	16	553.00	N/A	149	120452	N	30x12	4136.00	5121.00	848																																										
<b>MJ TEE</b>						120469	N	30x16	4867.00	5902.00	959																																										
074144	S	3	\$73.00	\$127.00	26	120476	N	30x20	5598.00	6726.00	995																																										
074168	S	4x3	92.00	146.00	35	120483	n	30x24	6945.00	8088.00	1114																																										
074182	S	4	90.00	144.00	36	120490	N	30	6633.00	8052.00	1348																																										
074205	S	6x3	115.00	179.00	51	120506	N	36x16	7259.00	8564.00	1460																																										
074229	S	6x4	120.00	184.00	52	120834	N	36x24	7653.00	9066.00	1498																																										
074243	S	6	130.00	199.00	66	120841	N	36x30	11851.00	13540.00	1555																																										
074267	S	8x3	178.00	250.00	69	120858	N	36	10425.00	12249.00	1900																																										
074281	S	8x4	170.00	242.00	72	<table border="1"> <thead> <tr> <th>UPC #</th> <th>Ship Code</th> <th>Size</th> <th>Pallet Quantity</th> <th>Less Accessories</th> <th>Weight</th> </tr> </thead> <tbody> <tr> <td colspan="6"><b>VALU-PAK MJ TEE</b></td> </tr> <tr> <td>374602</td> <td>S</td> <td>6</td> <td>48</td> <td>6053.00</td> <td>2800</td> </tr> <tr> <td>374619</td> <td>S</td> <td>8</td> <td>36</td> <td>7019.00</td> <td>3240</td> </tr> <tr> <td>374626</td> <td>S</td> <td>8x6</td> <td>48</td> <td>8614.00</td> <td>3840</td> </tr> <tr> <td>375777</td> <td>S</td> <td>10x6</td> <td>27</td> <td>6678.00</td> <td>2673</td> </tr> <tr> <td>375784</td> <td>S</td> <td>10x8</td> <td>27</td> <td>6888.00</td> <td>2123</td> </tr> </tbody> </table>						UPC #	Ship Code	Size	Pallet Quantity	Less Accessories	Weight	<b>VALU-PAK MJ TEE</b>						374602	S	6	48	6053.00	2800	374619	S	8	36	7019.00	3240	374626	S	8x6	48	8614.00	3840	375777	S	10x6	27	6678.00	2673	375784	S	10x8	27	6888.00	2123
UPC #	Ship Code	Size	Pallet Quantity	Less Accessories	Weight																																																
<b>VALU-PAK MJ TEE</b>																																																					
374602	S	6	48	6053.00	2800																																																
374619	S	8	36	7019.00	3240																																																
374626	S	8x6	48	8614.00	3840																																																
375777	S	10x6	27	6678.00	2673																																																
375784	S	10x8	27	6888.00	2123																																																
074304	S	8x6	185.00	262.00	79							<b>MJxFE TEE</b>																																									
074328	S	8	201.00	282.00	92							075288	S	3	\$103.00	\$139.00	29																																				
074342	S	10x3	247.00	337.00	80							075301	S	4x3	104.00	140.00	34																																				
074366	S	10x4	246.00	336.00	82							075325	S	4	120.00	156.00	39																																				
074380	S	10x6	255.00	350.00	99							075349	S	6x3	174.00	220.00	54																																				
074403	S	10x8	263.00	362.00	116							075363	S	6x4	188.00	234.00	57																																				
074427	S	10	301.00	409.00	132							075387	S	6	192.00	238.00	64																																				
074441	S	12x3	312.00	408.00	99	075424	S	8x4	254.00	308.00	82																																										
074465	S	12x4	313.00	409.00	108	075448	S	8x6	265.00	319.00	81																																										
074489	S	12x6	315.00	416.00	119	075462	S	8	282.00	336.00	101																																										
074502	S	12x8	329.00	434.00	126	075509	S	10x4	359.00	431.00	92																																										
074526	S	12x10	391.00	505.00	159	075523	S	10x6	361.00	433.00	116																																										
074540	S	12	410.00	527.00	166	075547	S	10x8	386.00	458.00	128																																										
074564	S	14x6	680.00	859.00	183	075561	S	10	442.00	514.00	144																																										
074588	S	14x8	876.00	1059.00	211	075608	S	12x4	441.00	519.00	118																																										
074601	S	14x10	1099.00	1291.00	229	075622	S	12x6	443.00	521.00	133																																										
074625	S	14x12	967.00	1162.00	245	075646	S	12x8	465.00	543.00	146																																										
074649	S	14	1021.00	1255.00	281	075660	S	12x10	551.00	629.00	174																																										
074663	S	16x6	890.00	1091.00	222	075684	S	12	567.00	645.00	198																																										
074687	S	16x8	902.00	1107.00	245	075707	S	14x6	860.00	1016.00	205																																										
074700	S	16x10	1020.00	1234.00	265	075745	N	14x10	1145.00	1301.00	244																																										
074724	S	16x12	942.00	1159.00	277	075769	N	14x12	1237.00	1393.00	276																																										
074748	N	16x14	1157.00	1413.00	317	075783	N	14	1438.00	1594.00	291																																										
074762	S	16	1073.00	1340.00	337	075806	S	16x6	1092.00	1270.00	230																																										
074786	S	18x6	1629.00	1996.00	275	075820	S	16x8	1121.00	1299.00	248																																										
074809	S	18x8	1687.00	2058.00	280	075844	N	16x10	1196.00	1374.00	281																																										
074823#	S	18x10	2066.00	2446.00	301	075868	S	16x12	1201.00	1379.00	304																																										
074847	S	18x12	1901.00	2284.00	371	075882	N	16x14	1611.00	1789.00	357																																										
074861	N	18x14	2223.00	2645.00	415	075905	S	16	1866.00	2044.00	374																																										
074885	S	18x16	2049.00	2482.00	476	075929	S	18x6	1712.00	2056.00	261																																										
074908	S	18	2334.00	2850.00	490	365549#	S	18x8	2649.00	2993.00	351																																										
074922	S	20x6	1636.00	2023.00	335	075943	S	20x6	2407.00	2771.00	372																																										
074946	S	20x8	1648.00	2039.00	390	075967	S	24x6	2901.00	3295.00	451																																										
074960	S	20x10	2365.00	2765.00	417	369424#	S	24x12	5268.00	5662.00	580																																										
074984	S	20x12	1925.00	2328.00	460	373247#	N	24x16	6139.00	6533.00	744																																										
075004	S	20x14	2327.00	2769.00	514																																																
075028	S	20x16	2197.00	2650.00	553																																																
075042	N	20x18	2747.00	3283.00	577																																																
075066	S	20	2493.00	3039.00	605																																																
075080	S	24x6	2371.00	2788.00	465																																																
075103	S	24x8	2728.00	3149.00	486																																																
075127	S	24x10	2924.00	3354.00	516																																																
075141	S	24x12	2753.00	3186.00	549																																																
075165	N	24x14	3561.00	4033.00	585																																																
075189	S	24x16	2901.00	3384.00	626																																																

#Manufactured at UFCO or Clow

# MJ COMPACT

## Tyler/Union C153 Mechanical Joint Fittings

LP-5041

UPC #	Ship Code	Size	Less Accessories	With Accessories	Weight	UPC #	Ship Code	Size	Less Accessories	With Accessories	Weight
-------	-----------	------	------------------	------------------	--------	-------	-----------	------	------------------	------------------	--------

UPC #	Ship Code	Size	Pallet Quantity	Less Accessories	Weight
<b>VALU-PAK MJxFE TEE</b>					
375005	S	8x6	48	\$12338.00	3984

### MJxPExMJ TEE

365501#	S	6	\$259.00	\$305.00	57
382775#	N	8x6	354.00	404.00	79
382782#	S	8	276.00	330.00	83
382799#	N	10	529.00	601.00	133

### MJxSWIVEL TEE (Includes Swivel Gland)

075981	S	6	\$208.00	\$254.00	78
076001	S	8x6	255.00	309.00	96
076025	S	8	299.00	353.00	105
076049	S	10x6	362.00	434.00	114
076063	S	10x8	422.00	494.00	138
076087	S	12x6	442.00	520.00	133
076100	S	12x8	514.00	592.00	149
076124	N	14x6	865.00	1021.00	212
076148	S	16x6	967.00	1145.00	243
076162	S	18x6	1913.00	2257.00	330
076186	S	20x6	1802.00	2166.00	391
076209	S	24x6	2789.00	3183.00	478

UPC #	Ship Code	Size	Pallet Quantity	Less Accessories	Weight
<b>VALU-PAK MJxSWIVEL TEE</b>					
383147	S	6	36	\$7263.00	2790
383154	S	8x6	30	7421.00	2970

### MJ TEE TAPPED (2" IPT Only) SEE NOTE

080701	S	3	\$84.00	\$120.00	20
080848	S	4	82.00	118.00	24
080985	S	6	101.00	147.00	35
081142	S	8	148.00	202.00	54
081289	S	10	187.00	259.00	67
081425	S	12	239.00	317.00	83
081647	S	16	713.00	891.00	162

#Manufactured at UFCO or Clow

**NOTE - For Tapped Tees, Plugs and Caps Only:** We stock 2" IPT Taps only. For all tap sizes other than 2" IPT up to a 4" maximum a \$75.00 NET CHARGE will be added to the corresponding 2" tapped fitting cost. Special tapped fittings are non-cancellable and non-returnable. Contact CSR for details

S = From Stock to 2 weeks

N = Non-Stock; Check for availability.

All weights exclude accessories.

### PLUG SOLID

082972	S	3	\$24.00	N/A	8
082989	S	4	25.00	N/A	9
082996	S	6	41.00	N/A	18
083009	S	8	60.00	N/A	25
083016	S	10	86.00	N/A	36
083023	S	12	110.00	N/A	48
083030	S	14	277.00	N/A	76
083047	S	16	359.00	N/A	100
083054	S	18	580.00	N/A	128
083061	S	20	624.00	N/A	158
083078	S	24	1000.00	N/A	202
120679	N	30	2173.00	N/A	355
120636	N	36	3439.00	N/A	688

### PLUG TAPT (2" IPT Only) SEE NOTE

083122	S	3-2	\$42.00	N/A	8
083207	S	4-2	43.00	N/A	9
083283	S	6-2	63.00	N/A	18
083375	S	8-2	79.00	N/A	25
083436	S	10-2	103.00	N/A	36
083504	S	12-2	128.00	N/A	48
083566	N	14-2	309.00	N/A	76
083627	S	16-2	389.00	N/A	100
083665	S	18-2	660.00	N/A	128
083702	N	20-2	745.00	N/A	158
083733	N	24-2	1166.00	N/A	202
120643	N	30-2	2358.00	N/A	355
120650	N	36-2	3624.00	N/A	688

### SOLID SLEEVE SHORT

081852	S	3	\$42.00	\$78.00	13
081869	S	4	45.00	81.00	19
081876	S	6	65.00	111.00	27
081883	S	8	87.00	141.00	42
081890	S	10	117.00	189.00	48
081906	S	12	133.00	211.00	62
081913	S	14	316.00	472.00	116
081920	S	16	387.00	565.00	138
365556#	S	18	834.00	1178.00	160
365563#	N	20	925.00	1289.00	212
365570#	S	24	1324.00	1718.00	272
120513	N	30	2880.00	3826.00	500
120520	N	36	4179.00	5395.00	725

### SOLID SLEEVE LONG

081937	S	3	\$60.00	\$96.00	22
081944	S	4	62.00	98.00	25
081951	S	6	91.00	137.00	40
081968	S	8	120.00	174.00	55
081975	S	10	151.00	223.00	68
081982	S	12	189.00	267.00	81
081999	S	14	415.00	571.00	146
082002	S	16	488.00	666.00	174
082019	S	18	1037.00	1381.00	230
082026	S	20	1049.00	1413.00	269
082033	S	24	1470.00	1864.00	280
120537	N	30	3366.00	4312.00	640
120544	N	36	5514.00	6730.00	925

# MJ COMPACT

## LP-5041

## Tyler/Union C153 Mechanical Joint Fittings

UPC #	Ship Code	Size	Less Accessories	With Accessories	Weight	UPC #	Ship Code	Size	Less Accessories	With Accessories	Weight
-------	-----------	------	------------------	------------------	--------	-------	-----------	------	------------------	------------------	--------

UPC #	Ship Code	Size	Pallet Quantity	Less Accessories	Weight
<b>VALU-PAK SOLID SLEEVE LONG</b>					
374640	S	6	64	5649.00	2496
374657	S	8	48	5587.00	2544
374664	S	10	36	5273.00	2304
374671	S	12	24	4400.00	1968

### CAP SOLID

082149#	S	3	\$24.00	\$42.00	8
082156	S	4	25.00	43.00	10
082163	S	6	39.00	62.00	18
082170	S	8	61.00	88.00	26
082187	S	10	85.00	121.00	32
082194	S	12	102.00	141.00	46
082200	S	14	302.00	380.00	85
082217	S	16	327.00	416.00	94
082224	S	18	495.00	667.00	121
082231	S	20	530.00	712.00	149
082248	S	24	785.00	982.00	210
120667	N	30	2007.00	2480.00	345
120674	N	36	3193.00	3801.00	628

### CAP TAPT (2" IPT Only) SEE NOTE

082293#	S	3-2	\$43.00	\$61.00	8
082361	S	4-2	45.00	63.00	10
082453	S	6-2	62.00	85.00	18
082538	S	8-2	84.00	111.00	26
082606	S	10-2	102.00	138.00	32
082699	S	12-2	125.00	164.00	46
082743	S	14-2	346.00	424.00	85
082804	S	16-2	366.00	455.00	94
082859	S	18-2	592.00	764.00	121
082910	S	20-2	666.00	848.00	149
082941	S	24-2	1049.00	1246.00	210
120681	N	30	2253.00	2726.00	345
120698	N	36	3440.00	4048.00	628

### MJ REDUCER

077589	S	4x3	\$53.00	\$89.00	18
077602	S	6x3	66.00	107.00	28
077626	S	6x4	65.00	106.00	27
077640	S	8x4	93.00	138.00	36
077664	S	8x6	101.00	151.00	40
077688	S	10x4	120.00	174.00	53
077701	S	10x6	122.00	181.00	59
077725	S	10x8	136.00	199.00	54
077749	S	12x4	162.00	219.00	67
077763	S	12x6	162.00	224.00	67
077787	S	12x8	178.00	244.00	64
077800	S	12x10	193.00	268.00	78
077824	S	14x6	366.00	467.00	104
077848	S	14x8	366.00	471.00	104
077862	S	14x10	349.00	463.00	100
077886	S	14x12	403.00	520.00	97
077909	S	16x6	412.00	524.00	132
077923	S	16x8	423.00	539.00	136
077947	S	16x10	458.00	583.00	128
077961	S	16x12	464.00	592.00	122

### MJ REDUCER (Con't)

077985	S	16x14	\$567.00	\$734.00	140
078005	S	18x8	885.00	1084.00	190
078029	S	18x10	1133.00	1341.00	196
078043	S	18x12	999.00	1210.00	185
078067	S	18x14	1041.00	1291.00	197
078081	S	18x16	987.00	1248.00	196
078104	N	20x10	1123.00	1341.00	225
078128	S	20x12	1125.00	1346.00	210
078142#	N	20x14	1546.00	1806.00	208
078166	S	20x16	1322.00	1593.00	238
078180	S	20x18	1560.00	1914.00	250
078203	S	24x12	1543.00	1779.00	327
078227	N	24x14	2015.00	2290.00	315
078241	S	24x16	1728.00	2014.00	324
078265	S	24x18	1812.00	2181.00	328
078289	S	24x20	1851.00	2230.00	334
080169	N	30x16	1946.00	2508.00	475
061342	N	30x18	2098.00	2743.00	495
080244	N	30x20	2161.00	2816.00	525
120575	N	30x24	2417.00	3087.00	478
120582	N	36x24	4112.00	4917.00	770
129493	N	42x30	9915.00	11313.00	1185
129646	N	48x30	12835.00	14369.00	1505

### SMALL END BELL (SEB) REDUCER

078302	S	4x3	\$50.00	\$68.00	17
078326	S	6x3	61.00	79.00	25
078340	S	6x4	67.00	85.00	26
078364	S	8x4	95.00	113.00	34
078388	S	8x6	103.00	126.00	38
078401	S	10x4	116.00	134.00	46
078425	S	10x6	126.00	149.00	48
078449	S	10x8	136.00	163.00	52
078463	S	12x4	159.00	177.00	61
078487	S	12x6	166.00	189.00	58
078500	S	12x8	180.00	207.00	62
078524	S	12x10	189.00	225.00	62
078548	S	14x6	410.00	433.00	107
078562	S	14x8	426.00	453.00	107
078586	S	14x10	437.00	473.00	102
078609	S	14x12	442.00	481.00	101
078623	S	16x6	435.00	458.00	131
078647	S	16x8	437.00	464.00	128
078661	S	16x10	498.00	534.00	124
078685	S	16x12	502.00	541.00	123
078708	S	16x14	564.00	642.00	139
078722	S	18x8	985.00	1012.00	180
078746	N	18x10	1117.00	1153.00	180
078760	S	18x12	999.00	1038.00	170
078784	N	18x14	1037.00	1115.00	181
078807	S	18x16	1210.00	1299.00	180
078821	N	20x10	1108.00	1144.00	210
078845	S	20x12	1112.00	1151.00	208
078869	N	20x14	1328.00	1406.00	198
078883	S	20x16	1195.00	1284.00	215
078906	S	20x18	1564.00	1736.00	220
078920	S	24x12	1525.00	1564.00	300
078944	N	24x14	1979.00	2057.00	325
078968	S	24x16	1763.00	1852.00	319
078982	N	24x18	1896.00	2068.00	310
079002	N	24x20	1961.00	2143.00	305

#Manufactured at UFCO or Clow

# MJ COMPACT

## Tyler/Union C153 Mechanical Joint Fittings

LP-5041

UPC #	Ship Code	Size	Less Accessories	With Accessories	Weight	UPC #	Ship Code	Size	Less Accessories	With Accessories	Weight
-------	-----------	------	------------------	------------------	--------	-------	-----------	------	------------------	------------------	--------

### SMALL END BELL (SEB) REDUCER

129684	N	30x16	\$2380.00	\$2469.00	565
129691	N	30x18	2560.00	2732.00	590
129707	N	30x20	2861.00	3043.00	560
129738	N	30x24	2704.00	2901.00	495
120599	N	36x16	2971.00	3060.00	890
129776	N	36x20	4465.00	4647.00	874
129790	N	36x24	3864.00	4061.00	746
129899	N	36x30	4283.00	4756.00	725

### LARGE END BELL (LEB) REDUCER

079026	S	4x3	\$53.00	\$71.00	18
079040	S	6x3	67.00	90.00	28
079064	S	6x4	70.00	93.00	27
079088	S	8x4	93.00	120.00	36
079101	S	8x6	104.00	131.00	38
079125	S	10x4	118.00	154.00	48
079149	S	10x6	127.00	163.00	50
079163	S	10x8	141.00	177.00	51
079187	S	12x4	172.00	211.00	64
079200	S	12x6	174.00	213.00	63
079224	S	12x8	187.00	226.00	62
079248	S	12x10	195.00	234.00	63
079262	N	14x6	384.00	462.00	112
079286	N	14x8	393.00	471.00	108
079309	N	14x10	400.00	478.00	100
079323	S	14x12	470.00	548.00	96
079347	N	16x6	459.00	548.00	144
079361	S	16x8	461.00	550.00	136
079385	S	16x10	498.00	587.00	116
079408	S	16x12	502.00	591.00	116
079422	S	16x14	576.00	665.00	135
079446	N	18x8	923.00	1095.00	195
079460	N	18x10	989.00	1161.00	185
079484	N	18x12	1008.00	1180.00	183
079507	N	18x14	1020.00	1192.00	200
079521	N	18x16	1080.00	1252.00	192
079545	N	20x10	1076.00	1258.00	210
079569	N	20x12	1138.00	1320.00	210
079583#	N	20x14	1147.00	1329.00	205
079606	N	20x16	1215.00	1397.00	238
079644	N	24x12	1564.00	1761.00	300
079668	N	24x14	1745.00	1942.00	322
079682	S	24x16	1810.00	2007.00	340

#Manufactured at UFCO or Clow

### PEXPE REDUCER

079743	S	4x3	\$50.00	N/A	18
079767	S	6x3	66.00	N/A	20
079781	S	6x4	71.00	N/A	26
079804	S	8x4	93.00	N/A	33
079828	S	8x6	115.00	N/A	41
079866	S	10x6	151.00	N/A	49
079880	S	10x8	157.00	N/A	47
079903	N	12x4	166.00	N/A	60
079927	S	12x6	183.00	N/A	58
079941	S	12x8	195.00	N/A	60
079965	S	12x10	207.00	N/A	59
080046	N	14x12	461.00	N/A	100
080060	N	16x6	457.00	N/A	128
080084	S	16x8	459.00	N/A	136
080107	N	16x10	511.00	N/A	128
080121	S	16x12	521.00	N/A	113
080145	N	16x14	660.00	N/A	133

### ALL MJ CROSS

077022	S	3	\$112.00	\$184.00	31
077046	N	4x3	128.00	200.00	39
077060	S	4	137.00	209.00	45
077084	S	6x4	170.00	252.00	62
077107	S	6	197.00	289.00	80
077121	S	8x4	218.00	308.00	84
077145	S	8x6	260.00	360.00	108
077169	S	8	289.00	397.00	120
077183	N	10x4	301.00	409.00	98
077206	S	10x6	333.00	451.00	121
077220	S	10x8	363.00	489.00	138
077244	S	10	429.00	573.00	156
077268	N	12x4	393.00	507.00	119
077282	S	12x6	425.00	549.00	138
077305	S	12x8	448.00	580.00	162
077329	S	12x10	533.00	683.00	187
077343	S	12	558.00	714.00	212
077367	N	14x6	1313.00	1515.00	210
077381	N	14x8	1353.00	1563.00	231
077404	N	14x10	1374.00	1602.00	255
077428	N	14x12	1459.00	1693.00	269
077442	S	14	1565.00	1877.00	344
077466	S	16x6	1625.00	1849.00	246
077480	S	16x8	1455.00	1687.00	261
077503	S	16x10	1565.00	1815.00	296
077527	S	16x12	1591.00	1847.00	310
077565	S	16	1884.00	2240.00	410
120605	N	30	9400.00	12156.00	1840
120612	N	36	13564.00	16716.00	2655

### MJxFE DUAL PURPOSE CUTTING-IN

#### SLEEVE (With Dual-Purpose Accessories)

082040	N	4	N/A	\$235.00	27
082057	S	6	N/A	257.00	39
082064	N	8	N/A	347.00	52
082071	N	10	N/A	453.00	102
082088	N	12	N/A	567.00	135

### SWIVELxSOLID HYDRANT ADAPTER

#### (With Swivel gland)

084150	S	6x13	\$143.00	N/A	52
084174	S	6x18	180.00	N/A	59
084198	S	6x24	217.00	N/A	75
365587#	S	8x12	246.00	N/A	52

UPC #	Ship Code	Size	Pallet Quantity	Less Accessories	Weight
<b>VALU-PAK SWIVELxSOLID HYDRANT ADAPTER</b>					
383161	S	6x13	48	\$6658.00	2208

### SWIVELxSWIVEL ADAPTERS

#### (With 2 Swivel Glands)

365594#	S	6x12	\$164.00	N/A	28
365600#	S	6x18	207.00	N/A	49
365617#	S	6x24	213.00	N/A	52

# MJ COMPACT

## LP-5041

## Tyler/Union C153 Mechanical Joint Fittings

UPC #	Ship Code	Size	Less Accessories	With Accessories	Weight
-------	-----------	------	------------------	------------------	--------

UPC #	Ship Code	Size	Less Accessories	With Accessories	Weight
-------	-----------	------	------------------	------------------	--------

### SWIVELxSWIVEL HYDRANT ELL

072782	S	6	\$197.00	N/A	74
--------	---	---	----------	-----	----

### MJ SSB D.I. GLAND ONLY

052746	S	3	\$8.20	N/A	3
052753	S	4	8.00	N/A	4
052760	S	6	9.20	N/A	5
052777	S	8	12.60	N/A	6
052784	S	10	17.50	N/A	9
052791	S	12	20.80	N/A	10
052807	S	14	53.00	N/A	17
052814	S	16	60.30	N/A	21
052821	S	18	140.00	N/A	22
052838	S	20	144.80	N/A	32
052845	S	24	151.30	N/A	37

### MJ SSB D.I. ACCESSORY PACK/STANDARD

085157	S	3	N/A	\$18.00	5
085164	S	4	N/A	18.00	7
085171	S	6	N/A	23.00	10
085188	S	8	N/A	27.00	11
085195	S	10	N/A	36.00	16
085201	S	12	N/A	39.00	17
085218	S	14	N/A	78.00	26
085225	S	16	N/A	89.00	32
085232	S	18‡	N/A	172.00	36
085249	S	20‡	N/A	182.00	44
085256	S	24‡	N/A	197.00	56
244844	S	30	N/A	473.00	220
245049	S	36	N/A	608.00	301
350330	N	42	N/A	925.00	382
350347	N	48	N/A	1061.00	463

‡ Not Packaged

UPC #	Ship Code	Size	Pallet Quantity	Gasket Included	Weight
-------	-----------	------	-----------------	-----------------	--------

### VALU-PAK ACCESSORY PACKS/STANDARD

374688	S	4	176	3073.00	1211
374695	S	6	132	2945.00	1294
374701	S	8	117	3064.00	1322
374718	S	10	99	3457.00	1544
374725	S	12	68	2572.00	1176
374985	S	14	48	3632.00	1272
374992	S	16	48	4144.00	1533

### MJ SSB D.I. ACCESSORY PACK

#### With Long Bolts (3/4x4")

085805	S	6	N/A	\$22.00	11
085812	S	8	N/A	27.00	13
085829	S	10	N/A	36.00	18
085836	S	12	N/A	40.00	19

UPC #	Ship Code	Size	Pallet Quantity	Gasket Included	Weight
-------	-----------	------	-----------------	-----------------	--------

### VALU-PAK MJ SSB D.I. ACCESSORY PACK With Long Bolts (3/4x4") TYLER ONLY

375791	S	6	132	\$2817.00	1452
375807	S	8	117	3064.00	1521
375814	S	10	99	3457.00	1782
375821	S	12	68	2638.00	1292

### MJ ACCESSORY PACK/ TRANSITION GASKET

085416	S	3	N/A	\$20.00	5
085423	S	4	N/A	20.00	7
085430	S	6	N/A	26.00	10
085447	S	8	N/A	32.00	11
085454	S	10	N/A	40.00	16
085461	S	12	N/A	46.00	17

### MJ ACCESSORY PACK/ ARMOR TIP GASKET

085683	S	4	N/A	\$36.00	7
085690	S	6	N/A	42.00	10
085706	S	8	N/A	47.00	11
085713	S	10	N/A	60.00	16
085720	S	12	N/A	66.00	17

### MJ ACCESSORY VALVE PACK

244868	S	4	N/A	\$21.00	8
244882	S	6	N/A	28.00	11
244899	S	8	N/A	33.00	15
244905	S	10	N/A	44.00	19
244929	S	12	N/A	47.00	20

### MJ ACCESSORY VALVE PACK WITH TRANSITION GASKET

244943	S	4	N/A	\$22.00	8
244967	S	6	N/A	30.00	11
244981	S	8	N/A	34.00	15
245001	S	10	N/A	46.00	19
245025	S	12	N/A	50.00	20

### MJ D.I. ACCESSORY PACK LESS GLAND

UPC #	Ship Code	Size	Bolt/Nut Size	List Price	Weight
391838	N	3	5/8x3	\$10.00	2.0
391845	N	4	3/4x3 1/2	11.00	3.5
391852	N	6	3/4x3 1/2	14.00	5.5
391869	N	8	3/4x4 1/2	16.00	5.5
391876	N	10	3/4x4 1/2	20.00	7.0
391883	N	12	3/4x4 1/2	22.00	7.0
381890	N	14	3/4x5	32.00	10.5
391906	N	16	3/4x5	37.00	13.0

# Mfg. @ UFCO

# MJ COMPACT

## Tyler/Union C153 Mechanical Joint Fittings

**LP-5041**

UPC # 670610	Ship Code	Size	Less Accessories	With Accessories	Weight	UPC # 670610	Ship Code	Size	Less Accessories	With Accessories	Weight
-----------------	--------------	------	---------------------	---------------------	--------	-----------------	--------------	------	---------------------	---------------------	--------

### MJ D.I. RETAINER GLAND ONLY

(Not included in AWWA Standard C153)

053774#	S	3	\$17.50	N/A	5
053781#	S	4	19.90	N/A	6
053798#	S	6	25.80	N/A	11
053804#	S	8	42.50	N/A	13
053811#	S	10	65.40	N/A	18
053828#	S	12	90.40	N/A	23
053835#	S	14	113.40	N/A	45
053842#	S	16	167.60	N/A	51
053859#	S	18	241.00	N/A	62
053866#	S	20	266.80	N/A	73
053873#	S	24	320.30	N/A	93

### MJ ACCESSORY PACK / D.I. RETAINER

**GLAND** (Not included in AWWA Standard C153)

365624	S	3	N/A	\$26.00	7
365631	S	4	N/A	28.00	9
365648	S	6	N/A	37.00	12
365655	S	8	N/A	57.00	17
365662	S	10	N/A	84.00	21
365679	S	12	N/A	110.00	23
085348	S	14‡	N/A	137.00	54
085355	S	16‡	N/A	195.00	65
085362	S	18‡	N/A	270.00	76
085379	S	20‡	N/A	301.00	95
085386	S	24‡	N/A	359.00	120

‡ Not packaged

### MJ COMPACT SPLIT REPAIR GLAND

382805	S	4	\$8.00	N/A	4
382812	S	6	9.20	N/A	5
382829	S	8	12.60	N/A	6
382836	S	10	17.50	N/A	7.7
382843	S	12	20.80	N/A	10.2

### MJ GASKET ONLY

053958	S	2	\$1.80	N/A
053965	S	3	1.80	N/A
053972	S	4	2.00	N/A
053989	S	6	2.60	N/A
053996	S	8	3.80	N/A
054009	S	10	4.50	N/A
054016	S	12	5.10	N/A
054023	S	14	7.40	N/A
054030	S	16	7.70	N/A
054047	S	18	9.60	N/A
054054	S	20	12.40	N/A
054061	S	24	13.60	N/A
054078	S	30	32.20	N/A
054085	S	36	34.60	N/A

### MJ TRANSITION GASKET ONLY

054672	S	2	\$3.00	N/A
054689	S	3	3.20	N/A
054696	S	4	3.20	N/A
054702	S	6	4.50	N/A
054719	S	8	5.80	N/A
054726	S	10	7.00	N/A
054733	S	12	7.60	N/A

### MJ ARMOR TIP GASKET ONLY

054115	S	4	\$11.50	N/A
054122	S	6	12.70	N/A
054139	S	8	14.10	N/A
054146	S	10	16.60	N/A
054153	S	12	18.60	N/A
054160	N	14	23.50	N/A
054177	S	16	24.70	N/A
054184	N	20	34.60	N/A
054191	S	24	48.20	N/A

### MJ SPLIT SWIVEL GLAND ASSEMBLY

108481	S	6	N/A	\$42.00	9
--------	---	---	-----	---------	---

# MJ COMPACT

## LP-5041

## Tyler/Union C153 Mechanical Joint Fittings

UPC #	Ship Code	Size	Less Accessories	With Accessories	Weight	UPC #	Ship Code	Size	Less Accessories	With Accessories	Weight
-------	-----------	------	------------------	------------------	--------	-------	-----------	------	------------------	------------------	--------

### COR-BLUE COATED STANDARD T-BOLTS (Sold in Full Boxes Only) (UPC # for 1 Bolt/Nut)

UPC #	Ship Code	Size	Box Quan.	Box Price	Box Weight	Price Each	Weight Each
055006	S	5/8 x 3	50	\$310.00	25.0	\$6.20	0.5
055013	S	3/4 x 3 1/2	225	1485.00	180.0	6.60	0.8
055020	S	3/4 x 4	200	1340.00	160.0	6.70	0.8
055037	S	3/4 x 4 1/2	175	1225.00	157.5	7.00	0.9

### ANTI-ROTATION T-BOLTS

UPC #	Ship Code	Size	Price Each	Weight Each
054986	S	3/4 x 3 1/2	\$3.30	0.8
054993	S	3/4 x 4	3.40	0.8
382768	S	3/4 x 4 1/2	3.70	1.0

### \*BAGGED MJ T-BOLTS & NUTS

UPC #	Bolt Size	Quan./Bag & Color	Wt. Per Bag	List Price Per Bag
670610				
357247	5/8 x 3	4 (White)	1.8	\$6.70
357254	3/4 x 3 1/2	4 (Black)	3.1	6.70
357261	3/4 x 3 1/2	6 (Black)	4.6	10.10
357278	3/4 x 4	4 (Red)	3.2	7.00
357285	3/4 x 4	6 (Red)	4.9	10.40
357292	3/4 x 4 1/2	4 (Green)	3.5	7.30
357308	3/4 x 4 1/2	6 (Green)	5.2	11.00
357315	3/4 x 5	4 (Blue)	3.9	9.10
357322	1x6	4 (Yellow)	8.3	25.90

\*Available from Tyler Pipe Only.

### \*BAGGED STAINLESS STEEL MJ T-BOLTS & NUTS 316 Stainless Steel

UPC #	Ship Code	Bolt Size	Quan./Bag & Color	Wt. Per Bag	List Price Per Bag
670610					
097778	N	5/8 x 3	4 (Clear)	1.8	\$63.90
097792	S	3/4 x 3 1/2	4 (Clear)	3.1	67.60
097815	S	3/4 x 3 1/2	6 (Clear)	4.6	101.40
097877	S	3/4 x 4	4 (Clear)	3.2	70.00
097891	S	3/4 x 4	6 (Clear)	4.9	105.00
097839	N	3/4 x 4 1/2	4 (Clear)	3.5	73.00
097853	S	3/4 x 4 1/2	6 (Clear)	5.2	109.60
097914	N	3/4 x 5	4 (Clear)	3.9	76.10
097938	N	1x6	4 (Clear)	8.3	186.30

\*Available from Tyler Pipe Only.

### \*BAGGED VALVE MJ T-BOLTS & NUTS (with 2 Anti-Rotation Bolts)

UPC #	Ship Code	Bolt Size	Quan./Bag & Color	Wt. Per Bag	List Price Per Bag
670610					
244769	S	3/4 x 3 1/2	4 (Orange)	3.2	\$9.70
244783	S	3/4 x 3 1/2	6 (Orange)	4.7	12.80
244806	S	3/4 x 4	4 (Purple)	3.3	10.00
244820	S	1/2 x 4	6 (Purple)	5.0	13.30

\*Available from Tyler Pipe Only.

### Boxed Sets of Bagged T-Bolts & Nuts

Six T-Bolts & Nuts per bag, bulk packed  
in wooden boxes or palletized

(Order from Tyler only)

BOXES					PALLETES		
Box UPC#	Bolt Size	Bags per Box	Price per Box	Wt. Lbs.	Sets per Pallet	Price per Pallet	Wt. Lbs.
670610							
361671	3/4 x 3 1/2	30	\$303.00	142	2160	\$3672.00	1674
362067	3/4 x 4	30	314.00	151	2160	3780.00	1728
362074	3/4 x 4 1/2	25	274.00	133	1800	3240.00	1575

### LOOSE\* MJ T-BOLTS & NUTS

	Bolt Size	Weight Each	List Price Each
#	5/8 x 3	0.8	\$1.70
#	3/4 x 3 1/2	0.8	1.70
#	3/4 x 4	0.8	1.75
#	3/4 x 4 1/2	1.0	1.80
#	3/4 x 5	1.0	2.25
#	1x6	1.2	6.45

#Available from UFCO Only.

### ORDERING INFORMATION FOR MJ T-BOLTS & NUTS

Pipe Size	TYLER Bolt Size	UNION Bolt Size	Quantity Required
3	5/8 x 3	5/8 x 3	4
4	3/4 x 3 1/2	3/4 x 3 1/2	4
6	3/4 x 3 1/2	3/4 x 3 1/2	6
8	3/4 x 3 1/2	3/4 x 4	6
10	3/4 x 3 1/2	3/4 x 4	8
12	3/4 x 3 1/2	3/4 x 4	8
14	3/4 x 4	3/4 x 4 1/2	10
16	3/4 x 4	3/4 x 4 1/2	12
18	3/4 x 4	3/4 x 4 1/2	12
20	3/4 x 4	3/4 x 4 1/2	14
24	3/4 x 4 1/2	3/4 x 5	16

# COMPACT & FULL BODY

Tyler/Union MJ Tapping Sleeves

LP-5041

## MJ COMPACT

UPC #	Ship Code	Size	List Price	Weight	UPC #	Ship Code	Size	List Price	Weight
-------	-----------	------	------------	--------	-------	-----------	------	------------	--------

### MJ TAPPING SLV FOR DI PIPE COMPACT

377122	S	6x4	\$595.00	111
377139	S	6	595.00	113
377146	S	8x4	735.00	142
377153	S	8x6	735.00	113
377160	S	8	790.00	154
377177	S	10x4	1448.00	194
377184	S	10x6	1448.00	201
377191	S	10x8	1540.00	215
377207	S	10	1567.00	222
377214	S	12x4	1448.00	239
377221	S	12x6	1448.00	240
377238	S	12x8	1540.00	246
377245	S	12x10	1784.00	287
377252	S	12	1834.00	327

### EXTRA PARTS

#### SIDE GASKET 1/2X1/2X1/2

085133	S	6	\$8.75
085133	S	8	8.75
085133	S	10	8.75
085133	S	12	8.75

#### GASKET D.I.

085058	S	6	\$40.00
085065	S	8	54.00
085072	S	10	107.00
085089	S	12	125.00

#### GLAND D.I. COMPACT

052197	N	6	\$50.00	16
052203	N	8	70.00	19
052210	N	10	118.00	32
052227	N	12	172.00	34

**Tapping Sleeves &  
Tapping Sleeve Components  
are available from Tyler Pipe Only.**

## MJ FULL BODY

UPC #	Ship Code	Size	List Price	Weight	UPC #	Ship Code	Size	List Price	Weight
-------	-----------	------	------------	--------	-------	-----------	------	------------	--------

### MJ TAPPING SLV FOR DI PIPE FULL BODY

084211	S	6x4	\$684.00	220
084228	S	6	684.00	225
084235	S	8x4	845.00	275
084242	S	8x6	845.00	280
084259	S	8	909.00	295
084266	S	10x4	1665.00	388
084273	S	10x6	1665.00	392
084280	S	10x8	1771.00	455
084297	S	10	1802.00	470
084303	S	12x4	1665.00	469
084310	S	12x6	1665.00	471
084327	S	12x8	1771.00	482
084334	S	12x10	2052.00	595
084341	S	12	2109.00	605

### EXTRA PARTS

#### SIDE GASKET 1/2X1/2X1/2

085133	S	6	\$8.75
085133	S	8	8.75
085133	S	10	8.75
085133	S	12	8.75

#### GASKET D.I.

085058	S	6	\$40.00
085065	S	8	54.00
085072	S	10	107.00
085089	S	12	125.00

#### GLAND D.I. FULL BODY

084938	N	6	\$64.00	25
084945	N	8	85.00	29
084952	N	10	169.00	53
084969	N	12	198.00	58

**Tapping Sleeves &  
Tapping Sleeve Components  
are available from Tyler Pipe Only.**

S = From Stock to 2 weeks      N = Non-Stock; Check for availability.

# MJ FULL BODY

## LP-5041

## Tyler/Union D.I. C110 Mechanical Joint Fittings

UPC #	Ship Code	Size	Less Accessories	With Accessories	Weight	UPC #	Ship Code	Size	Less Accessories	With Accessories	Weight
-------	-----------	------	------------------	------------------	--------	-------	-----------	------	------------------	------------------	--------

### 90° (1/4) MJ BEND

055143	S	2	\$129.00	\$155.00	16
055167	S	3	104.00	138.00	35
055181	S	4	160.00	200.00	55
055204	S	6	215.00	275.00	85
055228	S	8	312.00	382.00	125
055242	S	10	477.00	559.00	190
055266	S	12	628.00	728.00	255
055280	S	14	1062.00	1236.00	380
055303	S	16	1279.00	1479.00	490
055327	S	18	1952.00	2282.00	602
055341	S	20	3141.00	3557.00	862
055365	S	24	4161.00	4647.00	1423
055389	S	30	7853.00	9231.00	1942
365686#	S	36	11872.00	13448.00	2629

### 45° (1/8) MJ BEND

056348	S	2	\$115.00	\$141.00	16
056362	S	3	93.00	127.00	30
056386	S	4	145.00	185.00	50
056409	S	6	195.00	255.00	75
056423	S	8	274.00	344.00	110
056447	S	10	399.00	481.00	155
056461	S	12	528.00	628.00	215
056485	S	14	854.00	1028.00	311
056508	S	16	1299.00	1499.00	380
056522	S	18	1504.00	1834.00	531
056546	S	20	2277.00	2693.00	605
056560	S	24	3011.00	3497.00	1099
056584#	S	30	6258.00	7636.00	1447
365693#	S	36	9707.00	11283.00	2435

### 22 1/2° (1/16) MJ BEND

057062	S	3	\$95.00	\$129.00	30
057086	S	4	148.00	188.00	50
057109	S	6	199.00	259.00	77
057123	S	8	274.00	344.00	110
057147	S	10	414.00	496.00	160
057161	S	12	532.00	632.00	221
057185	N	14	908.00	1082.00	300
057208	S	16	1162.00	1362.00	391
057222	S	18	1557.00	1887.00	527
057246#	S	20	2316.00	2732.00	611
057260	S	24	3265.00	3751.00	986
057284	S	30	6475.00	7853.00	1898
365709#	S	36	10091.00	11667.00	2372

# Mfg. @ UFCO or Clow

### 11 1/4° (1/32) MJ BEND

057727	N	3	\$96.00	\$130.00	30
057741	S	4	150.00	190.00	50
057765	S	6	199.00	259.00	75
057789	S	8	274.00	344.00	104
057802	S	10	414.00	496.00	160
057826	S	12	542.00	642.00	221
057840	N	14	908.00	1082.00	305
057864	S	16	1162.00	1362.00	391
057888	N	18	1557.00	1887.00	525
057901	S	20	2335.00	2751.00	605
057925	S	24	3265.00	3751.00	996
057949	S	30	6475.00	7853.00	1410
365716#	N	36	10091.00	11667.00	2397

### 90° (1/4) MJxPE BEND

055402	N	3	\$121.00	\$138.00	36
055426	S	4	186.00	206.00	53
055440	S	6	270.00	300.00	80
055464	S	8	395.00	430.00	119
055488	N	10	632.00	673.00	181
055501	S	12	830.00	880.00	252
055549#	N	16	2451.00	2551.00	470
055563	N	18	2871.00	3036.00	600
055587	N	20	4239.00	4447.00	775
055600	N	24	6028.00	6271.00	1301
055624	N	30	9839.00	10528.00	1920
365723#	N	36	14439.00	15227.00	2310

### 45° (1/8) MJxPE BEND

056614	S	4	\$170.00	\$190.00	45
056638	S	6	235.00	265.00	70
056652	S	8	347.00	382.00	111
056676	N	10	517.00	558.00	167
056690	S	12	691.00	741.00	218
056737	N	16	1987.00	2087.00	360
056751#	N	18	2128.00	2293.00	455
056775#	N	20	3457.00	3665.00	664
056799	N	24	3948.00	4191.00	825
056812	N	30	7811.00	8500.00	1510
365730#	N	36	11955.00	12743.00	1930

### 22 1/2° (1/16) MJxPE BEND

057345	N	6	\$235.00	\$265.00	70
057369	N	8	347.00	382.00	109
057383	N	10	520.00	561.00	163
057406	N	12	703.00	753.00	224
057444	N	16	1988.00	2088.00	360
057468	N	18	2176.00	2341.00	455
057482#	N	20	2751.00	2959.00	575
057505	N	24	4020.00	4263.00	930
057529	N	30	7939.00	8628.00	1540
365747#	N	36	12286.00	13074.00	1970

# Mfg. @ UFCO or Clow



# MJ FULL BODY

## LP-5041

## Tyler/Union D.I. C110 Mechanical Joint Fittings

UPC #	Ship Code	Size	Less Accessories	With Accessories	Weight	UPC #	Ship Code	Size	Less Accessories	With Accessories	Weight
-------	-----------	------	------------------	------------------	--------	-------	-----------	------	------------------	------------------	--------

### MJ TEE (Con't)

365785#	N	36x8	\$10586.00	\$12197.00	2816
365792#	N	36x10	10645.00	12262.00	2535
365808#	N	36x12	12218.00	13844.00	2550
365815#	N	36x14	10767.00	12430.00	2570
365822#	S	36x16	12349.00	14025.00	2585
365839#	N	36x18	10854.00	12595.00	2610
365846#	N	36x20	12521.00	14305.00	2635
365853#	N	36x24	12791.00	14610.00	2792
365860#	N	36x30	14942.00	17207.00	3545
365877#	S	36	17978.00	20342.00	3982

### MJxPExMJ TEE

059684	N	4	\$371.00	\$411.00	75
059721	N	6	475.00	535.00	120
059783	N	8x6	673.00	738.00	170
059806	S	8	701.00	771.00	180
059844	N	10	1065.00	1147.00	310
059868	N	12x4	1352.00	1422.00	315
059882	N	12x6	1397.00	1477.00	325
059905	N	12x8	1461.00	1546.00	340
059929	N	12x10	1676.00	1767.00	390
059943	N	12	1762.00	1862.00	410

### MJxFE TEE

060109	N	4x2	\$342.00	\$382.00	49
060123	N	4	292.00	352.00	76
060185	N	6x4	362.00	422.00	109
060208	S	6	426.00	486.00	115
060246	S	8x4	590.00	660.00	150
060260	S	8x6	542.00	612.00	160
060284	S	8	702.00	772.00	194
060307	N	10x4	907.00	989.00	229
060321	S	10x6	775.00	857.00	264
060345	N	10x8	826.00	908.00	245
060369	N	12x4	1332.00	1432.00	323
060383	S	12x6	954.00	1054.00	315
060406	S	12x8	1216.00	1316.00	372
060444	S	12	1877.00	1977.00	405
060543#	N	16x4	2852.00	3052.00	620
060567#	S	16x6	3002.00	3202.00	605
060581#	N	16x8	3043.00	3243.00	615
060604#	N	16x12	3226.00	3426.00	651
060642#	N	16	3620.00	3820.00	730
060666	N	18x6	3182.00	3512.00	707
060680	N	18x8	3230.00	3560.00	675
060703	S	18x12	3103.00	3433.00	705
060741	N	18	5035.00	5365.00	915
060789	N	20x8	3676.00	4092.00	835
060840	N	20	6410.00	6826.00	1165
060864	N	24x6	6061.00	6547.00	1125
060888	S	24x8	5986.00	6472.00	1242
333203#	N	24x12	5263.00	5749.00	1165
060901	N	24	8077.00	8563.00	1795
060963	N	30	18463.00	19841.00	3080

# Mfg. @ UFCO or Clow

### MJxFE TEE (Con't)

365884#	N	36x6	\$20251.00	\$21827.00	2430
365891#	N	36x12	22164.00	23740.00	2550
365907#	N	36x16	24048.00	25624.00	2450
365914#	N	36x24	27221.00	28797.00	2660

### MJxSWIVEL TEE\*\* (with Swivel Gland)

107927	S	6	\$517.00	\$577.00	141
107941	S	8x6	542.00	612.00	191
107965	N	8	617.00	687.00	210
107989	S	10x6	888.00	970.00	267
108023	S	12x6	926.00	1026.00	346
108061#	N	16x6	1668.00	1868.00	643
108085#	N	16x8	2255.00	2455.00	649
108160#	N	30x6	9432.00	10810.00	2070

### SWIVELxSWIVEL HYDRANT ELL\*\*

#### (With Two Swivel Glands)

107880†	S	6	N/A	\$382.00	106
107903†	N	8	N/A	599.00	156

### SWIVELxSOLID HYDRANT ADAPTER\*\*

#### (With Swivel Gland)

108269	S	4x13	\$254.00	N/A	61
108306†	S	6x12	301.00	N/A	84
108368†	S	6x18	372.00	N/A	91
108382†	S	6x24	432.00	N/A	105
108405	S	6x36	552.00	N/A	125
108429†	S	8x13	437.00	N/A	126
108467	S	12x13	665.00	N/A	220

† Available from Tyler Only

### MJ CROSS

062905#	N	6	\$534.00	\$654.00	160
062929#	N	8x4	616.00	726.00	185
062943#	S	8x6	709.00	839.00	205
062967#	S	8	851.00	991.00	255
377993#	N	10x6	950.00	1092.00	285
063001	N	10x8	1033.00	1185.00	316
063025	N	10	1267.00	1431.00	380
063049	N	12x6	1201.00	1361.00	361
063063	N	12x8	1284.00	1454.00	371
063087	S	12	1650.00	1850.00	486
063148#	N	14x8	1861.00	2105.00	550
378006#	N	14	2507.00	2855.00	779
063162#	N	16x6	2091.00	2351.00	650
063186#	N	16x8	2433.00	2703.00	675
063247	N	16	2879.00	3279.00	895
063285	S	18x8	2349.00	2749.00	775
063308	N	18x10	2524.00	2936.00	760
063322	N	18x12	2698.00	3128.00	860
063346	N	18	3641.00	4301.00	1130
063360	S	20x8	2870.00	3356.00	951
063407	S	20x12	3091.00	3607.00	955
063445	N	20x16	4016.00	4632.00	1245

# Mfg. @ UFCO or Clow

# MJ FULL BODY

## Tyler/Union D.I. C110 Mechanical Joint Fittings

LP-5041

UPC #	Ship Code	Size	Less Accessories	With Accessories	Weight	UPC #	Ship Code	Size	Less Accessories	With Accessories	Weight
-------	-----------	------	------------------	------------------	--------	-------	-----------	------	------------------	------------------	--------

### MJ CROSS (Con't)

063483	S	20	\$4561.00	\$5393.00	1448
063506	S	24x8	4274.00	4830.00	1200
063520	S	24x12	4504.00	5090.00	1326
063568	N	24x16	4916.00	5602.00	1375
063582	N	24x20	6897.00	7799.00	1965
063605	N	24	7626.00	8598.00	2155
063629	N	30x6	10032.00	11470.00	2085
039389#	N	30x12	10134.00	11612.00	2165
063643#	N	30x24	14648.00	16512.00	3180
063667#	N	30	16545.00	19301.00	3640
365921#	N	36	27670.00	30822.00	4370

# Mfg. @ UFCO or Clow

### MJxFE CROSS

063704	S	6	\$711.00	\$771.00	141
063728	S	8x6	998.00	1068.00	182
063742	S	8	1004.00	1074.00	245
063766	N	10	1588.00	1670.00	360
063780	N	12x6	1579.00	1679.00	367
063803	S	12x8	1677.00	1777.00	373
063827	S	12	2111.00	2211.00	476
063841#	N	16x8	2958.00	3158.00	655
063865	N	16	3792.00	3992.00	875

### MJ WYE (Not included in AWWA Standard C110)

061441#	N	3	\$414.00	\$465.00	60
061489#	S	4	402.00	462.00	90
061502#	N	6x4	524.00	604.00	130
061526#	S	6	584.00	674.00	145
061540#	N	8x4	765.00	855.00	190
061564#	S	8x6	826.00	926.00	205
061588#	S	8	925.00	1030.00	230
061625#	N	10x6	1348.00	1460.00	330
061649#	N	10x8	1247.00	1364.00	310
061663#	N	10	1750.00	1873.00	435
061724#	N	12x8	2032.00	2167.00	505
061762#	N	12	1973.00	2123.00	490
061786#	N	14x6	3467.00	3671.00	626
061984#	N	16	5975.00	6275.00	1079
062004	S	18x8	4137.00	4502.00	1073
062028	N	18x10	4291.00	4662.00	975
062042	N	18x12	4753.00	5133.00	1015
062080	N	18x16	4996.00	5426.00	1135
062103	S	18	5283.00	5778.00	1200
062127	N	20x10	5371.00	5828.00	1220
062141	N	20x12	5546.00	6012.00	1260
062189	N	20x16	6242.00	6758.00	1375
062226	N	20	7651.00	8275.00	1525
371182*	S	24	9553.00	10282.00	2372
244707	N	30	24677.00	26744.00	3670

# Mfg. @ UFCO or Clow

### MJ OFFSET

071037	S	4x12	\$424.00	\$464.00	85
071051	S	4x18	517.00	557.00	105
071075	S	4x24	665.00	705.00	126
071099	S	6x6	522.00	582.00	114
071112	S	6x12	587.00	647.00	135
071136	S	6x18	683.00	743.00	165
071150	S	6x24	817.00	877.00	165
071174	S	8x6	732.00	802.00	160
071198	S	8x12	902.00	972.00	200
071211	S	8x18	993.00	1063.00	245
071235	S	8x24	1237.00	1307.00	280
071259	S	10x12	1251.00	1333.00	280
071273	N	10x18	1496.00	1578.00	340
071297	S	10x24	1775.00	1857.00	420
071334	S	12x12	1689.00	1789.00	420
071358	S	12x18	2049.00	2149.00	520
071372	S	12x24	2551.00	2651.00	640
071419	N	16x12	3792.00	3992.00	690
071433	N	16x18	4484.00	4684.00	850
071457	S	20x12	4482.00	4898.00	1025
071471	S	20x18	5563.00	5979.00	1275

### MJxPE OFFSET

071495	N	4x6	\$504.00	\$524.00	70
071518	S	4x12	516.00	536.00	80
071556	S	4x24	811.00	831.00	115
071570	S	6x6	635.00	665.00	105
071594	S	6x12	587.00	617.00	130
071617	S	6x18	683.00	713.00	160
071631	S	6x24	817.00	847.00	160
071655	N	8x6	888.00	923.00	155
071679	S	8x12	1096.00	1131.00	195
071693	S	8x18	1208.00	1243.00	240
071716	S	8x24	1502.00	1537.00	275
071730	N	10x12	1522.00	1563.00	280
071754	N	10x18	1820.00	1861.00	340
071792	S	12x12	2053.00	2103.00	420
071815	S	12x18	2492.00	2542.00	520
071839	S	12x24	3103.00	3153.00	630
071877	N	16x18	4484.00	4584.00	830

### SOLID SLEEVE STANDARD SHORT

068730	S	2	\$101.00	\$127.00	13
068761	S	4	124.00	164.00	35
068785	S	6	170.00	230.00	47
068808	S	8	243.00	313.00	65
068822	S	10	309.00	391.00	85
068846	S	12	415.00	515.00	120
068884	N	16	789.00	989.00	206
068907	N	18	1149.00	1479.00	246
068921	N	20	1293.00	1709.00	369
068945	N	24	1937.00	2423.00	360
068969#	S	30	2991.00	4369.00	745
366010#	S	36	4230.00	5806.00	1047

S = From Stock to 2 weeks      N = Non-Stock; Check for availability.

# MJ FULL BODY

## LP-5041

## Tyler/Union D.I. C110 Mechanical Joint Fittings

UPC #	Ship Code	Size	Less Accessories	With Accessories	Weight	UPC #	Ship Code	Size	Less Accessories	With Accessories	Weight
-------	-----------	------	------------------	------------------	--------	-------	-----------	------	------------------	------------------	--------

### SOLID SLEEVE STANDARD LONG

382850#	S	2	\$117.00	\$143.00	18
068754	S	3	136.00	170.00	36
068778	S	4	143.00	183.00	47
068792	S	6	210.00	270.00	65
068815	S	8	285.00	355.00	85
068839	S	10	318.00	400.00	126
068853	S	12	478.00	578.00	145
068891	S	16	996.00	1196.00	275
068914	S	18	1440.00	1770.00	362
068938	S	20	1605.00	2021.00	404
068952	S	24	2084.00	2570.00	540
068976#	S	30	4655.00	6033.00	1085
366027#	S	36	6623.00	8199.00	1502

### SOLID SLEEVE DUAL PURPOSE SHORT

068990	S	4	\$179.00	\$235.00	33
069010	S	6	213.00	285.00	46
069034	N	8	290.00	394.00	65

### SOLID SLEEVE DUAL PURPOSE LONG

069003	S	4	\$209.00	\$265.00	44
069027	S	6	272.00	344.00	63
069041	S	8	351.00	455.00	85
069058	S	10	473.00	601.00	111
068983	S	*12	N/A	774.00	221
069089	S	*16	N/A	1813.00	385

\*With Dual Purpose Accessories - Assembled

### \*MJxPE DUAL-PURPOSE CUTTING-IN SLEEVE W/CUP POINT SET SCREWS

069256	N	4	N/A	\$433.00	72
069263	S	6	N/A	517.00	98
069270	S	8	N/A	680.00	136
069287	N	10	N/A	867.00	175
069294	N	12	N/A	1152.00	235

\*With Dual Purpose Accessories - Assembled

# Mfg. @ UFCO or Clow

### \*MJxPE DUAL-PURPOSE

#### CUTTING-IN SLEEVE

069140	S	4	N/A	\$368.00	72
069157	S	6	N/A	449.00	98
069164	S	8	N/A	609.00	136
069171	S	10	N/A	801.00	175
069188	S	12	N/A	1084.00	235

\*With Dual Purpose Accessories - Assembled

#### \*SPLIT REPAIR SLEEVE

333432	N	4	N/A	\$562.00	115
332855	N	6	N/A	753.00	165
333425	N	8	N/A	934.00	215

\*Includes Accessories

### MJ REDUCER

063902	S	3x2	\$128.00	\$158.00	25
063926	S	4x2	112.00	145.00	30
063940	S	4x3	124.00	161.00	57
063964	S	6x2	170.00	213.00	45
063988	S	6x3	152.00	199.00	55
064008	S	6x4	172.00	222.00	60
064022	S	8x3	237.00	289.00	75
064046	S	8x4	222.00	277.00	84
064060	S	8x6	251.00	316.00	95
064107	S	10x6	307.00	378.00	115
064121	S	10x8	364.00	440.00	142
064145	N	12x4	362.00	432.00	139
064169	S	12x6	403.00	483.00	148
064183	S	12x8	430.00	515.00	173
064206	S	12x10	507.00	598.00	194
064305	N	16x6	766.00	896.00	250
064329	N	16x8	828.00	963.00	288
064343	N	16x10	917.00	1058.00	300
064367	S	16x12	996.00	1146.00	330
064381	N	16x14	1134.00	1321.00	370
064404	N	18x8	1222.00	1422.00	320
064428	N	18x10	1348.00	1554.00	388
064442	N	18x12	1384.00	1599.00	380
064466	N	18x14	1446.00	1698.00	450
064480	N	18x16	1499.00	1764.00	476
064503	N	20x10	1527.00	1776.00	410
064527	S	20x12	1575.00	1833.00	515
064565	S	20x16	1817.00	2125.00	578
064589	N	20x18	2043.00	2416.00	575
064602	N	24x12	2191.00	2484.00	610
064640	N	24x16	2514.00	2857.00	705
064664	N	24x18	2686.00	3094.00	789
064688	N	24x20	2891.00	3342.00	815
243991#	N	30x16	3852.00	4641.00	1150
064701#	S	30x18	4014.00	4868.00	1160
064725#	S	30x20	4278.00	5175.00	1225
064749#	S	30x24	4792.00	5724.00	1360
365938#	S	36x20	7433.00	8429.00	1495
365945#	S	36x24	7712.00	8743.00	1580
365952#	S	36x30	8842.00	10319.00	1919

# MJ FULL BODY

## Tyler/Union D.I. C110 Mechanical Joint Fittings

LP-5041

UPC #	Ship Code	Size	Less Accessories	With Accessories	Weight	UPC #	Ship Code	Size	Less Accessories	With Accessories	Weight
-------	-----------	------	------------------	------------------	--------	-------	-----------	------	------------------	------------------	--------

### PEXPE REDUCER

066262	N	4x3	\$117.00	N/A	34
066309	N	6x4	186.00	N/A	57
066361	S	8x6	287.00	N/A	96
066385	N	10x8	427.00	N/A	135
066422	S	12x8	560.00	N/A	168
066446	N	12x10	683.00	N/A	185
066729	N	30x16	5435.00	N/A	1015
066743#	N	30x18	5629.00	N/A	1025
066767#	N	30x20	5991.00	N/A	1090
066781#	N	30x24	6676.00	N/A	1215
365969#	N	36x24	10109.00	N/A	1389
365976#	N	36x30	11534.00	N/A	1585

### SMALL END BELL (SEB) REDUCER

064763	S	3x2	\$118.00	\$131.00	24
064787	S	4x2	126.00	139.00	30
064800	S	4x3	136.00	153.00	38
064824	S	6x2	170.00	183.00	50
064848	N	6x3	176.00	193.00	50
064862	S	6x4	193.00	213.00	60
064886	S	8x3	225.00	242.00	70
064909	S	8x4	255.00	275.00	82
064923	S	8x6	282.00	312.00	90
064961	N	10x6	318.00	348.00	116
064985	N	10x8	354.00	389.00	135
065005	N	12x4	361.00	381.00	131
065029	N	12x6	415.00	445.00	150
065043	S	12x8	442.00	477.00	168
065067	N	12x10	524.00	565.00	190
065180	N	16x8	877.00	912.00	248
065227	S	16x12	1224.00	1274.00	304
065289	N	18x12	1359.00	1409.00	355
065364	N	20x12	1890.00	1940.00	420
065401	N	20x16	2178.00	2278.00	525
065449	N	24x12	2515.00	2565.00	570
065487	N	24x16	2546.00	2646.00	665
065500	N	24x18	3039.00	3204.00	720
065524	N	24x20	3318.00	3526.00	775
065548#	N	30x16	4915.00	5015.00	1040
065562	S	30x18	4485.00	4650.00	1050
065586#	N	30x20	5471.00	5679.00	1120
065609#	N	30x24	6146.00	6389.00	1255
052234#	N	36x16	7670.00	7770.00	1240
365983#	N	36x30	11174.00	11863.00	1721

### MJxFIPT ECCENTRIC REDUCER

373308#	S	6x2	\$446.00	\$476.00	51
373315#	S	8x2	676.00	711.00	71

# Mfg. @ UFCO or Clow

S = From Stock to 2 weeks

N = Non-Stock; Check for availability.

### LARGE END BELL (LEB) REDUCER

065623	N	3x2	\$125.00	\$142.00	20
287452	S	4x2	170.00	190.00	31
065647	N	4x3	152.00	172.00	37
065661	S	6x2	178.00	208.00	47
065685	N	6x3	192.00	222.00	55
065708	N	6x4	193.00	223.00	60
065722	N	8x3	253.00	288.00	70
065746	N	8x4	291.00	326.00	84
065760	S	8x6	292.00	327.00	93
065807	N	10x6	398.00	439.00	117
065821	N	10x8	449.00	490.00	130
065845	N	12x6	492.00	542.00	145
065869	N	12x8	438.00	488.00	165
065883	N	12x10	626.00	676.00	178
065968	N	16x12	1445.00	1545.00	325
066101	N	20x16	2698.00	2906.00	510
066125	N	24x16	3872.00	4115.00	753
066163	N	24x20	3757.00	4000.00	785
066200#	N	30x24	6829.00	7518.00	1320
365990#	N	36x20	9941.00	10729.00	1466
366003#	N	36x24	10809.00	11597.00	1535

### MJxFE REDUCER

066804	S	4x3	\$200.00	\$220.00	35
066842	S	6x3	232.00	262.00	50
066866	S	6x4	251.00	281.00	62
066880	S	8x4	329.00	364.00	75
066903	S	8x6	371.00	406.00	82
066941	S	10x6	476.00	517.00	100
066965	S	10x8	480.00	521.00	130
067009	S	12x6	586.00	636.00	130
067023	S	12x8	672.00	722.00	190
067047	S	12x10	773.00	823.00	185
067061	N	14x6	904.00	991.00	195
067085#	N	14x8	980.00	1067.00	240
067108#	N	14x12	1179.00	1266.00	240
067160	N	16x12	1421.00	1521.00	380
067184	N	18x8	1436.00	1601.00	300
067207	N	18x12	1723.00	1888.00	405
067221	N	18x16	2128.00	2293.00	445
067269	N	20x16	2633.00	2841.00	510
067283	N	24x12	2704.00	2947.00	455

### FEXMJ REDUCER

067344	N	4x3	\$224.00	\$241.00	34
067368	S	6x4	291.00	311.00	53
067382	S	8x4	391.00	411.00	73
067405	S	8x6	417.00	447.00	84
067429	N	10x6	465.00	495.00	118
067443	S	10x8	591.00	626.00	130
067467	N	12x6	676.00	706.00	145
067481	S	12x8	732.00	767.00	170
067504	S	12x10	1027.00	1068.00	188
067566	N	16x12	1588.00	1638.00	305

# Mfg. @ UFCO or Clow

# MJ FULL BODY

## LP-5041

## Tyler/Union D.I. C110 Mechanical Joint Fittings

UPC #	Ship Code	Size	Less Accessories	With Accessories	Weight	UPC #	Ship Code	Size	Less Accessories	With Accessories	Weight
-------	-----------	------	------------------	------------------	--------	-------	-----------	------	------------------	------------------	--------

### PLUG SOLID

069324	S	2	\$39.00	N/A	5
069331	S	3	39.00	N/A	9
069348	S	4	52.00	N/A	13
069355	S	6	72.00	N/A	15
069362	S	8	120.00	N/A	45
069379	S	10	160.00	N/A	66
069386	S	12	212.00	N/A	93
069393#	N	14	416.00	N/A	120
069409#	N	16	526.00	N/A	147
069416	N	18	698.00	N/A	192
069423	S	20	778.00	N/A	219
069430	S	24	1329.00	N/A	338
069447#	S	30	2397.00	N/A	660
366034#	S	36	3928.00	N/A	838

### PLUG TAPPED (2-inch IPT Only)

#### SEE NOTE

069461	S	2	\$64.00	N/A	5
069485	N	3	66.00	N/A	9
069515	S	4	74.00	N/A	15
069577	S	6	97.00	N/A	25
069614	S	8	143.00	N/A	45
069638	N	10	185.00	N/A	66
069669	N	12	237.00	N/A	79
069676#	N	14	534.00	N/A	120
069683#	N	16	643.00	N/A	147
382867#	N	18	815.00	N/A	190
069690	N	20	1093.00	N/A	219
382874#	N	24	1588.00	N/A	350
069713#	N	30	2654.00	N/A	660
382881#	N	36	4268.00	N/A	838

### TYTON PLUGS / SOLID

#### (with set screws)

333692#	S	4	\$88.00	N/A	18
286745#	S	6	141.00	N/A	25
286752#	S	8	221.00	N/A	46
333708#	S	10	309.00	N/A	70
351634#	S	12	416.00	N/A	95

### TYTON PLUGS / TAPPED (2-inch IPT)

#### with set screws SEE NOTE

351641#	N	4	\$129.00	N/A	18
287056#	S	6	183.00	N/A	25
332886#	S	8	268.00	N/A	46
351658#	N	10	355.00	N/A	70
286691#	S	12	493.00	N/A	95

# Mfg. @ UFCO or Clow

S = From Stock to 2 weeks

N = Non-Stock; Check for availability.

### PUSH-IN PLUGS / SOLID

071952	N	14	\$286.00	N/A	110
071969	S	16	407.00	N/A	145
071976	N	18	688.00	N/A	180
071983	N	20	842.00	N/A	220
071990	S	24	1207.00	N/A	315

### PUSH-IN PLUGS / TAPPED (2-inch IPT)

#### SEE NOTE

072065	N	14	\$317.00	N/A	101
072072	S	16	437.00	N/A	137
072089	N	18	807.00	N/A	177
356394	N	20	960.00	N/A	220
072096	N	24	1324.00	N/A	315

### CAP SOLID

069737	S	2	\$40.00	\$53.00	6
069744#	S	3	38.00	55.00	12
069751	S	4	63.00	83.00	18
069768	S	6	83.00	113.00	34
069775	S	8	105.00	140.00	46
069782	S	10	149.00	190.00	58
069799	S	12	185.00	235.00	86
069812	S	16	548.00	648.00	178
069829	S	18	785.00	950.00	215
069836	S	20	971.00	1179.00	250
069843	S	24	1590.00	1833.00	370
069850#	S	30	2662.00	3351.00	680
366041#	S	36	4299.00	5087.00	850

### CAP TAPPED (2-inch IPT) SEE NOTE

302537	N	2	\$76.00	\$89.00	5
069867	S	3	67.00	84.00	10
069904#	S	4	87.00	107.00	18
069959	S	6	104.00	134.00	32
070009	S	8	129.00	164.00	48
070054	N	10	173.00	214.00	58
070061	S	12	209.00	259.00	86
070108	N	16	585.00	685.00	178
070122	N	18	902.00	1067.00	215
070146	N	20	1089.00	1297.00	250
070160	N	24	1708.00	1951.00	370
070177#	N	30	2740.00	3429.00	680
366058#	N	36	4458.00	5246.00	850

### MJ TEE TAPT (2-inch IPT) SEE NOTE

067962	N	3	\$149.00	\$183.00	35
068044	S	4	172.00	212.00	45
068167	S	6	218.00	278.00	70
068280	S	8	274.00	344.00	95
068365	N	10	379.00	461.00	130
068426	N	12	455.00	555.00	180

**NOTE - For Tapped Tees, Plugs and Caps Only:** We stock 2" IPT Taps only. For all tap sizes other than 2" IPT up to a 4" maximum a \$75.00 NET CHARGE will be added to the corresponding 2" tapped fitting cost. Special tapped fittings are non-cancellable and non-returnable. Contact CSR for details

# MJ FULL BODY

## Tyler/Union D.I. C110 Mechanical Joint Fittings

LP-5041

UPC #	Ship Code	Size	Less Accessories	With Accessories	Weight	UPC #	Ship Code	Size	Less Accessories	With Accessories	Weight
-------	-----------	------	------------------	------------------	--------	-------	-----------	------	------------------	------------------	--------

### MJxFE ADAPTER 8" Laying Length

070252	N	3	\$200.00	\$217.00	30
070276	S	4	150.00	170.00	42
070290	S	6	217.00	247.00	62
070313	S	8	292.00	327.00	88
070337	S	10	377.00	418.00	120
070351	S	12	452.00	502.00	150
070399	N	16	1183.00	1283.00	260
070412	S	18	1541.00	1706.00	305
070436	S	20	1607.00	1815.00	382
070450	S	24	2491.00	2734.00	495

### MJxFE ADAPTER 10" Laying Length

070474	N	30	\$6760.00	\$7449.00	760
102786	N	36	6978.00	7766.00	1070

### MJ GLAND ONLY

052999	S	2	\$8.60	N/A	3
053002	S	3	7.70	N/A	4
053019	S	4	10.10	N/A	6
053026	S	6	18.50	N/A	10
053033	S	8	21.10	N/A	16
053040	S	10	25.20	N/A	19
053057	S	12	30.70	N/A	26
053064#	S	14	63.50	N/A	34
053071#	S	16	72.80	N/A	54
053088#	S	18	135.70	N/A	52
053095#	S	20	173.20	N/A	73
053101#	S	24	200.30	N/A	91
053118	S	30	542.00	N/A	90
369479#	S	36	613.70	N/A	127

### MJ COMPLETE ACCESSORY PACK/ STANDARD

086260	S	2	\$13.00	N/A	5
086277	S	3	17.00	N/A	6
086284	S	4	20.00	N/A	10
086291	S	6	30.00	N/A	15
086307	S	8	35.00	N/A	22
086314	S	10	41.00	N/A	30
086321	S	12	50.00	N/A	36
086338	S	14	87.00	N/A	44
086345	S	16	100.00	N/A	64
086352	S	18†	165.00	N/A	65
086369	S	20†	208.00	N/A	85
086376	S	24†	243.00	N/A	105
086383	S	30†	689.00	N/A	134
369462#	N	36†	788.00	N/A	180

† Not Packaged

### MJ ACCESSORY PACK/ TRANSITION GASKET

085409	S	2	\$15.00	N/A	5
353553	S	3	18.00	N/A	6
353560	S	4	22.00	N/A	10
353577	S	6	35.00	N/A	15
353584	S	8	39.00	N/A	22
353591	S	10	49.00	N/A	30
353607	S	12	54.00	N/A	36

### MJ ACCESSORY/ DUAL-PURPOSE GLAND PACK

086390	S	4	\$28.00	N/A	13
086406	S	6	36.00	N/A	17
086413	S	8	52.00	N/A	24
086420	S	10	64.00	N/A	32

### MJ D.I. RETAINER GLAND ONLY\*\*

053774#	S	3	\$17.50	N/A	5
053781#	S	4	19.90	N/A	6
053798#	S	6	25.80	N/A	11
053804#	S	8	42.50	N/A	13
053811#	S	10	65.40	N/A	18
053828#	S	12	90.40	N/A	23
053835#	S	14	113.40	N/A	45
053842#	S	16	167.60	N/A	51
053859#	S	18	241.00	N/A	62
053866#	S	20	266.80	N/A	73
053873#	S	24	320.30	N/A	93

### D.I. RETAINER GLAND ACCESSORY PACK\*\*

365624	S	3	N/A	\$26.00	7
365631	S	4	N/A	28.00	9
365648	S	6	N/A	37.00	12
365655	S	8	N/A	57.00	17
365662	S	10	N/A	84.00	21
365679	S	12	N/A	110.00	23
085348	S	14†	N/A	137.00	54
085355	S	16†	N/A	195.00	65
085362	S	18†	N/A	270.00	76
085379	S	20†	N/A	301.00	95
085386	S	24†	N/A	359.00	120

† Not packaged

# Mfg. @ UFCO

\*\*Not included in AWWA C110

S = From Stock to 2 weeks      N = Non-Stock; Check for availability.

# MJ FULL BODY

## LP-5041

## Tyler/Union D.I. C110 Mechanical Joint Fittings

UPC #	Ship Code	Size	Less Accessories	With Accessories	Weight	UPC #	Ship Code	Size	Less Accessories	With Accessories	Weight
-------	-----------	------	------------------	------------------	--------	-------	-----------	------	------------------	------------------	--------

### MJ GASKET ONLY

053958	S	2	\$1.80	N/A
053965	S	3	1.80	N/A
053972	S	4	2.00	N/A
053989	S	6	2.60	N/A
053996	S	8	3.80	N/A
054009	S	10	4.50	N/A
054016	S	12	5.10	N/A
054023	S	14	7.40	N/A
054030	S	16	7.70	N/A
054047	S	18	9.60	N/A
054054	S	20	12.40	N/A
054061	S	24	13.60	N/A
054078	S	30	32.20	N/A
054085	S	36	34.60	N/A

### TRANSITION GASKET ONLY

054672	S	2	\$3.00	N/A
054689	S	3	3.20	N/A
054696	S	4	3.20	N/A
054702	S	6	4.50	N/A
054719	S	8	5.80	N/A
054726	S	10	7.00	N/A
054733	S	12	7.60	N/A

### ARMOR TIP GASKET ONLY

054115	S	4	\$11.50	N/A
054122	S	6	12.70	N/A
054139	S	8	14.10	N/A
054146	S	10	16.60	N/A
054153	S	12	18.60	N/A
054160	N	14	23.50	N/A
054177	S	16	24.70	N/A
054184	N	20	34.60	N/A
054191	S	24	48.20	N/A

### MJ SPLIT SWIVEL GLAND ONLY\*\* (ASSEMBLY)

108474	S	4	\$36.00	N/A	9
371120	S	6	41.00	N/A	17
108498	S	8	58.00	N/A	13
108511	S	12	108.00	N/A	33

### MJ SPLIT REPAIR GLAND ONLY\*\* (ASSEMBLY)

331070	S	4	\$34.00	N/A	8
331087	S	6	53.00	N/A	12
331094	S	8	64.00	N/A	20

### MJ CUTTING-IN SLEEVE GLAND ONLY\*\*

053316	S	4	\$21.00	N/A	10
053323	S	6	24.00	N/A	13
053330	S	8	36.00	N/A	20
053347	S	10	48.00	N/A	25
053354	S	12	57.00	N/A	30
053361	S	16	145.00	N/A	48

### MJ CUTTING-IN SLEEVE GLAND W/CUP POINT SET SCREWS\*\*

072102	S	4	\$57.00	N/A	10
072119	S	6	60.00	N/A	13
072126	S	8	72.00	N/A	20
072133	S	10	84.00	N/A	25
072140	S	12	92.00	N/A	30

\*\*Not included in AWWA C110

UNION FOUNDRY ORDERING INFORMATION FOR MJ T-BOLTS & NUTS		
Pipe Size	Bolt Size	Quantity Required
2	5/8x2 1/2	2
3	5/8x3	4
4	3/4x3 1/2	4
6	3/4x3 1/2	6
8	3/4x4	6
10	3/4x4	8
12	3/4x4	8
14	3/4x4 1/2	10
16	3/4x4 1/2	12
18	3/4x4 1/2	12
20	3/4x4 1/2	14
24	3/4x5	16
30	1x6	20
36	1x6	24

TYLER PIPE ORDERING INFORMATION FOR MJ T-BOLTS & NUTS		
Pipe Size	Bolt Size	Quantity Required
2	5/8x3	2
3	5/8x3	4
4	3/4x3 1/2	4
6	3/4x4	6
8	3/4x4	6
10	3/4x4	8
12	3/4x4	8
14	3/4x4 1/2	10
16	3/4x4 1/2	12
18	3/4x4 1/2	12
20	3/4x4 1/2	14
24	3/4x5	16
30	1x6	20
36	1x6	24

# MJ FULL BODY

## Tyler/Union D.I. C110 Mechanical Joint Fittings

LP-5041

### MJ D.I. ACCESSORY PACK LESS GLAND

UPC #	Ship Code	Size	Bolt/Nut Size	List Price	Weight
670610					
391838	N	3	5/8x3	\$10.00	2.0
391845	N	4	3/4x3 1/2	11.00	3.5
391852	N	6	3/4x3 1/2	14.00	5.5
391869	N	8	3/4x4 1/2	16.00	5.5
391876	N	10	3/4x4 1/2	20.00	7.0
391883	N	12	3/4x4 1/2	22.00	7.0
381890	N	14	3/4x5	32.00	10.5
391906	N	16	3/4x5	37.00	13.0

### COR-BLUE COATED STANDARD T-BOLTS (Sold in Full Boxes Only) (UPC # for 1 Bolt/Nut)

UPC #	Ship Code	Size	Box Quan.	Box Price	Box Weight	Price Each	Weight Each
670610							
055006	S	5/8 x 3	50	\$310.00	25.0	\$6.20	0.5
055013	S	3/4x3 1/2	225	1485.00	180.0	6.60	0.8
055020	S	3/4x4	200	1340.00	160.0	6.70	0.8
055037	S	3/4x4 1/2	175	1225.00	157.5	7.00	0.9

### ANTI-ROTATION T-BOLTS

UPC #	Ship Code	Size	Price Each	Weight Each
670610				
054986	S	3/4x3 1/2	\$3.30	0.8
054993	S	3/4x4	3.40	0.8
382768	S	3/4x4 1/2	3.70	1.0

### \*BAGGED VALVE MJ T-BOLTS & NUTS (with 2 Anti-Rotation Bolts)

UPC #	Ship Code	Bolt Size	Quan./Bag & Color	Wt. Per Bag	List Price Per Bag
670610					
244769	S	3/4x3 1/2	4 (Orange)	3.2	\$9.70
244783	S	3/4x3 1/2	6 (Orange)	4.7	12.80
244806	S	3/4x4	4 (Purple)	3.3	10.00
244820	S	1/2x4	6 (Purple)	5.0	13.30

\*Available from Tyler Pipe Only.

### \*BAGGED MJ T-BOLTS & NUTS

UPC #	Bolt Size	Quan./Bag & Color	Wt. Per Bag	List Price Per Bag
670610				
357247	5/8 x 3	4 (White)	1.8	\$6.70
357254	3/4x3 1/2	4 (Black)	3.1	6.70
357261	3/4x3 1/2	6 (Black)	4.6	10.10
357278	3/4x4	4 (Red)	3.2	7.00
357285	3/4x4	6 (Red)	4.9	10.40
357292	3/4x4 1/2	4 (Green)	3.5	7.30
357308	3/4x4 1/2	6 (Green)	5.2	11.00
357315	3/4x5	4 (Blue)	3.9	9.10
357322	1x6	4 (Yellow)	8.3	25.90

\*Available from Tyler Pipe Only.

### \*BAGGED STAINLESS STEEL MJ T-BOLTS & NUTS 316 Stainless Steel

UPC #	Ship Code	Bolt Size	Quan./Bag & Color	Wt. Per Bag	List Price Per Bag
670610					
097778	N	5/8x3	4 (Clear)	1.8	\$63.90
097792	S	3/4x3 1/2	4 (Clear)	3.1	67.60
097815	S	3/4x3 1/2	6 (Clear)	4.6	101.40
097877	S	3/4x4	4 (Clear)	3.2	70.00
097891	S	3/4x4	6 (Clear)	4.9	105.00
097839	N	3/4x4 1/2	4 (Clear)	3.5	73.00
097853	S	3/4x4 1/2	6 (Clear)	5.2	109.60
097914	N	3/4x5	4 (Clear)	3.9	76.10
097938	N	1x6	4 (Clear)	8.3	186.30

\*Available from Tyler Pipe Only.

### Boxed Sets of Bagged T-Bolts & Nuts

Six T-Bolts & Nuts per bag, bulk packed  
in wooden boxes or palletized

(Order from Tyler only)

BOXES					PALLETS		
Box UPC#	Bolt Size	Bags per Box	Price per Box	Wt. Lbs.	Sets per Pallet	Price per Pallet	Wt. Lbs.
670610							
361671	3/4x3 1/2	30	\$303.00	142	2160	\$3672.00	1674
362067	3/4x4	30	314.00	151	2160	3780.00	1728
362074	3/4x4 1/2	25	274.00	133	1800	3240.00	1575

### \*\*LOOSE MJ T-BOLTS & NUTS

	Bolt Size	Weight Each	List Price Each
#	5/8x2 1/2	0.5	\$1.70
#	5/8 x 3	0.8	1.70
#	3/4x3 1/2	0.8	1.70
#	3/4x4	0.8	1.75
#	3/4x4 1/2	1.0	1.80
#	3/4x5	1.0	2.25
#	1x6	1.2	6.45

\*\*Available from UFCO Only.

# COMPACT PUSH-ON

## LP-5041

## Tyler/Union C153 Union-Tite Ductile Iron Fittings

UPC #	Ship Code	Size	List Price	Weight	UPC #	Ship Code	Size	List Price	Weight
670610					670610				

### UT 90° (1/4) BENDS

333654	S	4	\$84.00	24
299813	S	6	122.00	51
332879	S	8	201.00	80
333685	S	10	321.00	121
333555	S	12	377.00	151
350767	S	14	868.00	254
350774	S	16	1037.00	328
363385	S	18	1846.00	482
363392	N	20	2222.00	340
363408	N	24	3720.00	674

### UT 11¼° (1/32) BENDS

350828	S	4	\$78.00	18
299790	S	6	114.00	40
286721	S	8	166.00	60
350835	S	10	227.00	77
299783	S	12	303.00	94
350842	N	14	687.00	113
351610	S	16	835.00	172
363477	S	18	1466.00	209
363484	N	20	1821.00	265

UPC #	Ship Code	Size	Pallet Quantity	Gasket Included	Weight
670610					
<b>VALU-PAK UT 90° (1/4) BEND</b>					
374732	S	4	60	\$4889.00	1440
374749	S	6	40	4734.00	2053
374756	S	8	21	4094.00	1673

### UT x FLG 90° (1/4) BENDS

363491	S	4	\$135.00	31
363507	S	6	178.00	49
363514	S	8	251.00	74
363521	S	10	463.00	130
363538	S	12	529.00	158
363545	N	14	1035.00	231
363552	N	16	1183.00	233

### UT 45° (1/8) BENDS

333647	S	4	\$73.00	26
332862	S	6	107.00	42
286707	S	8	164.00	66
333678	S	10	227.00	101
286714	S	12	303.00	131
350781	S	14	687.00	143
350798	S	16	835.00	225
363415	S	18	1466.00	209
363422	S	20	1821.00	397
363439	S	24	2575.00	492

### UT x FLG 45° (1/8) BENDS

363569	S	4	\$125.00	21
363576	S	6	147.00	42
363583	S	8	205.00	60
363590	S	10	320.00	93
363606	S	12	409.00	122
363613	N	14	761.00	162
363620	N	16	926.00	275

UPC #	Ship Code	Size	Pallet Quantity	Gasket Included	Weight
670610					
<b>VALU-PAK 45° (1/8) BEND</b>					
374763	S	4	101	\$7152.00	2929
374770	S	6	48	4982.00	2000
374787	S	8	24	3818.00	1584

### UT x FLG 22½° (1/16) BENDS

363637	S	4	\$125.00	25
363644	S	6	147.00	44
363651	S	8	205.00	64
363668	S	10	320.00	90
363675	S	12	409.00	112
363682	N	14	761.00	174
363699	N	16	926.00	228

### UT 22½° (1/16) BENDS

350804	S	4	\$74.00	18
286998	S	6	107.00	39
286660	S	8	166.00	64
333661	S	10	227.00	67
299776	S	12	303.00	111
350811	S	14	687.00	162
333562	S	16	835.00	195
363446	S	18	1382.00	209
363453	S	20	1821.00	414
363460	S	24	2575.00	596

### UT x FLG 11¼° (1/32) BENDS

363705	N	4	\$125.00	24
363712	S	6	147.00	30
363729	S	8	205.00	61
363736	S	10	320.00	80
363743	S	12	409.00	94
363750	N	14	761.00	170
363767	N	16	926.00	228

S = From Stock to 2 weeks

N = Non-Stock; Check for availability.

All weights exclude accessories.

NOTE: All fittings furnished with Tyton® gaskets.

© Registered Trademark of U.S. Pipe & Foundry

**Restraining lugs are provided  
only on sizes 12" and smaller.**

# COMPACT PUSH-ON

## Tyler/Union C153 Union-Tite Ductile Iron Fittings

LP-5041

UPC #	Ship Code	Size	List Price	Weight	UPC #	Ship Code	Size	List Price	Weight
-------	-----------	------	------------	--------	-------	-----------	------	------------	--------

### UT x PE 90° (1/4) BENDS

363774	N	4	\$125.00	35
363781	N	6	154.00	70

### UT x PE 45° (1/8) BENDS

363798	N	4	\$125.00	21
363804	N	6	154.00	38
363811	N	8	186.00	60

### UT x PE 22½° (1/16) BENDS

363828	N	6	\$154.00	35
363835	N	8	186.00	57

### UT x PE 11¼° (1/32) BENDS

363842	N	6	\$154.00	36
363859	N	8	186.00	55

### UT x FLG ADAPTERS

350859	S	4	\$98.00	28
350866	S	6	111.00	41
350873	S	8	162.00	52
350880	S	10	238.00	71
350897	S	12	316.00	102
350903	S	14	486.00	113
350910	S	16	623.00	115
363866	N	20	1624.00	295

### UT TEES

350927	S	4	\$116.00	44
350934	S	6x4	161.00	68
333586	S	6	159.00	71
350941	S	8x4	227.00	73
350958	S	8x6	237.00	108
299806	S	8	283.00	116
350965	S	10x4	320.00	102
350972	S	10x6	325.00	113
350989	S	10x8	332.00	145
350996	S	10	389.00	155
333852	S	12x4	385.00	119
286653	S	12x6	399.00	140
286646	S	12x8	422.00	160
351009	S	12x10	504.00	160
286684	S	12	549.00	209
351016	N	14x6	870.00	176
351023	N	14x10	1130.00	195
351030	N	14x12	1197.00	196
351047	S	14	1255.00	209
351054	S	16x6	1173.00	266
351061	S	16x8	1196.00	292
351078	N	16x10	1220.00	232
351085	N	16x12	1230.00	239

### UT TEES (Con't)

351627	N	16x14	1408.00	349
351092	S	16	1420.00	261
363873	N	18x6	1976.00	348
363880	N	18x8	2037.00	325
363897	N	18x10	2161.00	344
363903	N	18x14	2592.00	342
363910	N	18x16	2721.00	362
363927	N	20x6	2274.00	355
363934	N	20x10	2401.00	369
363941	N	20x14	2753.00	484
363958	N	20x16	2889.00	610
363965	N	20x18	3260.00	539
363972	S	24x6	3261.00	385
363989	N	24x10	3345.00	478
363996	N	24x12	3370.00	663
364009	N	24x14	3550.00	542
364016	N	24x16	3611.00	566
364023	N	24x18	4445.00	593
364030	N	24x20	4501.00	628
364047	N	24	4617.00	884

UPC #	Ship Code	Size	Pallet Quantity	Gasket Included	Weight
<b>VALU-PAK UT TEE</b>					
374794	S	4	33	\$3713.00	1452
374800	S	6	35	5398.00	2485
381402	S	8x6	28	6437.00	2828
374817	S	8	28	7686.00	3108

### UT x FLG TEES

364054	S	4	\$146.00	45
364061	S	6x4	184.00	56
364078	S	6	203.00	69
364085	S	8x4	279.00	89
364092	S	8x6	290.00	97
364108	S	8	329.00	130
364115	S	10x4	373.00	115
364122	S	10x6	374.00	128
364139	S	10x8	407.00	145
364146	S	10	522.00	158
364153	S	12x4	487.00	138
364160	S	12x6	505.00	154
364177	S	12x8	509.00	170
364184	S	12x10	614.00	162
364191	S	12	714.00	183
364207	N	14x6	1001.00	212
364214	N	14x10	1284.00	246
364221	N	14x12	1359.00	296
364238	N	14	1353.00	321
363378	S	16x6	1260.00	160
364245	N	16x8	1290.00	270
364252	N	16x10	1359.00	330

Restraining lugs are provided only on sizes 12" and smaller.

S = From Stock to 2 weeks N = Non-Stock; Check for availability. All weights exclude accessories.

NOTE: All fittings furnished with Tyton® gaskets. © Registered Trademark of U.S. Pipe & Foundry

# COMPACT PUSH-ON

## LP-5041

## Tyler/Union C153 Union-Tite Ductile Iron Fittings

UPC #	Ship Code	Size	List Price	Weight	UPC #	Ship Code	Size	List Price	Weight
670610					670610				

### UT x FLG TEES (Con't)

364269	N	16x12	\$1370.00	321
364276	N	16x14	1764.00	342
364283	N	16	1766.00	355
364290	N	18x6	2041.00	301
364306	N	18x8	2716.00	319
364313	N	18x10	2920.00	337
364320	N	18x14	3376.00	393
364337	N	18x16	3452.00	420
364344	N	20x6	2791.00	341
364351	N	20x10	3061.00	420
364368	N	20x14	3464.00	474
364375	N	20x16	3633.00	498
364399	S	24x6	3325.00	512
364405	N	24x10	4624.00	468
364412	N	24x12	4477.00	503
364429	N	24x14	4814.00	531
364436	N	24x16	5154.00	555

### UT WYES (Con't)

(Not included in AWWA Standard C153)

351245	N	14	\$2279.00	475
351252	N	16x6	2125.00	281
351269	N	16x8	2243.00	304
353065	N	16x12	2459.00	346
351290	N	16	2817.00	380

### UTxPETEES

364696	S	6	\$236.00	60
364702	S	8x6	310.00	80
364719	N	12x6	470.00	140

### UT CROSSES

333593	S	6	\$330.00	88
333609	S	8x6	501.00	117
333616	S	8	537.00	156
351306	N	10x4	679.00	116
351320	S	12x8	762.00	240
333074	N	12	1311.00	241
351337	N	14x6	1416.00	189
351344	N	14x8	1500.00	204
351351	N	14x10	1536.00	222
351368	N	14x12	1626.00	239
351375	N	14	1795.00	270
351382	S	16x6	1595.00	234
351399	S	16x8	1673.00	323
351405	S	16x10	1739.00	268
351412	S	16x12	1833.00	274
351429	S	16x14	2097.00	322
351436	S	16	2217.00	317

UPC #	Ship Code	Size	Pallet Quantity	Gasket Included	Weight
670610					
<b>VALU-PAK UT x FLG TEE</b>					
381389	<b>S</b>	8x6	28	\$7876.00	3640

### UT x SWIVEL TEES

364443	S	6	\$236.00	65
364450	S	8x6	310.00	100
364467	N	8	330.00	110
364474	N	10x6	426.00	130
364481	N	10x8	468.00	156
364498	S	12x6	470.00	162
364504	N	12x8	511.00	158
364511	N	14x6	968.00	202
364528	S	16x6	1235.00	229
364535	N	16x8	1346.00	292
364542	N	18x6	2310.00	348
364665	N	18x8	2564.00	324
364672	N	20x6	2463.00	400
364689	N	24x6	3645.00	525

### UT WYES (Not included in AWWA Standard C153)

351108	S	8x4	\$577.00	89
351115	N	10x4	730.00	141
351122	N	10x6	740.00	151
351139	N	10x8	774.00	175
351146	N	10	803.00	200
351153	N	12x4	890.00	178
351160	S	12x6	914.00	201
351177	N	12x8	972.00	224
351184	N	12x10	1148.00	240
351191	N	12	1158.00	289
351207	N	14x6	1712.00	236
351214	N	14x8	1788.00	255
351221	N	14x10	1874.00	325

### UT REDUCERS

351443	S	6x4	\$92.00	32
351450	S	8x4	132.00	46
351467	S	8x6	134.00	49
351474	N	10x4	189.00	47
351481	S	10x6	189.00	47
351498	S	10x8	192.00	53
351504	S	12x4	252.00	74
351511	S	12x6	252.00	58
298243	S	12x8	258.00	74
351528	S	12x10	271.00	82
351535	N	14x6	462.00	84
351542	N	14x8	465.00	85
351559	N	14x10	485.00	87
351566	N	14x12	510.00	104
351573	N	16x6	553.00	94
351580	N	16x8	565.00	104
351597	N	16x10	612.00	130
351603	S	16x12	623.00	152
364726	S	16x14	721.00	139
364733	N	18x8	1055.00	142
364740	N	18x10	1161.00	151
364757	N	18x12	1178.00	167

**Restraining lugs are provided only on sizes 12" and smaller.**

S = From Stock to 2 weeks    N = Non-Stock; Check for availability. All weights exclude accessories.

NOTE: All fittings furnished with Tyton® gaskets. ® Registered Trademark of U.S. Pipe & Foundry

# COMPACT PUSH-ON

## Tyler/Union C153 Union-Tite Ductile Iron Fittings

LP-5041

UPC # 670610	Ship Code	Size	List Price	Weight	UPC # 670610	Ship Code	Size	List Price	Weight
-----------------	--------------	------	---------------	--------	-----------------	--------------	------	---------------	--------

### UT REDUCERS (Con't)

364764	N	18x14	\$1217.00	217
364771	N	18x16	1295.00	202
364788	N	20x10	1257.00	180
364795	N	20x12	1317.00	205
364801	N	20x14	1493.00	233
364818	N	20x16	1539.00	250
364825	N	20x18	1773.00	248
364832	N	24x12	1692.00	246
364849	N	24x14	1855.00	281
364856	N	24x16	1964.00	380
364863	N	24x18	2053.00	390
364870	N	24x20	2185.00	421

### UT x FLG REDUCERS

364887	S	6x4	\$134.00	32
364894	S	8x4	195.00	46
364900	S	8x6	207.00	47
364917	N	10x4	270.00	55
364924	S	10x6	282.00	59
364931	S	10x8	288.00	61
364948	N	12x4	351.00	78
364955	S	12x6	359.00	73
364962	S	12x8	373.00	74
364979	S	12x10	374.00	95
364986	N	14x6	628.00	121
364993	N	14x8	648.00	128
365006	N	14x10	676.00	127
365013	N	14x12	688.00	144
365020	N	16x6	768.00	133
365037	N	16x8	789.00	141
365044	N	16x10	851.00	158
365051	N	16x12	867.00	172
365068	N	16x14	1002.00	196
365075	N	18x8	1466.00	157
365082	N	18x10	1616.00	175
365099	N	18x12	1643.00	215
365105	N	18x14	1758.00	234
365112	N	18x16	1866.00	246
365129	N	20x10	1812.00	234
365136	N	20x14	2155.00	249
365143	N	20x16	2221.00	272
365150	N	24x12	2441.00	262
365167	N	24x14	2676.00	315
365174	N	24x16	2833.00	328

### SMALL END BELL (SEB) REDUCER

120155	N	6x4	\$88.00	45
052951	N	8x6	134.00	44
052968	N	12x6	252.00	58
052975	N	12x8	258.00	81

**NOTE - For Tapped Tees, Plugs and Caps Only:** We stock 2" IPT Taps only. For all tap sizes other than 2" IPT up to a 4" maximum a \$75.00 **NET CHARGE** will be added to the corresponding 2" tapped fitting cost. Special tapped fittings are non-cancellable and non-returnable. Contact CSR for details

**Restraining lugs are provided only on sizes 12" and smaller.**

NOTE: All fittings furnished with Tyton® gaskets.  
© Registered Trademark of U.S. Pipe & Foundry

### UT TAPT TEES (2 INCH IPT) SEE NOTE

365181	S	4	\$111.00	27
365198	S	6	143.00	38
365204	S	8	195.00	59
365211	S	10	251.00	72
365228	S	12	305.00	92

### UT TAPT CROSSES (2 INCH IPT) SEE NOTE

365235	S	4	\$128.00	27
365242	S	6	162.00	38
365259	S	8	215.00	59
365266	S	10	262.00	72
365273	S	12	324.00	92

### UT PLUGS / SOLID

370406	S	4	\$29.00	8
370413	S	6	53.00	23
370420	S	8	78.00	32
370437	S	10	107.00	38
370444	S	12	135.00	49

### UT PLUGS / TAPT 2-INCH IPT SEE NOTE

370451	S	4	\$52.00	8
370468	S	6	73.00	23
370475	S	8	98.00	32
370482	S	10	126.00	38
370499	S	12	158.00	49

### UT CAPS / SOLID

351665	S	4	\$36.00	15
351672	S	6	52.00	20
351689	S	8	86.00	35
351696	S	10	115.00	50
351702	S	12	137.00	75

### UT CAPS / TAPT 2-INCH IPT SEE NOTE

351719	S	4	\$58.00	15
351726	S	6	74.00	20
351733	S	8	110.00	35
351740	S	10	141.00	50
351757	S	12	163.00	75

### EXTRA TYTON® GASKETS

140672	S	4	\$6.70	.4
140689	S	6	10.10	.6
140696	S	8	14.70	.9
140702	S	10	19.10	1.2
140719	S	12	20.30	1.4
140726	S	14	34.80	2.4
140733	S	16	39.10	1.9
140740	S	18	52.20	3.1
140757	S	20	57.60	3.4
140764	S	24	71.70	3.8

### TYTON® TRANSITION GASKETS

365280	S	4	\$14.70	.4
365297	S	6	20.30	.6
365303	S	8	23.70	.9
365310	S	10	31.50	1.2
365327	N	12	41.60	1.4

# FLANGED FULL BODY

## LP-5041

## Tyler/Union Ductile Iron C110 Flanged Fittings

UPC #	Ship Code	Size	List Price	Weight	UPC #	Ship Code	Size	List Price	Weight
-------	-----------	------	------------	--------	-------	-----------	------	------------	--------

### 90° (1/4) BEND FLANGED

382898#	S	2	\$61.00	14
121619	S	3	62.00	25
121633	S	4	93.00	45
121695	S	6	142.00	65
121756	S	8	225.00	105
121817	S	10	414.00	165
121893	S	12	592.00	235
121916#	S	14	1079.00	387
121930	S	16	1457.00	474
121978	S	18	2324.00	527
122012	S	20	3035.00	878
122036	S	24	4785.00	1085
122050#	N	30	7229.00	1755

### 90° (1/4) BASE BEND FLANGED

122210	S	3	\$239.00	38
122234	S	4	276.00	55
122296	S	6	384.00	83
122357	S	8	490.00	141
122456	S	10	714.00	203
122593	S	12	980.00	303
122616#	N	14	1368.00	400
122630#	S	16	1820.00	505
122654	N	18	2704.00	645
122678	N	20	3363.00	805
122692	N	24	4916.00	1215
122715	N	30	7128.00	1945

### 90° (1/4) REDUCING BEND FLANGED

121657	S	4x3	\$121.00	35
121671	S	6x4	188.00	58
121718	S	8x4	276.00	75
121732	S	8x6	277.00	90
121770	S	10x6	567.00	126
121794	S	10x8	575.00	150
121831	S	12x6	925.00	165
121855	S	12x8	1012.00	191
121879	S	12x10	1028.00	218

### 90° (1/4) REDUCING BASE BEND FLANGED WITH BASE UNDER LARGE END

122258	N	4x3	\$354.00	43
122319	N	6x4	488.00	75
122371	N	8x4	604.00	115
122395	N	8x6	613.00	130
122432	N	10x6	974.00	175
122494	N	10x8	980.00	196
122555	N	12x6	1562.00	230
122531	N	12x8	1578.00	255
122579	N	12x10	1596.00	285

### 90° (1/4) REDUCING BASE BEND FLANGED WITH BASE UNDER SMALL END

122272	N	4x3	\$354.00	45
122333	N	6x4	488.00	75
245360	N	8x4	604.00	115
122418	N	8x6	613.00	130
122470	N	10x6	974.00	170
341550	N	10x8	980.00	195
334712	N	12x6	1562.00	230
284475	N	12x8	1578.00	255
298236	N	12x10	1596.00	285

### 45° (1/8) BEND FLANGED

123316	S	3	72.00	20
123330	S	4	95.00	40
123354	S	6	138.00	55
123378	S	8	204.00	91
123392	S	10	379.00	130
123415	S	12	555.00	195
123439#	S	14	1065.00	245
123453#	S	16	1461.00	315
123477	S	18	1671.00	422
123491	S	20	2138.00	485
123514	N	24	3148.00	541
123538#	N	30	5493.00	1335

### 22½° (1/16) BEND FLANGED

123590	N	3	\$83.00	22
123613	S	4	105.00	40
123637	S	6	148.00	58
123651	S	8	223.00	88
123675	S	10	416.00	130
123699	S	12	628.00	195
123712#	N	14	1080.00	250
123736#	N	16	1549.00	417
123750	N	18	1707.00	402
123774#	N	20	2221.00	505
123798	N	24	3273.00	528
247401	N	30	5557.00	1385

### 11¼° (1/32) BEND FLANGED

123811	N	3	\$83.00	20
123835	S	4	105.00	40
123859	S	6	150.00	56
123873	S	8	237.00	88
123897	S	10	437.00	130
123910	S	12	628.00	193
123934#	N	14	1111.00	225
123958#	N	16	1510.00	398
123972	N	18	1724.00	385
123996#	N	20	2245.00	505
124016	N	24	3343.00	760
124030	N	30	5579.00	1395

S = From Stock to 2 weeks

N = Non-Stock; Check for availability.

# Mfg. @ UFCO or Clow



# FLANGED FULL BODY

**LP-5041**

## Tyler/Union Ductile Iron C110 Flanged Fittings

UPC #	Ship Code	Size	List Price	Weight	UPC #	Ship Code	Size	List Price	Weight
-------	-----------	------	------------	--------	-------	-----------	------	------------	--------

**TEE FLANGED (Con't)**

124474	S	12x10	\$945.00	355
124498	S	12	878.00	385
124511#	N	14x4	2150.00	405
124535#	N	14x6	1791.00	530
124559#	N	14x8	1800.00	435
124573#	S	14x10	1811.00	550
124597#	N	14x12	1848.00	470
124610#	S	14	1746.00	602
124634#	S	16x4	2480.00	500
124658#	S	16x6	2555.00	540
124672#	S	16x8	2561.00	620
124696#	S	16x10	2563.00	565
124719#	S	16x12	2566.00	634
124733#	N	16x14	2571.00	610
124757#	S	16	2482.00	675
124771	S	18x6	2566.00	560
124795	S	18x8	2603.00	570
124818	N	18x10	2676.00	585
124832	S	18x12	2772.00	605
124856	N	18x14	3390.00	740
124870	N	18x16	3479.00	760
124894	S	18	3492.00	785
124917	N	20x6	3245.00	710
124931	N	20x8	3290.00	720
124955	N	20x10	3366.00	735
124979	S	20x12	3445.00	755
124993	N	20x14	3527.00	770
125013	N	20x16	4355.00	950
382676#	N	20x18	4199.00	965
125037	S	20	4342.00	1005
125051	S	24x6	4584.00	1000
125075	S	24x8	4627.00	1010
125099	N	24x10	4675.00	1020
125112	S	24x12	4590.00	1125
125136	S	24x14	4810.00	1050
125150	N	24x16	4907.00	1070
125174	N	24x18	6742.00	1534
125198	N	24x20	6916.00	1510
125211	S	24	7017.00	1685
125235	N	30x6	8005.00	1725
125259#	N	30x12	8079.00	1780
125273#	N	30x18	8246.00	1815
125310	N	30x24	11236.00	2475
125334#	S	30	11820.00	2615

**BASE TEE, FLANGED**

125907	N	3	\$295.00	50
125921	S	4	347.00	70
125969	S	6	476.00	115
126041	N	8	667.00	155
126065	N	10	933.00	315
126140	N	12	1330.00	450
126188#	N	14	2039.00	550
126201#	N	16	2786.00	685
332725	N	18	3917.00	855
334699	N	20	4860.00	1125
334705	N	24	7374.00	1715

**CROSS FLANGED**

127161	S	3	\$147.00	51
127185	N	4x3	248.00	76
127208	S	4	254.00	80
127222	N	6x3	375.00	95
127246	S	6x4	376.00	112
127260	S	6	374.00	125
333166	N	8x3	583.00	140
127284	S	8x4	578.00	155
127307	S	8x6	583.00	165
127321	S	8	583.00	203
127345#	N	10x4	968.00	220
127369	S	10x6	977.00	242
127383	S	10x8	970.00	265
127406	S	10	1080.00	333
333159#	N	12x4	1387.00	310
127420	S	12x6	1404.00	326
127444	S	12x8	1352.00	351
127468#	N	12x10	1562.00	415
127482	S	12	1523.00	460
333340	N	14x6	1978.00	450
127505	N	14x8	1999.00	475
127529#	N	14x12	2073.00	555
127543#	N	14	1941.00	712
127567	N	16x6	2787.00	565
127581#	N	16x8	2798.00	713
127604#	N	16x10	2805.00	748
127628#	N	16x12	2815.00	818
127642#	N	16	2692.00	806
127680	N	18x12	2918.00	706
127703	N	18	4057.00	915
127765	N	20x12	3815.00	820
127789	N	20x16	4925.00	1065
333333	N	20	5176.00	1175
127802	S	24x12	5111.00	1100
127826	N	24x14	5215.00	1125
127840	N	24x16	5373.00	1160
127864	N	24x20	7852.00	1695
127888	N	24	8151.00	1850
127901	N	30x24	11435.00	2695
246053	N	30	11141.00	2980

# Mfg. @ UFCO or Clow

S = From Stock to 2 weeks      N = Non-Stock; Check for availability.

# FLANGED FULL BODY

## Tyler/Union Ductile Iron C110 Flanged Fittings

LP-5041

UPC # 670610	Ship Code	Size	List Price	Weight	UPC # 670610	Ship Code	Size	List Price	Weight
-----------------	--------------	------	---------------	--------	-----------------	--------------	------	---------------	--------

### ECCENTRIC REDUCER FLANGED

128847	S	4x3	\$140.00	30
250487	S	6x3	197.00	45
128861	S	6x4	196.00	52
128885	S	8x4	257.00	66
128908	S	8x6	263.00	80
128922	S	10x6	443.00	98
128946	S	10x8	449.00	123
128960	S	12x6	736.00	135
128984	S	12x8	740.00	149
129004	S	12x10	743.00	170
129028#	N	16x6	1709.00	245
129042#	N	16x8	1718.00	230
129066#	N	16x10	1728.00	255
129080#	N	16x12	1742.00	332
129103#	N	16x14	1752.00	377
129127	N	18x8	2204.00	310
129141	N	18x10	2214.00	305
129165	N	18x12	2492.00	325
129189	N	18x14	2498.00	335
129202	N	18x16	2255.00	335
129226	N	20x10	2695.00	350
129240	N	20x12	2710.00	370
129264	N	20x14	3045.00	402
129288	N	20x16	2738.00	449
129301	N	20x18	2751.00	455
129325	N	24x12	3998.00	601
129349	N	24x14	4014.00	570
129363	N	24x16	4030.00	614
129387	N	24x18	4045.00	638
129400	N	24x20	4068.00	637

### CONCENTRIC REDUCER FLANGED

127925	S	3x2	\$98.00	16
127949	S	4x2	134.00	25
127963	S	4x3	134.00	30
127987	S	6x2	222.00	36
128007	S	6x3	193.00	40
128021	S	6x4	190.00	45
128045	S	6x5	248.00	56
128069	S	8x3	287.00	61
128083	S	8x4	243.00	65
128106	S	8x5	305.00	78
128120	S	8x6	247.00	76
128144	S	10x4	441.00	98
128168	S	10x6	428.00	94
128182	S	10x8	430.00	110
128205	S	12x4	665.00	119
128229	S	12x6	650.00	130
128243	S	12x8	717.00	145
128267	S	12x10	727.00	178
128281#	N	14x6	1254.00	165
128304#	N	14x8	1270.00	185
128328#	N	14x10	1271.00	205
128342#	S	14x12	1275.00	294

### CONCENTRIC REDUCER FLANGED (Con't)

128366#	N	16x6	\$1654.00	245
128380#	S	16x8	1668.00	230
128403#	S	16x10	1673.00	255
128427#	S	16x12	1677.00	285
128441#	N	16x14	1712.00	377
128465	N	18x8	2193.00	265
128489	N	18x10	2203.00	290
128502	S	18x12	2204.00	320
128526	N	18x14	2210.00	350
128540	S	18x16	2201.00	405
128564	S	20x10	2682.00	418
128588	S	20x12	2683.00	465
128601	S	20x14	2696.00	430
128625	S	20x16	2697.00	445
128649	N	20x18	2707.00	470
128663	S	24x12	3966.00	608
128687	N	24x14	3973.00	565
128700	S	24x16	3848.00	610
128724	N	24x18	3986.00	645
128748	N	24x20	3982.00	756
128762	N	30x16	6518.00	945
128786	N	30x18	6049.00	970
128809	N	30x20	6053.00	1144
128823#	N	30x24	6068.00	1155

### ADAPTER FLANGE (Union Flange)

131090#	S	3	\$37.00	7
131106#	S	4	49.00	11
131113#	S	6	55.00	15
131120#	S	8	76.00	22
131137#	S	10	137.00	30
131144#	S	12	161.00	40

### STANDARD FLANGE THREADED FOR STEEL PIPE

129417	S	2	\$17.60	6
129424	S	2.5	17.10	8
129431	S	3	17.10	7
129448	S	4	25.30	12
129455	S	6	30.50	17
129462	S	8	52.90	28
129479	S	10	78.80	35
129486	S	12	117.60	61

# Mfg. @ UFCO or Clow

S = From Stock to 2 weeks      N = Non-Stock; Check for availability.

# FLANGED FULL BODY

## LP-5041

## Tyler/Union Ductile Iron C110 Flanged Fittings

UPC #	Ship Code	Size	List Price	Weight	UPC #	Ship Code	Size	List Price	Weight
670610					670610				

### FLANGE THREADED FOR DUCTILE IRON PIPE

129509*	S	3	13.50	6
129516	S	4	22.50	11
129523*	S	6	30.20	14
129530*	S	8	47.00	35
129547*	S	10	68.90	33
129554*	S	12	97.60	51
129561*	S	14	147.00	72
129578*	S	16	175.20	86
129585*	S	18	192.20	86
129592*	S	20	220.40	115
129608*	S	24	327.80	160
129615#	S	30	775.90	255

\* Mfg. @ UFCO; # Mfg. Clow

### STANDARD BLIND FLANGES

129943	S	3	\$20.00	9
129950	S	4	33.00	15
129967	S	6	58.00	28
129974	S	8	93.00	45
129981	S	10	140.00	55
129998	S	12	187.00	73
130000#	S	14	312.00	110
130017#	S	16	400.00	165
130024	S	18	772.00	167
130031	S	20	1013.00	214
130048	S	24	1473.00	370
130055#	N	30	2213.00	580

### BLIND FLANGE TAPPED (2-inch Only)

#### SEE NOTE

130123	S	3	\$55.00	11
130185	S	4	66.00	14
130246	S	6	89.00	25
130314	S	8	126.00	40
130352	S	10	174.00	60
130413	S	12	222.00	80
130451#	N	14	320.00	110
130468#	S	16	432.00	165
130482	S	18	810.00	192
301585	N	20	1025.00	249
130505	N	24	1497.00	375
130543	N	30	2241.00	580

### FLANGE SLUDGE SHOE

130789	N	3	\$296.00	28
130802	S	4	328.00	35
130826	S	6	366.00	45
130840	N	8	422.00	65
130864	N	10	496.00	88
250500	N	12	687.00	120

### FLANGE TRUE WYE

127062	S	4x4x4	\$315.00	49
127086	S	6x4x4	393.00	75
127109	S	6x6x6	527.00	84
127123	N	8x6x6	686.00	134
127147	N	8x8x8	786.00	144

### FLANGExFLARE 90° ELL

123118	N	3	\$218.00	25
123132	S	4	284.00	40
123156	S	6	332.00	70
123170	S	8	552.00	118
123194	S	10	765.00	175
123217	S	12	971.00	245
123231	N	14	1783.00	450
123255	N	16	2222.00	700
123279	N	18	3278.00	685
333326	N	20	3857.00	860
123293	N	24	5679.00	1195

### FLANGExFLARE PIECE

130567	S	3	\$236.00	20
130581	S	4	254.00	44
130604	S	6	285.00	44
130628	S	8	365.00	75
130642	S	10	445.00	108
130666	S	12	650.00	154
130680#	N	14	858.00	190
130703#	N	16	1217.00	294
130727	N	18	1580.00	355
130741	N	20	2127.00	465
130765	N	24	2374.00	635

# Mfg. @ UFCO or Clow

**NOTE - For Tapped Blind Flanges Only:** We stock 2" IPT Taps only. For all tap sizes other than 2" IPT up to a 4" maximum a \$75.00 **NET CHARGE** will be added to the corresponding 2" tapped fitting cost. Special tapped fittings are non-cancellable and non-returnable. Contact CSR for details

#### Fitting Special Tap Pricing Policy:

Special taps in fittings will apply to C110 Flanged Fittings Only. Flanged Fittings that require a tapping boss will have a one time \$200.00 (net) set up charge per boss per position. The price of each special tap, regardless of the tap size, is \$75.00 (net). For more details consult your Customer Service Representative.

S = From Stock to 2 weeks      N = Non-Stock; Check for availability.

# FLANGED FULL BODY

## Tyler/Union Ductile Iron C110 Flanged Fittings

LP-5041

UPC NO. 670610	Ship Code	Tap x O.D.	Size & Tap	List Price	Wt. Weight
-------------------	--------------	------------	------------	---------------	---------------

### D.I. REDUCING FLANGE THREADED FOR STEEL PIPE

129752	S	3x9	(4x3)	\$35.00	17
129769	S	4x11	(6x4)	53.00	21
129783	S	4x13½	(8x4)	85.00	37
129806	N	6x13½	(8x6)	85.00	31
129813	N	6x16	(10x6)	135.00	60
129837	N	6x19	(12x6)	203.00	90
129820	S	8x16	(10x8)	135.00	50
129844	N	10x19	(12x10)	203.00	72

### D.I. REDUCING FLANGE THREADED FOR CAST IRON/DI PIPE

129851	S	3x9	(4x3)	\$43.00	15
129868	N	4x11	(6x4)	70.00	25
129875	N	4x13½	(8x4)	109.00	40
129882	N	6x13½	(8x6)	109.00	35
129905	N	8x16	(10x8)	152.00	50
333500	N	8x19	(12x8)	210.00	85

S = From Stock to 2 weeks    N = Non-Stock; Check for availability.

**LP-5041  
 CAST IRON SERVICE BOXES, ADJUSTABLE**

Accommodates through 1 1/2" curbstops; Enlarged Base  
 Accommodates 2" curbstops; 2 1/2" shaft - screw type

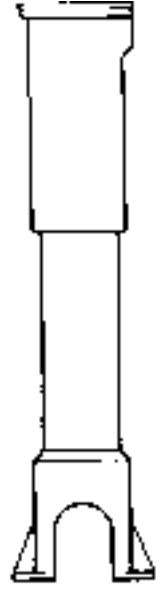
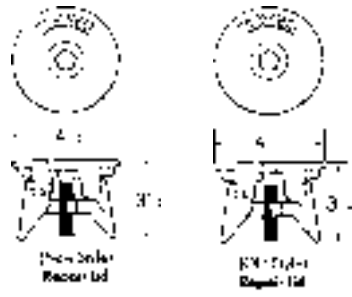
**6500 SERIES, SCREW TYPE WITH WATER LID**

Box (Components)	UPC 67610	Ship Code	Extension In Inches	Weight	List Price
89-A(12T&12B)	146681	S	15-21	20	\$39.20
90-B(12T&15B)	146742	S	18-24	21	40.40
90-C(15T&15B)	146803	S	21-27	22	42.70
91-C(15T&21B)	146865	S	24-33	24	47.50
92-C(15T&27B)	146926	S	30-39	26	48.60
92-D(18T&27B)	146988	S	30-42	28	59.30
93-D(18T&33B)	147046	S	36-48	32	67.70
93-E(24T&33B)	147114	S	36-54	37	70.10
94-E(24T&39B)	147183	S	42-60	41	77.20
95-E(30T&39B)	147251	S	41-64	44	85.40
100-E(24T&21B&#154 Ext)	147312	S	54-72	50	96.10
100-F(30T&21B&#154 Ext)	147381	S	54-78	53	103.30
101-F(30T&27B&#154 Ext)	147459	S	60-84	55	104.50



**TOP SECTION WITH WATER LID**

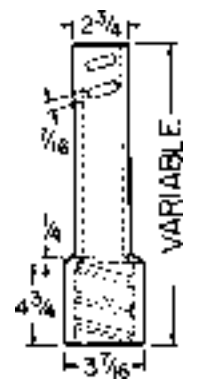
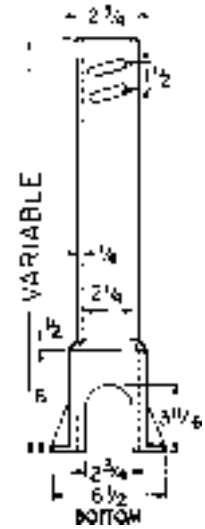
Item	UPC 67610	Ship Code	Weight	List Price
12T	147510	S	11	\$19.00
15T	147589	S	12	20.20
18T	147640	S	14	26.10
24T	147701	S	19	29.70
30T	147763	S	22	34.40



Box Assembled

**BOTTOM ONLY**

Item	UPC 67610	Ship Code	Weight	List Price
12B	144670	S	9	\$16.60
15B	144687	S	10	17.80
21B	144694	S	12	20.20
27B	144700	S	14	21.40
33B	144717	S	18	29.70
39B	144724	S	22	34.40

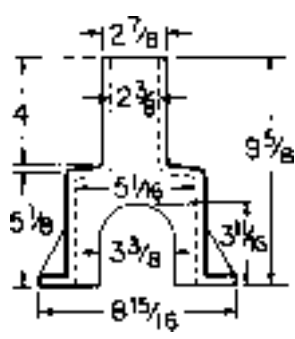
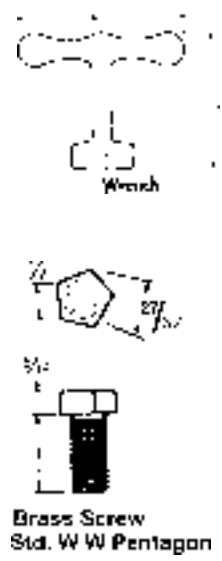


EXTENSION

Item	Height Increase
151	9
152	16
153	28
154	30

**6500 SERIES PARTS**

Item	UPC 67610	Ship Code	Weight	List Price
151 Ext	144762	S	8.0	\$17.80
152 Ext	144779	S	12.0	20.20
153 Ext	144786	S	17.0	28.50
154 Ext	144793	S	19.0	30.90
Enlarged Base	144809	S	8.0	19.00
2 1/2" Water Lid	144830	S	1.0	4.70
Brass Screw (Std. WW Pentagon)	144816	S	...	3.60
Wrench (Std. WW Pentagon)	144908	S	0.5	8.30
2 1/2" Repair Lid Old	144915	S	4.5	26.00
2 1/2" Repair Lid New	144922	S	4.5	26.00
2 1/2" Repair Lid Outside Cover	381518	S	4.5	26.00



**ENLARGED BASE  
 For 2" Curbstops**

Item	Height Increase
6500	6"

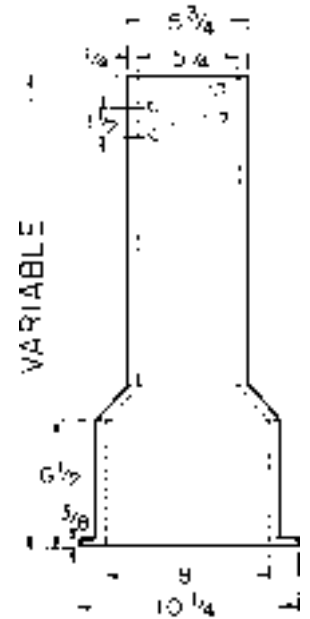
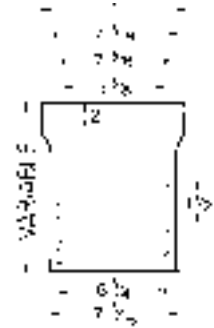
**Brass Screw  
 Std. WW Pentagon**

New ways to save on valve boxes. Eliminate extra handling by buying pre-assembled units. Save on single parts and accessories. Lower unit cost by purchasing Valu-Paks of 30 to 80 pieces of tops and bottoms in crates. Three levels of pricing to keep you competitive.

<b>THREE WAYS TO SAVE</b>			
6850 BOX PRICES AT DIFFERENT LEVELS			
Box	Level 1 Boxes Assembled	Level 2 Individual Parts Not Assembled	Level 3 VALU-PAK Parts Not Assembled
461-S	....	49.90	47.40
462-S	....	61.80	58.70
562-S	79.00	71.30	67.70
563-S	85.00	74.80	71.10
564-S	90.00	81.90	77.80
662-S	110.00	96.10	91.30
664-S	114.00	103.20	98.00
666-S	....	136.50	129.60
668-S	....	147.10	139.70

**Note: A "BOX" is one top and one bottom**

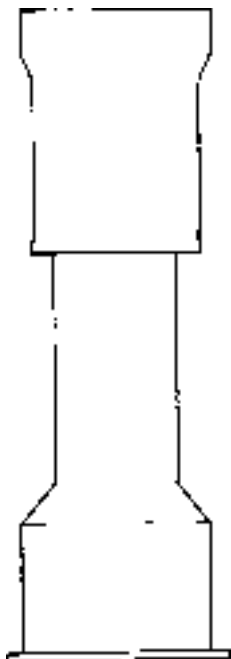
Level Two Top



Level Two Bottom

**LEVEL ONE**

Boxes assembled/less lids



Box Assembled

Lids marked "WATER" will ship unless otherwise specified:  
 Also available 5-1/4 Drop Lids:  
 WATER OMA  
 GAS  
 SEWER  
 M W W  
 (PLAIN)

**LEVEL ONE: BOXES ASSEMBLED/LESS LIDS**

Box (Components)	Extension Height	UPC No. 670610	Weight	List Price
461-S(10T+15B)	19-22	(Not Offered Assembled)		
462-S(10T+24B)	27-32	(Not Offered Assembled)		
562-S(16T-24B)	27-37	145790	67	79.00
563-S(16T+30B)	33-43	145752	72	85.00
564-S(16T+36B)	39-50	145806	77	90.00
662-S(26T+30B)	36-52	145769	92	110.00
664-S(26T+36B)	39-60	145813	97	114.00
666-S(26T+24B+#60 Ext)	51-71	(Not Offered Assembled)		
668-S(26T+36B+#60 Ext)	62-82	(Not Offered Assembled)		

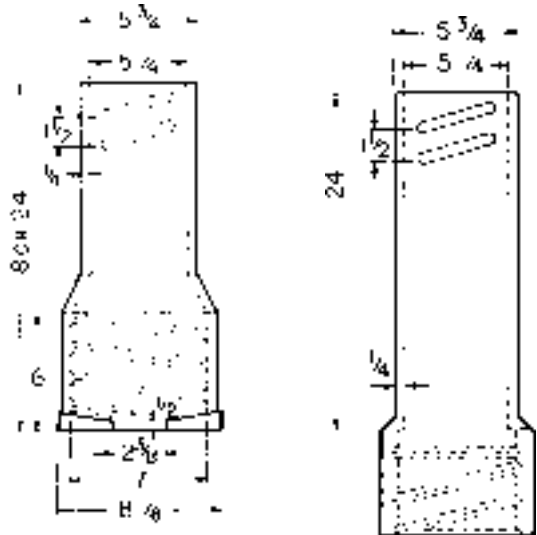
LEVEL TWO-Parts Not Assembled/Less Lids

Practical Ways To Control Inventory

**TOPS & BOTTOMS**

Box (Components)	Tops (less lids)					Bottoms				Extensions	
	Assy Height	UPC No. 670610	Lgt	Wt	List Each	UPC No. 670610	Lgt	Wt	List Each	UPC No. 670610	List Each
461-S(10T+15B)	19-22	144939	10T	23	22.60	145004	15B	15	27.30		
462-S(10T+24B)	27-32	144939	10T	23	22.60	145011	24B	37	39.20		
562-S(16T+24B)	27-37	144946	16T	33	32.10	145011	24B	37	39.20		
563-S(16T+30B)	33-43	144946	16T	33	32.10	144991	30B	40	42.70		
564-S(16T+36B)	39-50	144946	16T	33	32.10	145028	36B	48	49.80		
662-S(26T+30B)	36-52	144953	26T	50	53.40	144991	30B	42	42.70		
664-S(26T+36B)	39-60	144953	26T	50	53.40	145028	36B	48	49.80		
666-S(26T+24B+#60 Ext)	51-71	144953	26T	50	53.40	145011	24B	37	39.20	145059	43.90
668-S(26T+36B+#60 Ext)	62-82	144953	26T	50	53.40	145028	36B	48	49.80	145059	43.90

**LIDS & RISERS:**  
 All Lids ..... page 42  
 All Risers ..... page 43



58 & 59 Extension

60 Extension

**EXTENSIONS**

Item/Description	UPC No. 670610	Height Increase	Wt	List Price
#58 Screw-Type	145141	14	29	35.60
#59 Screw-Type	145158	18	30	41.50
#60 Screw-Type	145059	24	35	43.90

**LEVEL THREE**

Valu-Pak crates of tops and bottoms, not assembled, less lids. Lowest unit cost/easy to handle/ships from stock.

**TOPS OR BOTTOMS**

Box (Components)	Tops (less lids)						Bottoms				
	Assy Height	UPC No. 670610	Lgt	Wt	Qty	List Crate	UPC No. 670610	Lgt	Wt	Qty	List Crate
461-S(10T+15B)	19-22	376910	10T	1760	80	1718.00	376941	15B	1080	40	1037.00
462-S(10T+24B)	27-32	376910	10T	1760	80	1718.00	376958	24B	1050	30	1117.00
562-S(16T+24B)	27-37	376927	16T	2160	60	1830.00	376958	24B	1260	30	1117.00
563-S(16T+30B)	33-43	376927	16T	2160	60	1830.00	376965	30B	1260	30	1217.00
564-S(16T+36B)	39-50	376927	16T	2160	60	1830.00	376972	36B	1470	30	1419.00
662-S(26T+30B)	36-52	376934	26T	1530	30	1522.00	376965	30B	1080	30	1217.00
664-S(26T+36B)	39-60	376934	26T	1530	30	1522.00	376972	36B	1470	30	1419.00
666-S(26T+24B+#60 Ext)	*51-71	376934	26T	1530	30	1522.00	376958	24B	1260	30	1117.00
668-S(26T+36B+#60 Ext)	*62-82	376934	26T	1530	30	1522.00	376972	36B	1470	30	1419.00

\*Extensions (Required on 666-S & 668-S)

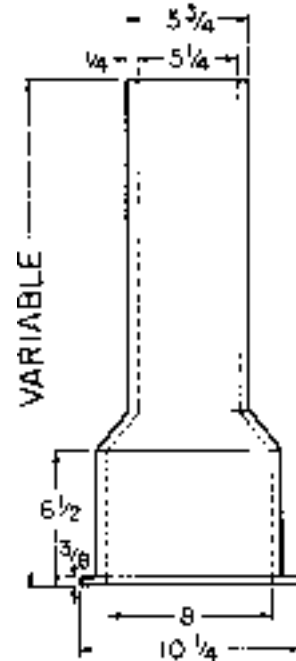
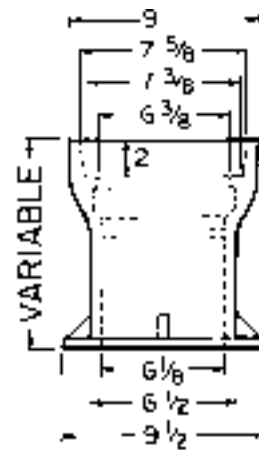
#60 Screw-Type  
 24" Height Increase 376989 1080 30 1251.00

NOTES: To get equal numbers, order two crates of bottoms for each crate of tops for 461, 562, 563 and 564.  
 Order lids separately, see above.

**CAST IRON TWO-PIECE VALVE BOXES**  
 5 1/4" shaft, slip-type

New ways to save on valve boxes. Eliminate extra handling by buying pre-assembled units. Save on single parts and accessories. Lower unit cost by purchasing Valu-Paks of 30 to 80 pieces of tops and bottoms in crates. Three levels of pricing to keep you competitive.

Level Two Top



**THREE WAYS TO SAVE**

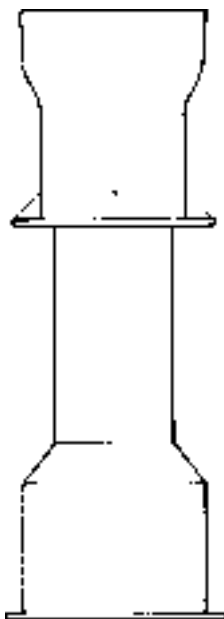
6855 BOX PRICES AT DIFFERENT LEVELS

Box	Level 1	Level 2	Level 3
	Boxes Assembled	Individual Ports Not Assembled	VALU-PAK Parts Not Assembled
461-A	....	49.90	47.40
462-A	....	61.80	58.70
562-A	79.00	71.30	67.70
563-A	85.00	74.80	71.10
564-A	90.00	81.90	77.80
662-A	110.00	96.10	91.30
664-A	114.00	103.20	98.00
666-A	....	136.50	129.60
668-A	....	147.10	139.70

Note: A "BOX" is one top and one bottom

**LEVEL ONE**

Boxes assembled/less lids



Box Assembled

Lids marked "WATER" will ship unless otherwise specified:  
 Also available 5-1/4 Drop Lids:  
 WATER OMA  
 GAS  
 SEWER  
 M W W  
 (PLAIN)

**LEVEL ONE: BOXES ASSEMBLED/LESS LIDS**

Box (Components)	Extension Height	UPC No. 670610	Weight	List Price
461-A(10T+15B)	19-22	(Not Offered Assembled)		
462-A(10T+24B)	27-32	(Not Offered Assembled)		
562-A(16T-24B)	27-37	145868	67	79.00
563-A(16T+30B)	33-43	145714	72	85.00
564-A(16T+36B)	39-50	145875	77	90.00
662-A(26T+30B)	36-52	145721	92	110.00
664-A(26T+36B)	39-60	145882	97	114.00
666-A(26T+24B+#60-A Ext)	51-71	(Not Offered Assembled)		
668-A(26T+36B+#60-A Ext)	62-82	(Not Offered Assembled)		

**LEVEL TWO - Parts Not Assembled/Less Lids**

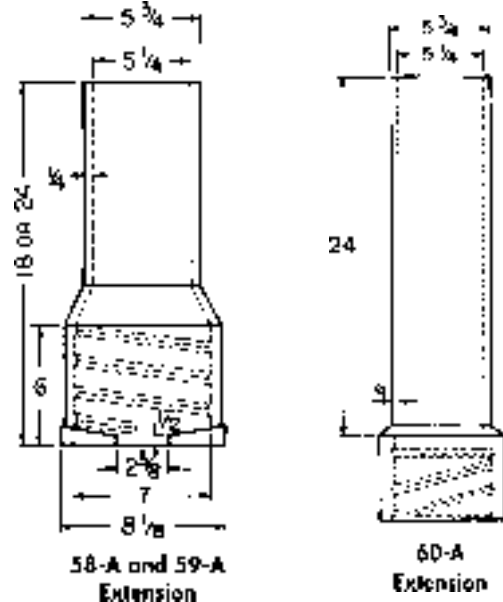
Practical Ways to Control Inventory

**TOPS & BOTTOMS**

Box (Components)	Tops (less lids)					Bottoms				Extensions	
	Assy Height	UPC No. 670610	Lgt	Wt	List Each	UPC No. 670610	Lgt	Wt	List Each	UPC No. 670610	List Each
461-A(10T+15B)	19-22	144960	10T	23	22.60	145073	15B	22	27.30		
462-A(10T+24B)	27-32	144960	10T	23	22.60	145080	24B	32	39.20		
562-A(16T+24B)	27-37	144977	16T	34	32.10	145080	24B	32	39.20		
563-A(16T+30B)	33-43	144977	16T	34	32.10	145127	30B	40	42.70		
564-A(16T-36B)	39-50	144977	16T	34	32.10	145097	36B	44	49.80		
662-A(26T-30B)	36-52	144984	26T	52	53.40	145127	30B	40	42.70		
664-A(26T+36B)	39-60	144984	26T	52	53.40	145097	36B	44	49.80		
666-A(26T+24B+#60-A Ext)	51-71	144984	26T	52	53.40	*145011	24B	37	39.20	145066	43.90
668-A(26T+36B+#60-A Ext)	62-82	144984	26T	52	53.40	*145028	36B	48	49.80	145066	43.90

\*NOTE: These are 6850 Bottoms used to accommodate the interior threads of the applicable extensions.

**LIDS & RISERS:**  
 All Lids ..... page 42  
 All Risers ..... page 43



**EXTENSIONS**

Item/Description	UPC No. 670610	Height Increase	Wt	List Price
#58-A Slip-Type	145233	14	29	35.60
#59-A Slip-Type	145240	18	31	41.50
#60-A Slip-Type	145066	24	35	43.90

**LEVEL THREE**

Valu-Pak crates of tops and bottoms, not assembled, less lids. Lowest unit cost/easy to handle/ships from stock.

**TOPS OR BOTTOMS**

Box (Components)	Tops (less lids)						Bottoms				
	Assy Height	UPC No. 670610	Lgt	Wt	Qty	List Crate	UPC No. 670610	Lgt	Wt	Qty	List Crate
461-A(10T+15B)	19-22	376996	10T	2320	80	1718.00	377023	15B	1040	40	1037.00
462-A(10T+24B)	27-32	376996	10T	2320	80	1718.00	377030	24B	1080	30	1117.00
562-A(16T+24B)	27-37	377009	16T	1080	30	915.00	377030	24B	1080	30	1117.00
563-A(16T+30B)	33-43	377009	16T	1080	30	915.00	377047	30B	1350	30	1217.00
564-A(16T+36B)	39-50	377009	16T	1080	30	915.00	377054	36B	1410	30	1419.00
662-A(26T+30B)	36-52	377016	26T	1560	30	1522.00	377047	30B	1350	30	1217.00
664-A(26T+36B)	39-60	377016	26T	1560	30	1522.00	377054	36B	1410	30	1419.00
666-A(26T+24B+#60-A Ext)	‡51-71	377016	26T	1560	30	1522.00	*376958	24B	1050	30	1117.00
668-A(26T+36B+#60-A Ext)	‡62-82	377016	26T	1560	30	1522.00	*376972	36B	1470	30	1419.00

‡Extensions (Required on 666-A & 668-A)

\*See Note Above

#60-A Slip-Type  
 24" Height Increase                      377061                      1080   30   1251.00

NOTES: To get equal numbers, order two crates of bottoms for each crate of tops for 461A.  
 Order lids separately, see above.

**CAST IRON THREE-PIECE VALVE BOXES**

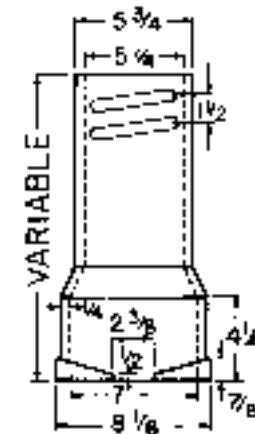
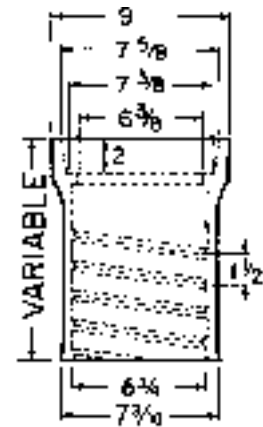
5/4" shaft, screw-type  
 (Base required, order separately)

New ways to save on valve boxes. Eliminate extra handling by buying pre-assembled units. Save on single parts and accessories. Lower unit cost by purchasing Valu-Paks of 30 to 80 pieces of tops and bottoms in crates. Three levels of pricing to keep you competitive.

<b>THREE WAYS TO SAVE</b>			
<b>6860 BOX PRICES AT DIFFERENT LEVELS</b>			
Box	Level 1 Boxes Assembled	Level 2 Individual Parts Not Assembled	Level 3 VALU-PAK Parts Not Assembled
AA	....	47.50	45.10
A	....	67.70	64.30
B	79.00	73.60	69.90
C	87.00	77.20	73.30
CC	93.00	86.70	82.40
D	113.00	98.50	93.50
DD	121.00	108.00	102.60
E	....	117.50	111.60
F	....	138.80	131.80
G	....	151.90	144.30

Note: A "BOX" is one top and one bottom

Level Two Top

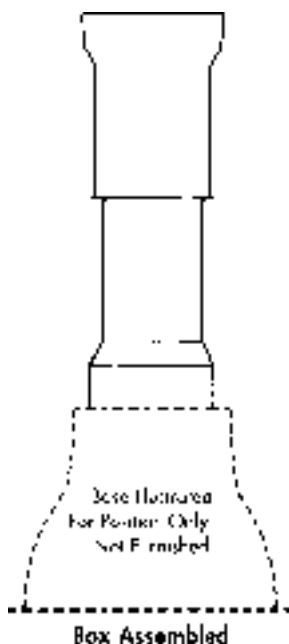


Level Two Bottom

**LEVEL ONE**

Boxes assembled/less bases & lids

Lids marked "WATER" will ship unless otherwise specified:  
 Also available 5-1/4 Drop Lids:  
 WATER OMA  
 GAS  
 SEWER  
 M W W  
 (PLAIN)



**LEVEL ONE: BOXES ASSEMBLED/  
 LESS BASES & LIDS**

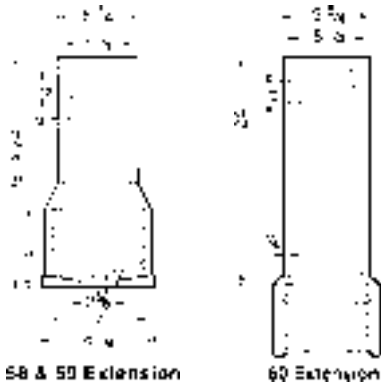
Box (Components)	Extension Height	UPC No. 670610	Weight	List Price
AA(10T+12B)	27-37	(Not Offered)	Assembled	
A(16T+18B)	33-42	(Not Offered)	Assembled	
B(16T+24B)	39-49	145936	66	79.00
C(16T+30B)	45-54	145943	73	87.00
CC(16T+36B)	51-60	145950	77	93.00
D(26T+30B)	45-66	145967	88	113.00
DD(26T+36B)	51-72	145974	92	121.00
E(16T+24B+#60 Ext)	63-72	(Not Offered)	Assembled	
F(26T+24B+#60 Ext)	63-84	(Not Offered)	Assembled	
G(26T+36B+#60 Ext)	74-94	(Not Offered)	Assembled	

NOTE: Order required lids & bases separately.

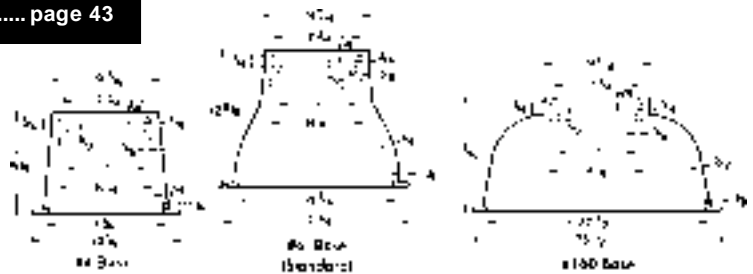
**LEVEL TWO-Parts Not Assembled/Less Base & Lids**

**TOPS & BOTTOMS** Practical Ways to Control Inventory

Box (Components)	Tops (less lids)					Bottoms				Extensions	
	Assy Height	UPC No. 670610	Lgt	Wt	List Each	UPC No. 670610	Lgt	Wt	List Each	UPC No. 670610	List Each
AA(10T+12B)	27-31	144939	10T	22	22.60	145134	12B	16	24.90		
A(16T+18B)	33-42	144946	16T	36	32.10	145141	18B	29	35.60		
B(16T+24B)	39-49	144946	16T	36	32.10	145158	24B	30	41.50		
C(16T+30B)	45-54	144946	16T	36	32.10	145165	30B	37	45.10		
CC(16T+36B)	51-60	144946	16T	36	32.10	145172	36B	41	54.60		
D(26T+30B)	45-66	144953	26T	51	53.40	145165	30B	37	45.10		
DD(26T+36B)	51-72	144953	26T	51	53.40	145172	36B	41	54.60		
E(16T+24B+#60 Ext)	63-72	144946	16T	36	32.10	145158	24B	30	41.50	145059	43.90
F(26T+24B+#60 Ext)	63-84	144953	26T	51	53.40	145158	24B	30	41.50	145059	43.90
G(26T+36B+#60 Ext)	74-94	144953	26T	51	53.40	145172	36B	41	54.60	145059	43.90



**LIDS & RISERS:**  
 All Lids ..... page 42  
 All Risers ..... page 43



**EXTENSIONS**

Item/Description	UPC No. 670610	Height Increase	Wt	List Price
#58 Screw-Type	145141	14	29	35.60
#59 Screw-Type	145158	18	30	41.50
#60 Screw-Type	145059	24	37	43.90

**BASES**

Item/Description	UPC No. 670610	Weight	List Price
#4, 11 1/4" Wide	145653	34	38.00
#6, 14 3/4" Wide	145660	45	46.30
#160, 20 1/2" Wide	145684	68	70.10

**LEVEL THREE**

Valu-Pak crates of tops and bottoms, not assembled, less bases and lids. Lowest unit cost/easy to handle/ships from stock.

**TOPS OR BOTTOMS**

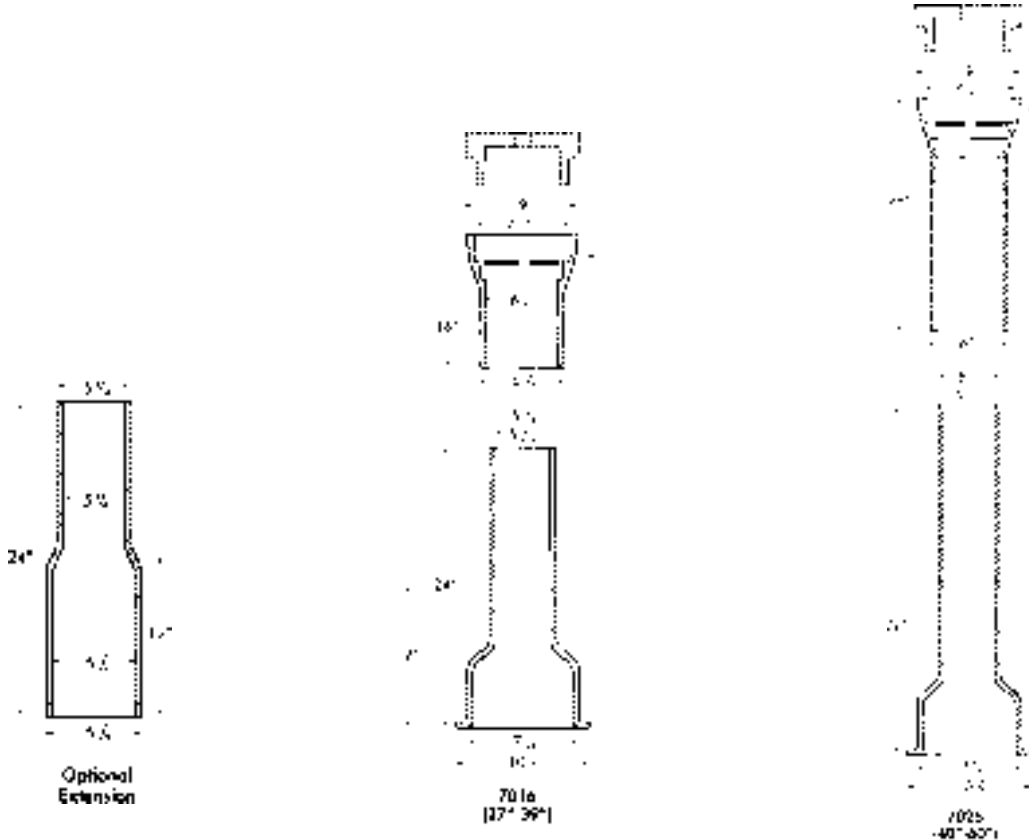
Box (Components)	Tops (less lids)					Bottoms (less base)				
	UPC No. 670610	Lgt	Wt	Qty	List Crate	UPC No. 670610	Lgt	Wt	Qty	List Crate
AA(10T+12B)	376910	10T	1760	80	1718.00					
A(16T+18B)	376927	16T	2160	60	1830.00	377085	18B	1740	60	2029.00
B(16T+24B)	376927	16T	2160	60	1830.00	377092	24B	900	30	1183.00
C(16T+30B)	376927	16T	2160	60	1830.00	377108	30B	1110	30	1285.00
CC(16T+36B)	376927	16T	2160	60	1830.00	377115	36B	1230	30	1556.00
D(26T+30B)	376934	26T	1530	30	1522.00	377108	30B	1110	30	1285.00
DD(26T+36B)	376934	26T	1530	30	1522.00	377115	36B	1230	30	1556.00
E(16T+24B+#60 Ext)	376927	16T	2160	60	1830.00	377092	24B	900	30	1183.00
F(26T+24B+#60 Ext)	376934	26T	1530	30	1522.00	377092	24B	900	30	1183.00
G(26T+36B+#60 Ext)	376934	26T	1530	30	1522.00	377115	36B	1230	30	1556.00

\*Extensions

#60 Screw-Type	376989	1080	30	1251.00
----------------	--------	------	----	---------

NOTES: To get equal numbers, order two crates of bottoms for each crate of tops for B, C, CC and E.  
 Order bases & lids separately, see above.

**LP-5041**  
**7000 SERIES TYLER TY-SPUN**  
**ADJUSTABLE VALVE BOX WITH O-RING**  
 Sold Individually or in Valu-Paks of 12  
5 1/4" Water Lid Sold Separately



**7016-7026 STANDARD (Individual Box)**

Item	Assembly Height	UPC No. 670610	Each	Weight Each	List Price Each	Weight Bndl. (12)	List Price Bndl. (12)
7016 (16T+24B)	27-39	376224	1	79	60.40		
7026 (26T+36B)	40-60	376231	1	106	87.60		

**VALU-PAKS (12 per pack)**

Item	Height	UPC No.	Weight	List Price
7016 (16T)	16	382706	444	308.00
7026 (26T)	26	382737	588	524.00
7000 (24B)	24	382720	360	376.00
7000 (36B)	36	382751	540	479.00

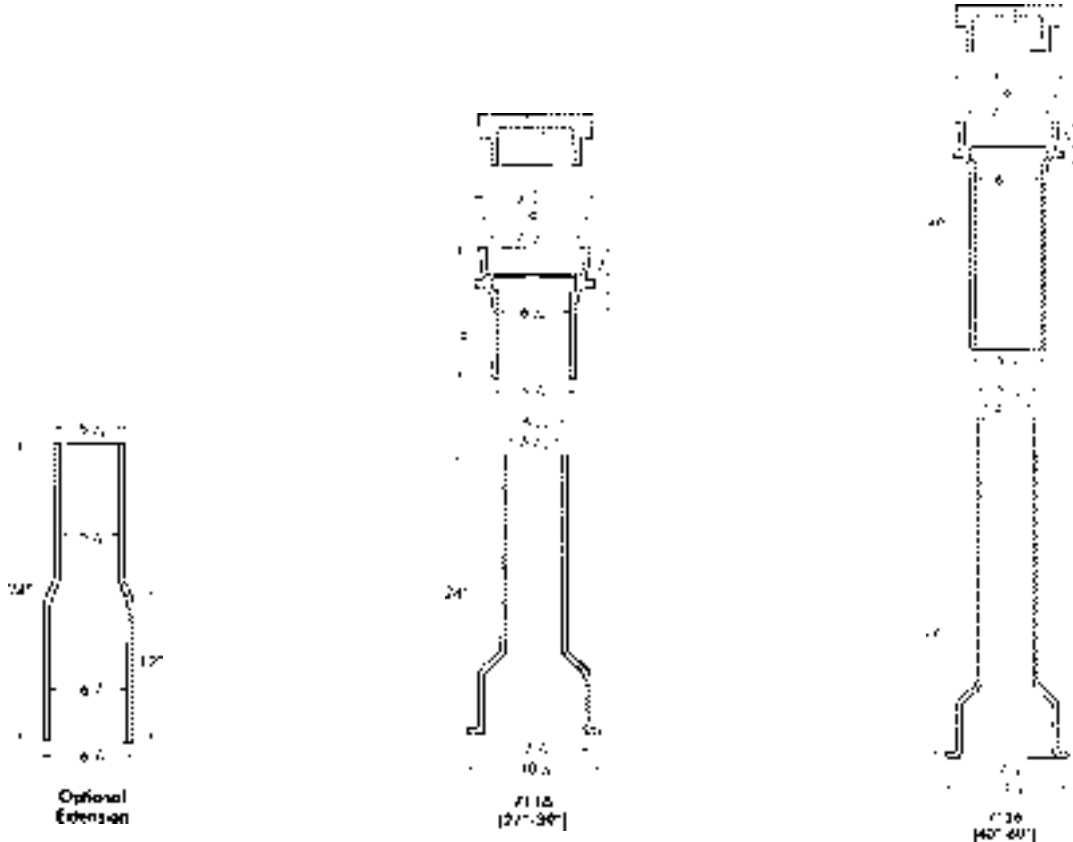
**7000 SERIES PARTS**

Item	Height Increase	UPC No. 670610	Weight	List Price
Extension	24"	372981	28.0	36.70
*O-Ring	...	370390	0.2	2.30

\*O-Ring must be shipped with each extension piece.

**Optional Lids .... page 42**  
**Risers ..... page 43**

**LP-5041**  
**7100 SERIES TYLER TY-SPUN**  
**ADJUSTABLE VALVE BOX WITH O-RING**  
 Sold Individually or in Valu-Paks of 12  
5 1/4" Water Lid Sold Separately



**7116-7126 STANDARD (Individual Box)**

Item	Assembly Height	UPC No. 670610	Each	Weight Each	List Price Each	Weight Bndl. (12)	List Price Bndl. (12)
7116 (16T+24B)	27-39	376781	1	79	62.20		
7126 (26T+36B)	40-60	376798	1	106	90.40		

**VALU-PAKS (12 per pack)**

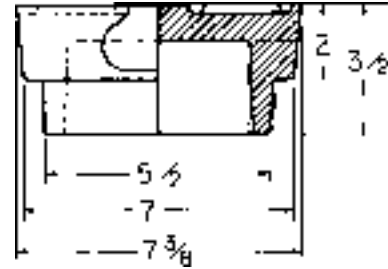
7116 (16T)	16	382713				444	328.00
7126 (26T)	26	382744				588	547.00
7000 (24B)	24	382720				360	376.00
7000 (36B)	36	382751				540	479.00

**7000 SERIES PARTS**

Item	Height Increase	UPC No. 670610	Weight	List Price
Extension	24"	372981	28.0	36.70
*O-Ring	...	370390	0.2	2.30

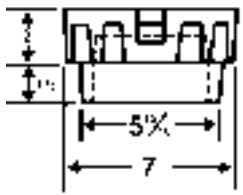
\*O-Ring must be shipped with each extension piece.

**Optional Lids ... page 42**  
**Risers ..... page 43**

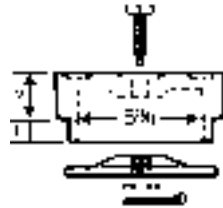


**5 1/4" MWW DROP LID**

UPC No	Ship Code	Weight	List Price
670610	N	12	14.20



**Drop Lid**

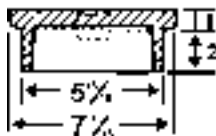
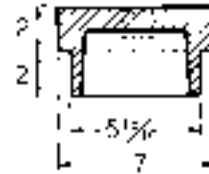


**Lock Lid**



**5 1/4" OMA DROP LID**

UPC No	Ship Code	Special Markings	Weight	List Price
670610	N	WATER OMA*	12	14.20

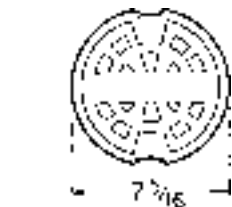


**1-1/8" Lid\***

**LIDS ("WATER")**

Item/Description	UPC No.	Weight	List Price
5 1/4 Drop Lid	145325	12	14.20
5 1/4 Lock Lid	145462	12	24.90
1 1/8 Lid*	145509	12	14.20

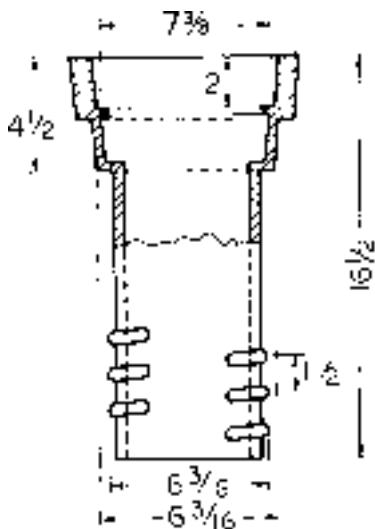
\*Used with 1 1/8" Riser Only



**5 1/4" DROP LID W/SPECIAL MARKINGS\***

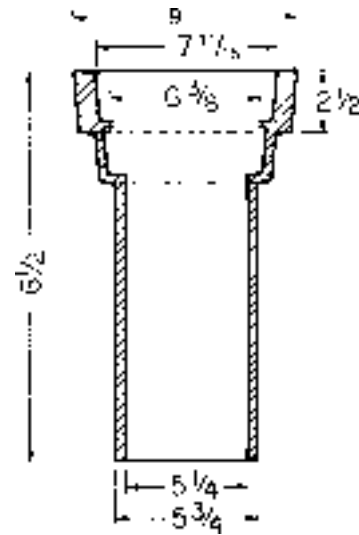
UPC No	Ship Code	Special Markings	Weight	List Price
670610	S	GAS	12	14.20
145332	S	SEWER	12	14.20
145349	S	PLAIN	12	14.20

\*Lids marked with "Water" will be shipped unless otherwise specified.



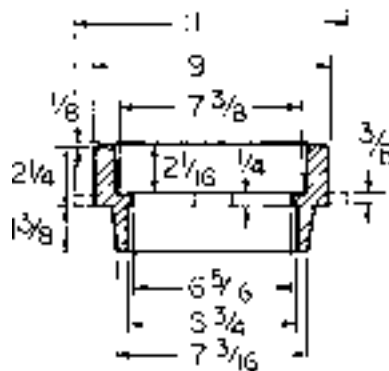
**#69 SCREW TYPE ADJUSTABLE RISER  
 FOR 6850/60 SERIES  
 (Uses Standard Drop Lid)**

UPC No	Ship Code	Height Increase	Weight	List Price
670610				
148197	S	2 1/2"-9"	32	41.50

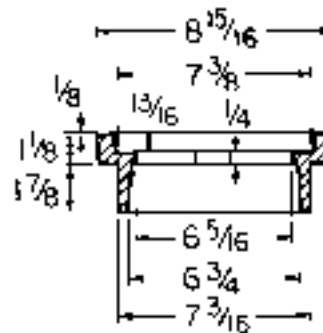


**#69-A SLIP TYPE ADJUSTABLE RISER  
 FOR 6855 SERIES  
 (Uses Standard Drop Lid)**

UPC No	Ship Code	Height Increase	Weight	List Price
670610				
148241	S	2 1/2"-12"	31	41.50



**5 1/4" x 2 1/4" Riser  
 (Uses Standard 5 1/4"  
 Drop Lid)**

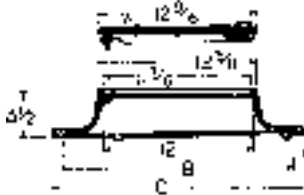
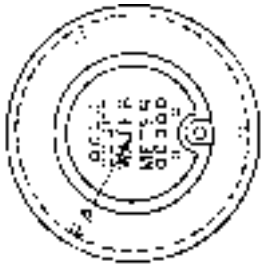


**5 1/4" x 1 1/8" Riser  
 (Requires 1 1/8"  
 Riser Lid)**

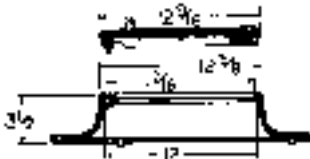
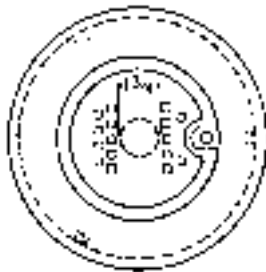
**RISERS**

Item/Description	UPC No.	Height Increase	Weight	List Price
5 1/4 x 1 1/8 Slip-In*	145554	1 1/8"	8	27.30
5 1/4 x 2 1/4 Slip-In	145547	2 1/4"	14	27.30

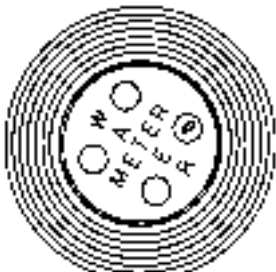
\*Use with 1 1/8" Lid Only.



6150 Meter Box Cover



6150TR Meter Cover



6200 Meter Cover

**6150 & 6150TR METER COVERS,  
 CAST IRON**

Description	A	B	C
18-in. 6150 Series	8 3/4	18	20
20-in. 6150	9 3/4	20	22

UPC No	Ship Code	Description	Weight	List Price
670610				
148449	S	6150-18 Ring & Lid B/L*	39	57.00
148456	S	6150-18 Ring & Lid B/S*	39	57.00
148647	S	6150-18 Ring Only	28	38.00
148494	S	6150-18/20 Lid With Lock B/L*	11	20.00
148593	S	6150-L-18/20 Lid Less Lock	12	16.00
148500	S	6150-18/20 Lid With Lock B/S*	11	20.00
148463	S	6150-20 Ring & Lid B/L*	40	58.00
148470	S	6150-20 Ring & Lid B/S*	40	58.00
148630	S	6150-R-20 Ring Only	30	39.00

\*B/L = Large Bolts (1"); B/S = Small Bolts (27/32")

**6150TR (TOUCH-READER) METER COVERS, CAST IRON**

UPC No	Ship Code	Description	Weight	List Price
670610				
148531	S	6150-18 TR Ring & Lid B/L*	40	61.00
148524	S	6150-18 TR Ring & Lid B/S*	40	61.00
148579	S	6150-18/20 TR Lid With Lock B/L*	11	22.00
148562	S	6150-18/20 TR Lid With Lock B/S*	11	22.00
148586	S	6150-18/20 TR Lid Less Lock	10	20.00
148555	S	6150-20 TR Ring & Lid B/L*	40	62.00
148548	S	6150-20 TR Ring & Lid B/S*	40	62.00

\*B/L = Large Bolts (1"); B/S = Small Bolts (27/32")

**NOTE: 6150TR - Same dimensions as 6150,  
 plus a 1 3/4" access hole in lid.**

**6200 METER COVER, CAST IRON**

UPC No	Ship Code	Description	Weight	List Price
670610				
148708	S	6200 Ring & Lid Less Lock	28	39.00
148760	S	6200-R Ring Only	17	23.00
148739	S	6200-L Lid Less Lock	13	20.00
148722	S	6200-L Lid With Lock	13	23.00

# MJ COMPACT EPOXY COATED

## LP-5041

## Tyler/Union C153 DI Epoxy Coated Fittings

UPC 670610	Ship Code	Size	Less Accessories	With Accessories	Weight	UPC 670610	Ship Code	Size	Less Accessories	With Accessories	Weight
<b>90° (1/4) MJ BEND</b>						<b>90° (1/4) MJxPE BEND</b>					
395324	N	3	\$54.00	\$90.00	20	395393	N	3	\$70.00	\$88.00	20
397243	N	4	63.00	99.00	26	395836	N	4	78.00	96.00	26
395331	N	6	100.00	146.00	48	396888	N	6	124.00	147.00	45
397267	N	8	157.00	211.00	68	397038	N	8	182.00	209.00	65
397281	N	10	245.00	317.00	102	397694	N	10	297.00	333.00	108
397298	N	12	315.00	393.00	141	397700	N	12	375.00	414.00	135
053392	N	14	722.00	878.00	220	084747	N	14	862.00	940.00	220
035640	N	16	823.00	1001.00	264	053422	N	16	997.00	1086.00	254
402275	N	18	1576.00	1920.00	411	106388	N	24	3687.00	3884.00	710
109488	N	20	1815.00	2179.00	505	<b>45° (1/8) MJxPE BEND</b>					
053286	N	24	2820.00	3214.00	695	395416	N	3	\$68.00	\$86.00	16
120346	N	30	5297.00	6243.00	1139	395423	N	4	75.00	93.00	22
<b>45° (1/8) MJ BEND</b>						395430	N	6	103.00	126.00	37
395348	N	3	\$50.00	\$86.00	16	398271	N	8	152.00	179.00	55
397472	N	4	58.00	94.00	22	397724	N	10	235.00	271.00	78
397564	N	6	88.00	134.00	38	397731	N	12	297.00	336.00	104
397274	N	8	137.00	191.00	56	053439	N	14	642.00	720.00	153
397618	N	10	189.00	261.00	81	053446	N	16	798.00	887.00	201
397304	N	12	258.00	336.00	111	108184	N	24	2816.00	3013.00	490
053408	N	14	543.00	699.00	164	<b>22½° (1/16) MJxPE BEND</b>					
398912	N	16	633.00	811.00	202	395447	N	3	\$70.00	\$88.00	16
402466	S	18	1166.00	1510.00	292	395454	N	4	76.00	94.00	20
109495	N	20	1413.00	1777.00	348	396895	N	6	103.00	126.00	33
053293	N	24	2075.00	2469.00	475	397502	N	8	152.00	179.00	51
120353	N	30	4204.00	5150.00	780	397748	N	10	239.00	275.00	66
029878	N	36	6192.00	7408.00	1135	397755	N	12	302.00	341.00	89
<b>22½° (1/16) MJ BEND</b>						084457	N	14	654.00	732.00	152
395355	N	3	\$52.00	\$88.00	16	084754	N	16	830.00	919.00	181
397489	N	4	58.00	94.00	21	053385	N	24	2877.00	3074.00	455
395362	N	6	90.00	136.00	37	<b>11¼° (1/32) MJxPE BEND</b>					
397571	N	8	139.00	193.00	51	395461	N	3	\$70.00	\$88.00	15
397632	N	10	191.00	263.00	67	395478	N	4	78.00	96.00	20
397311	N	12	261.00	339.00	80	396901	N	6	107.00	130.00	32
297963	N	14	560.00	716.00	148	397519	N	8	157.00	184.00	44
397717	N	16	633.00	811.00	179	397762	N	10	239.00	275.00	60
109501	S	18	1179.00	1523.00	292	397779	N	12	302.00	341.00	79
109518	N	20	1524.00	1888.00	364	084426	N	14	654.00	732.00	133
053309	N	24	2190.00	2584.00	460	084761	N	16	830.00	919.00	161
120360	N	30	4354.00	5300.00	664	105909	N	24	2877.00	3074.00	475
<b>11¼° (1/32) MJ BEND</b>						<b>90° (1/4) MJxFE BEND</b>					
395379	N	3	\$54.00	\$90.00	15	395485	N	3	\$98.00	\$116.00	21
397496	N	4	64.00	100.00	20	395492	N	4	108.00	126.00	28
395386	N	6	90.00	136.00	33	396918	N	6	152.00	175.00	46
396871	N	8	142.00	196.00	48	397625	N	8	238.00	265.00	73
397328	N	10	193.00	265.00	61	398325	N	10	351.00	387.00	113
397649	N	12	265.00	343.00	79	397786	N	12	441.00	480.00	155
053415	N	14	554.00	710.00	136	084778	N	14	1002.00	1080.00	227
035657	N	16	674.00	852.00	159	084464	N	16	1102.00	1191.00	278
154068	N	18	1192.00	1536.00	292						
109525	N	20	1388.00	1752.00	377						
109532	N	24	2061.00	2455.00	485						

# MJ COMPACT EPOXY COATED

## Tyler/Union C153 DI Epoxy Coated Fittings

**LP-5041**

UPC 670610	Ship Code	Size	Less Accessories	With Accessories	Weight	UPC 670610	Ship Code	Size	Less Accessories	With Accessories	Weight
---------------	--------------	------	---------------------	---------------------	--------	---------------	--------------	------	---------------------	---------------------	--------

### 45° (1/8) MJxFE BEND

398462	N	4	\$110.00	\$128.00	34
398479	N	6	154.00	177.00	57
398486	N	8	237.00	264.00	83
398493	N	10	355.00	391.00	122
398509	N	12	449.00	488.00	159
085843	N	14	1002.00	1080.00	207
085850	N	16	1123.00	1212.00	290

### 22½° (1/16) MJxFE BEND

398516	N	4	\$110.00	\$128.00	34
398523	N	6	155.00	178.00	57
398530	N	8	240.00	267.00	83
398547	N	10	355.00	391.00	122
398554	N	12	449.00	488.00	159

### 11¼° (1/32) MJxFE BEND

398561	N	4	\$110.00	\$128.00	19
398578	N	6	155.00	178.00	30
398585	N	8	240.00	267.00	50
398592	N	10	347.00	383.00	75
398608	N	12	440.00	479.00	88

### MJ WYE (Not included in AWWA C153)

396925	N	3	\$191.00	\$245.00	37
396932	N	4x3	204.00	258.00	39
396949	S	4	212.00	266.00	45
396956	N	6x4	254.00	318.00	67
397465	N	6	261.00	330.00	93
398332	N	8x4	348.00	420.00	93
398349	N	8x6	354.00	431.00	113
397793	N	8	391.00	472.00	136
397809	N	10x4	680.00	770.00	118
397816	N	10x6	684.00	779.00	129
397823	N	10x8	714.00	813.00	170
397830	N	10	736.00	844.00	188
397847	N	12x4	846.00	942.00	150
397854	N	12x6	862.00	963.00	186
397861	N	12x8	918.00	1023.00	188
397878	N	12x10	1097.00	1211.00	223
397885	N	12	1104.00	1221.00	272
107118	N	14	2513.00	2747.00	465
053453	N	16x6	2054.00	2255.00	300
107125	N	16x8	2175.00	2380.00	350
106395	N	16x12	2392.00	2609.00	465
109549	N	16	3130.00	3397.00	575

### MJxFE ADAPTER (6" Laying Length)

395508	N	3	\$90.00	\$108.00	18
395515	N	4	97.00	115.00	24
395522	N	6	102.00	125.00	36
397588	N	8	138.00	165.00	52
397250	S	10	173.00	209.00	67
397335	N	12	203.00	242.00	80
053460	N	14	433.00	511.00	127
053477	N	16	523.00	612.00	155
085867	N	20	1189.00	1371.00	275

### FExPE ADAPTER (12" Laying Length)

395539	N	4	\$74.00	N/A	23
395546	N	6	104.00	N/A	35
396963	N	8	160.00	N/A	50
396970	N	10	245.00	N/A	69
085874	N	12	313.00	N/A	88
085881	N	16	580.00	N/A	149

### MJ TEE

395553	N	3	\$76.00	\$130.00	26
395560	N	4x3	97.00	151.00	35
395577	S	4	95.00	149.00	35
395584	N	6x3	121.00	185.00	51
395591	S	6x4	125.00	189.00	52
396987	S	6	137.00	206.00	66
397526	N	8x3	187.00	259.00	68
397212	S	8x4	179.00	251.00	71
397342	S	8x6	193.00	270.00	79
397359	S	8	212.00	293.00	90
397892	N	10x3	259.00	349.00	80
398356	S	10x4	258.00	348.00	82
397229	S	10x6	268.00	363.00	99
398363	S	10x8	277.00	376.00	116
397366	S	10	315.00	423.00	120
397908	N	12x3	328.00	424.00	99
398370	S	12x4	329.00	425.00	108
397373	S	12x6	332.00	433.00	115
397380	S	12x8	346.00	451.00	126
397915	S	12x10	410.00	524.00	159
398905	N	12	430.00	547.00	166
053484	N	14x6	714.00	893.00	183
053491	N	14x8	920.00	1103.00	211
368076	N	14x10	1154.00	1346.00	229
053507	N	14x12	1016.00	1211.00	235
053514	N	14	1072.00	1306.00	281
397922	N	16x6	935.00	1136.00	229
397939	S	16x8	948.00	1153.00	245
053521	N	16x10	1071.00	1285.00	265
397946	S	16x12	989.00	1206.00	281
084785	N	16x14	1214.00	1470.00	317
397953	S	16	1126.00	1393.00	337
402299	S	18x6	1711.00	2078.00	275
402305	N	18x8	1772.00	2143.00	280
109556	N	18x10	2170.00	2550.00	301
109563	N	18x12	1996.00	2379.00	372
106401	N	18x14	2334.00	2756.00	415
109570	N	18x16	2151.00	2584.00	476
402282	N	18	2450.00	2966.00	490
108856	N	20x6	1717.00	2104.00	335
109587	N	20x8	1730.00	2121.00	383
109600	N	20x10	2484.00	2884.00	410
109617	N	20x12	2022.00	2425.00	432
108863	N	20x14	2443.00	2885.00	514
109624	N	20x16	2307.00	2760.00	553
106418	N	20x18	2884.00	3420.00	560
109631	N	20	2618.00	3164.00	605

# MJ COMPACT EPOXY COATED

## LP-5041

## Tyler/Union C153 DI Epoxy Coated Fittings

UPC 670610	Ship Code	Size	Less Accessories	With Accessories	Weight	UPC 670610	Ship Code	Size	Less Accessories	With Accessories	Weight
---------------	--------------	------	---------------------	---------------------	--------	---------------	--------------	------	---------------------	---------------------	--------

### MJ TEE (Con't)

053378	N	24x6	\$2489.00	\$2906.00	454
109365	N	24x8	2865.00	3286.00	475
109648	N	24x10	3071.00	3501.00	505
109372	N	24x12	2891.00	3324.00	545
106425	N	24x14	3739.00	4211.00	585
109655	N	24x16	3046.00	3529.00	625
293408	N	24x18	4697.00	5263.00	721
109747	N	24x20	3915.00	4491.00	740
109754	N	24	3862.00	4453.00	830
100287	N	30x6	3603.00	4572.00	717

### MJxFE TEE

395607	N	3	\$110.00	\$146.00	29
395614	N	4x3	111.00	147.00	34
395621	N	4	125.00	161.00	38
396994	N	6x3	183.00	229.00	54
397007	N	6x4	197.00	243.00	57
397595	N	6	203.00	249.00	64
397533	N	8x4	267.00	321.00	82
397397	S	8x6	278.00	332.00	83
397403	N	8	297.00	351.00	101
397960	N	10x4	376.00	448.00	92
397410	N	10x6	378.00	450.00	116
397977	N	10x8	405.00	477.00	128
397984	N	10	465.00	537.00	144
397991	N	12x4	464.00	542.00	118
397427	N	12x6	466.00	544.00	133
398004	N	12x8	489.00	567.00	146
398011	N	12x10	578.00	656.00	174
398028	N	12	596.00	674.00	198
053569	N	14x6	903.00	1059.00	205
084433	N	14x10	1202.00	1358.00	244
084792	N	14x12	1299.00	1455.00	276
084808	N	14	1510.00	1666.00	302
053590	N	16x6	1147.00	1325.00	213
053606	N	16x8	1177.00	1355.00	260
084815	N	16x10	1255.00	1433.00	281
053613	N	16x12	1261.00	1439.00	304
084822	N	16x14	1691.00	1869.00	357
084839	N	16	1960.00	2138.00	374
109389	N	18x6	1798.00	2142.00	261
086109	N	18x8	2782.00	3126.00	351
109396	N	20x6	2527.00	2891.00	372
109402	N	24x6	3046.00	3440.00	460
086116	N	24x12	5532.00	5926.00	580
109808	N	24x16	6446.00	6840.00	744

### MJxPExMJ TEE

398615	N	6	\$273.00	\$319.00	57
398622	N	8x6	373.00	423.00	79
398639	S	8	289.00	343.00	83
398646	N	10	557.00	629.00	133

### MJxSWIVEL TEE (Includes Swivel Gland)

398820	S	6	\$217.00	\$263.00	78
398844	S	8x6	268.00	322.00	95
109822	N	8	313.00	367.00	116
110927	N	10x6	379.00	451.00	111
109839	N	10x8	442.00	514.00	138
398851	N	12x6	465.00	543.00	132
109846	N	12x8	539.00	617.00	149
109853	N	14x6	909.00	1065.00	211
109860	N	16x6	1016.00	1194.00	248
109877	N	18x6	2009.00	2353.00	330
109884	N	20x6	1892.00	2256.00	391
109891	N	24x6	2928.00	3322.00	478

### MJ TEE TAPPED (2" IPT Only) SEE NOTE

395638	N	3	\$88.00	\$124.00	20
395645	N	4	86.00	122.00	24
395652	N	6	107.00	153.00	37
395669	N	8	155.00	209.00	53
398387	N	10	196.00	268.00	67
398394	N	12	251.00	329.00	83
053620	N	16	749.00	927.00	162

### PLUG SOLID

400639	N	3	\$25.00	N/A	8
398837	S	4	26.00	N/A	10
398868	S	6	43.00	N/A	18
399131	S	8	63.00	N/A	26
051114	S	10	90.00	N/A	36
051121	S	12	115.00	N/A	46
107187	N	14	291.00	N/A	79
051138	S	16	377.00	N/A	100
052616	N	18	610.00	N/A	128
052623	N	20	655.00	N/A	158
072041	N	24	1050.00	N/A	202

### PLUG TAPT (2" IPT Only) SEE NOTE

333579	N	3-2	\$45.00	N/A	9
398875	S	4-2	46.00	N/A	10
398882	S	6-2	66.00	N/A	18
398899	S	8-2	84.00	N/A	26
401551	N	10-2	110.00	N/A	36
107132	N	12-2	135.00	N/A	47
105879	N	14-2	324.00	N/A	79
402459	N	16-2	409.00	N/A	98
084396	N	18-2	692.00	N/A	138
084402	N	20-2	782.00	N/A	161
084419	N	24-2	1225.00	N/A	223

**NOTE - For Tapped Tees, Plugs and Caps Only:** We stock 2" IPT Taps only. For all tap sizes other than 2" IPT up to a 4" maximum a \$75.00 NET CHARGE will be added to the corresponding 2" tapped fitting cost. Special tapped fittings are non-cancellable and non-returnable. Contact CSR for details

# MJ COMPACT EPOXY COATED

## Tyler/Union C153 DI Epoxy Coated Fittings

LP-5041

UPC 670610	Ship Code	Size	Less Accessories	With Accessories	Weight	UPC 670610	Ship Code	Size	Less Accessories	With Accessories	Weight
---------------	--------------	------	---------------------	---------------------	--------	---------------	--------------	------	---------------------	---------------------	--------

### SOLID SLEEVE SHORT

107101	N	3	\$45.00	\$81.00	13
037408	S	4	48.00	84.00	19
395676	S	6	68.00	114.00	28
398257	S	8	91.00	145.00	38
398264	S	10	123.00	195.00	49
397236	S	12	139.00	217.00	62
072157	N	14	333.00	489.00	116
398660	S	16	407.00	585.00	138
402312	N	18	875.00	1219.00	160
086123	N	20	972.00	1336.00	212
086147	N	24	1390.00	1784.00	272

### SOLID SLEEVE LONG

397557	S	3	\$63.00	\$99.00	22
395683	S	4	65.00	101.00	25
395690	S	6	96.00	142.00	39
397014	S	8	125.00	179.00	53
397656	S	10	159.00	231.00	64
397663	S	12	198.00	276.00	82
052630	N	14	436.00	592.00	141
398929	S	16	512.00	690.00	172
053644	N	18	1089.00	1433.00	200
052647	N	20	1101.00	1465.00	269
052654	N	24	1543.00	1937.00	377

### CAP SOLID

402329	N	3	\$25.00	\$43.00	8
398691	S	4	26.00	44.00	10
398707	S	6	41.00	64.00	17
398714	S	8	64.00	91.00	25
398653	S	10	89.00	125.00	32
398721	S	12	108.00	147.00	44
108177	N	14	317.00	395.00	85
053248	N	16	343.00	432.00	93
052661	N	18	520.00	692.00	122
052678	N	20	557.00	739.00	152
072058	N	24	882.00	1079.00	202

### CAP TAPT (2" IPT Only) SEE NOTE

351238	N	3-2	\$46.00	\$64.00	8
398738	S	4-2	48.00	66.00	10
398745	S	6-2	65.00	88.00	17
398752	S	8-2	88.00	115.00	25
401568	N	10-2	108.00	144.00	32
398769	N	12-2	132.00	171.00	44
084730	N	14-2	363.00	441.00	85
109792	N	16-2	385.00	474.00	93
084471	N	18-2	622.00	794.00	125
084488	N	20-2	700.00	882.00	148
084693	N	24-2	1101.00	1298.00	205

### MJ REDUCER

395706	S	4x3	\$55.00	\$91.00	18
395713	N	6x3	70.00	111.00	28
395720	S	6x4	68.00	109.00	27
047773	S	8x4	98.00	143.00	36
397601	S	8x6	107.00	157.00	40
398288	N	10x4	125.00	179.00	53
398295	S	10x6	127.00	186.00	59
397434	S	10x8	143.00	206.00	54
397106	N	12x4	170.00	227.00	67
397670	N	12x6	170.00	232.00	67
397687	S	12x8	187.00	253.00	64
397441	S	12x10	204.00	279.00	78
053651	N	14x6	385.00	486.00	104
072164	N	14x8	385.00	490.00	104
053668	N	14x10	366.00	480.00	100
084358	N	14x12	424.00	541.00	97
053675	N	16x6	433.00	545.00	132
052685	N	16x8	443.00	559.00	136
084365	N	16x10	480.00	605.00	128
398400	S	16x12	487.00	615.00	122
053682	N	16x14	596.00	763.00	140
053699	N	18x8	929.00	1128.00	190
053705	N	18x10	1189.00	1397.00	196
053712	N	18x12	1049.00	1260.00	185
053729	N	18x14	1093.00	1343.00	197
053736	N	18x16	1036.00	1297.00	196
105893	N	20x10	1179.00	1397.00	225
109419	N	20x12	1182.00	1403.00	210
109815	N	20x14	1623.00	1883.00	208
109761	N	20x16	1388.00	1659.00	238
109426	N	20x18	1638.00	1992.00	250
109433	N	24x12	1621.00	1857.00	327
105886	N	24x14	2116.00	2391.00	315
086154	N	24x16	1815.00	2101.00	324
154020	N	24x18	1902.00	2271.00	328
109778	N	24x20	1943.00	2322.00	334
080282	N	30x16	2043.00	2605.00	475
061366	N	30x18	2203.00	2848.00	495
080305	N	30x20	2268.00	2923.00	525

### SMALL END BELL (SEB) REDUCER

395737	N	4x3	\$52.00	\$70.00	17
395744	N	6x3	64.00	82.00	25
395751	S	6x4	71.00	89.00	26
395768	N	8x4	99.00	117.00	34
398776	S	8x6	110.00	133.00	38
398035	N	10x4	122.00	140.00	46
398301	S	10x6	133.00	156.00	48
398417	S	10x8	143.00	170.00	52
398042	N	12x4	166.00	184.00	61
397045	S	12x6	175.00	198.00	58
397458	S	12x8	189.00	216.00	62
397052	S	12x10	198.00	234.00	62
053743	N	14x6	430.00	453.00	107
053750	N	14x8	448.00	475.00	107
053767	N	14x10	459.00	495.00	102

**NOTE - For Tapped Tees, Plugs and Caps Only:** We stock 2" IPT Taps only. For all tap sizes other than 2" IPT up to a 4" maximum a \$75.00 NET CHARGE will be added to the corresponding 2" tapped fitting cost. Special tapped fittings are non-cancellable and non-returnable. Contact CSR for details

# MJ COMPACT EPOXY COATED

## LP-5041

## Tyler/Union C153 DI Epoxy Coated Fittings

UPC 670610	Ship Code	Size	Less Accessories	With Accessories	Weight	UPC 670610	Ship Code	Size	Less Accessories	With Accessories	Weight
<b>SMALL END BELL (SEB) REDUCER (Con't)</b>						<b>PEXPE REDUCER</b>					
053897	N	14x12	\$464.00	\$503.00	101	395805	N	4x3	\$52.00	N/A	18
053262	N	16x6	457.00	480.00	131	395812	N	6x3	70.00	N/A	20
053903	N	16x8	459.00	486.00	128	395829	S	6x4	74.00	N/A	25
052708	N	16x10	523.00	559.00	124	397021	N	8x4	98.00	N/A	33
052692	N	16x12	527.00	566.00	128	397540	S	8x6	121.00	N/A	36
053910	N	16x14	592.00	670.00	139	398080	N	10x6	159.00	N/A	49
052715	N	18x8	1034.00	1061.00	180	397076	N	10x8	164.00	N/A	47
084846	N	18x10	1173.00	1209.00	180	398097	N	12x4	175.00	N/A	60
053927	N	18x12	1049.00	1088.00	170	397083	N	12x6	191.00	N/A	58
084853	N	18x14	1089.00	1167.00	181	397090	S	12x8	205.00	N/A	60
053934	N	18x16	1271.00	1360.00	180	398448	N	12x10	216.00	N/A	59
105916	N	20x10	1163.00	1199.00	210	085027	N	14x12	484.00	N/A	100
109440	N	20x12	1167.00	1206.00	208	085034	N	16x6	479.00	N/A	128
107057	N	20x14	1395.00	1473.00	198	071938	N	16x8	482.00	N/A	136
109785	N	20x16	1254.00	1343.00	215	085041	N	16x10	537.00	N/A	128
107064	N	20x18	1642.00	1814.00	220	084389	N	16x12	547.00	N/A	113
109457	N	24x12	1601.00	1640.00	300	085140	N	16x14	692.00	N/A	133
105923	N	24x14	2078.00	2156.00	325	<b>ALL MJ CROSS</b>					
109464	N	24x16	1851.00	1940.00	319	108504	N	3	\$117.00	\$189.00	31
105930	N	24x18	1990.00	2162.00	310	108849	N	4x3	135.00	207.00	39
105947	N	24x20	2059.00	2241.00	305	398103	N	4	145.00	217.00	45
<b>LARGE END BELL (LEB) REDUCER</b>						398110	N	6x4	179.00	261.00	62
395775	N	4x3	\$55.00	\$73.00	18	398455	N	6	208.00	300.00	80
395782	N	6x3	71.00	94.00	28	398127	N	8x4	229.00	319.00	84
395799	S	6x4	73.00	96.00	27	398134	S	8x6	274.00	374.00	108
053279	N	8x4	98.00	125.00	36	037415	S	8	304.00	412.00	115
398783	S	8x6	111.00	138.00	38	398141	N	10x4	315.00	423.00	98
398059	N	10x4	124.00	160.00	48	398158	N	10x6	349.00	467.00	121
398424	N	10x6	134.00	170.00	50	398165	S	10x8	380.00	506.00	138
398318	N	10x8	148.00	184.00	51	398172	S	10	451.00	595.00	156
398066	N	12x4	180.00	219.00	64	398189	N	12x4	412.00	526.00	119
397069	N	12x6	183.00	222.00	63	398196	S	12x6	446.00	570.00	138
398431	S	12x8	196.00	235.00	62	398202	S	12x8	471.00	603.00	162
398073	N	12x10	205.00	244.00	63	398219	N	12x10	560.00	710.00	187
084860	N	14x6	403.00	481.00	112	398226	S	12	586.00	742.00	212
084877	N	14x8	413.00	491.00	108	085270	N	14x6	1378.00	1580.00	210
084884	N	14x10	420.00	498.00	100	085287	N	14x8	1421.00	1631.00	231
053941	N	14x12	493.00	571.00	96	085294	N	14x10	1442.00	1670.00	255
052852	N	16x6	482.00	571.00	144	084440	N	14x12	1532.00	1766.00	269
056027	N	16x8	484.00	573.00	136	072003	N	14	1643.00	1955.00	344
071907	N	16x10	523.00	612.00	116	398233	N	16x6	1707.00	1931.00	246
084372	N	16x12	527.00	616.00	116	398240	S	16x8	1528.00	1760.00	261
071914	N	16x14	605.00	694.00	135	072010	N	16x10	1643.00	1893.00	296
084976	N	18x8	968.00	1140.00	195	052722	N	16x12	1671.00	1927.00	310
084983	N	18x10	1039.00	1211.00	185	053255	N	16	1978.00	2334.00	410
084990	N	18x12	1058.00	1230.00	183						
085003	N	18x14	1071.00	1243.00	200						
085010	N	18x16	1135.00	1307.00	192						
107071	N	20x10	1130.00	1312.00	210						
105954	N	20x12	1195.00	1377.00	210						
110026	N	20x14	1204.00	1386.00	205						
107088	N	20x16	1276.00	1458.00	238						
105961	N	24x12	1642.00	1839.00	300						
107095	N	24x14	1832.00	2029.00	322						
109471	N	24x16	1900.00	2097.00	340						

# MJ COMPACT EPOXY COATED

## Tyler/Union C153 DI Epoxy Coated Fittings

LP-5041

UPC 670610	Ship Code	Size	Less Accessories	With Accessories	Weight	UPC 670610	Ship Code	Size	Less Accessories	With Accessories	Weight
---------------	--------------	------	---------------------	---------------------	--------	---------------	--------------	------	---------------------	---------------------	--------

### MJxFE DUAL PURPOSE CUTTING-IN SLEEVE (With Dual-Purpose Accessories)

109907	N	4	N/A	\$246.00	42
109914	N	6	N/A	270.00	61
109921	N	8	N/A	364.00	71
109938	N	10	N/A	475.00	105
109945	N	12	N/A	596.00	140

### SWIVELxSOLID HYDRANT ADAPTER (With Swivel Gland)

109952	N	6x13	\$150.00	N/A	52
109969	N	6x18	189.00	N/A	59
109976	N	6x24	228.00	N/A	75
109983	N	8x12	258.00	N/A	52

### SWIVELxSWIVEL ADAPTERS (With 2 Swivel Glands)

109990	N	6x12	\$173.00	N/A	28
110002	N	6x18	216.00	N/A	49
110019	N	6x24	223.00	N/A	52

### SWIVELxSWIVEL HYDRANT ELL

053125	N	6	\$208.00	N/A	74
--------	---	---	----------	-----	----

### MJ SPLIT SWIVEL GLAND ASSEMBLY

244509	N	6	N/A	\$45.00	8.5
--------	---	---	-----	---------	-----

# FULL BODY EPOXY COATED

## LP-5041

## Tyler/Union Ductile Iron C110 Epoxy Coated Fittings

UPC 670610	Ship Code	Size	List Price	Weight	UPC 670610	Ship Code	Size	List Price	Weight
---------------	--------------	------	---------------	--------	---------------	--------------	------	---------------	--------

### 90° (1/4) MJ BEND

272564	N	2	\$136.00	\$162.00	16
272335	N	3	111.00	145.00	35
272465	N	4	167.00	207.00	55
129912	N	6	226.00	286.00	85
130208	N	8	328.00	398.00	125
130277	N	10	501.00	583.00	190
130161	N	12	660.00	760.00	255
130376	N	14	1115.00	1289.00	380
130499	N	16	1343.00	1543.00	490
130512	N	18	2050.00	2380.00	602
130529	N	20	3298.00	3714.00	862
130536	N	24	4368.00	4854.00	1423
131076	N	30	8246.00	9624.00	1942
130079	N	36	12465.00	14041.00	2629

### 45° (1/8) MJ BEND

270638	N	2	\$121.00	\$147.00	16
272489	N	3	98.00	132.00	30
272502	N	4	151.00	191.00	50
250494	N	6	205.00	265.00	75
398936	N	8	287.00	357.00	110
130284	N	10	418.00	500.00	155
130291	N	12	554.00	654.00	215
130383	N	14	897.00	1071.00	311
130390	N	16	1364.00	1564.00	380
244189	N	18	1579.00	1909.00	531
131038	N	20	2391.00	2807.00	605
131045	N	24	3162.00	3648.00	1099
131083	N	30	6571.00	7949.00	1447
130086	N	36	10192.00	11768.00	2435

### 22½° (1/16) MJ BEND

271925	N	3	\$99.00	\$133.00	30
272526	N	4	155.00	195.00	50
271932	N	6	210.00	270.00	77
276630	N	8	287.00	357.00	110
130345	N	10	435.00	517.00	160
130307	N	12	559.00	659.00	221
130444	N	14	953.00	1127.00	300
130406	N	16	1220.00	1420.00	391
130475	N	18	1635.00	1965.00	527
131052	N	20	2433.00	2849.00	611
131069	N	24	3428.00	3914.00	986
244158	N	30	6799.00	8177.00	1898
130109	N	36	10596.00	12172.00	2372

### 11¼° (1/32) MJ BEND

274438	N	3	\$100.00	\$134.00	30
272540	N	4	158.00	198.00	50
119876	N	6	210.00	270.00	75
119890	N	8	287.00	357.00	104
274650	N	10	435.00	517.00	160
274476	N	12	570.00	670.00	221
274490	N	14	953.00	1127.00	305
119951	N	16	1220.00	1420.00	391
274667	N	18	1635.00	1965.00	525
274674	N	20	2451.00	2867.00	605
274681	N	24	3428.00	3914.00	996
274698	N	30	6799.00	8177.00	1410
276500	N	36	10596.00	12172.00	2397

### 90° (1/4) MJxPE BEND

274636	N	3	\$126.00	\$143.00	36
274612	N	4	195.00	215.00	53
274506	N	6	283.00	313.00	80
274520	N	8	414.00	449.00	119
274537	N	10	663.00	704.00	181
274568	N	12	872.00	922.00	252
276531	N	16	2574.00	2674.00	470
274704	N	18	3014.00	3179.00	600
274711	N	20	4451.00	4659.00	775
274728	N	24	6329.00	6572.00	1301
275220	N	30	10332.00	11021.00	1920
276517	N	36	15161.00	15949.00	2310

### 45° (1/8) MJxPE BEND

274629	N	4	\$179.00	\$199.00	45
274513	N	6	246.00	276.00	70
274582	N	8	364.00	399.00	111
274544	N	10	542.00	583.00	167
274575	N	12	726.00	776.00	218
274599	N	16	2086.00	2186.00	360
276548	N	18	2235.00	2400.00	455
276555	N	20	3629.00	3837.00	664
274735	N	24	4146.00	4389.00	825
275237	N	30	8201.00	8890.00	1510
276524	N	36	12553.00	13341.00	1930

### 22½° (1/16) MJxPE BEND

274643	N	6	\$246.00	\$276.00	70
274469	N	8	364.00	399.00	109
274605	N	10	546.00	587.00	163
274551	N	12	738.00	788.00	224
274483	N	16	2087.00	2187.00	360
274742	N	18	2285.00	2450.00	455
276562	N	20	2889.00	3097.00	575
275091	N	24	4221.00	4464.00	840
276654	N	30	8336.00	9025.00	1540
284086	N	36	12900.00	13688.00	1970

### 11¼° (1/32) MJxPE BEND

276661	N	24	\$4246.00	\$4489.00	972
284093	N	30	8336.00	9025.00	1305
284109	N	36	12900.00	13688.00	2185

### 90° (1/4) MJxFE BEND

284031	N	4	\$251.00	\$271.00	51
284147	N	6	373.00	403.00	75
284161	N	8	529.00	564.00	118
284185	N	10	793.00	834.00	168
284215	N	12	1041.00	1091.00	288
284116	N	16	1870.00	1970.00	465
276722	N	18	2320.00	2485.00	577
276739	N	24	6130.00	6338.00	1150

# FULL BODY EPOXY COATED

## Tyler/Union Ductile Iron C110 Epoxy Coated Fittings

**LP-5041**

UPC 670610	Ship Code	Size	List Price	Weight	UPC 670610	Ship Code	Size	List Price	Weight		
<b>45° (1/8) MJxFE BEND</b>					<b>MJ TEE (Con't)</b>						
283942	N	4	\$251.00	\$271.00	48	288015	N	16	\$2668.00	\$2968.00	780
284154	N	6	334.00	364.00	69	297321	N	18x6	2259.00	2619.00	710
284239	N	8	477.00	512.00	107	297338	N	18x8	2314.00	2679.00	674
284260	N	10	692.00	733.00	168	296867	N	18x12	2415.00	2795.00	749
284178	N	12	1060.00	1110.00	215	298007	N	18	3200.00	3695.00	945
284246	N	16	2109.00	2209.00	360	297048	N	20x6	2673.00	3119.00	830
276746	N	18	2260.00	2425.00	430	297055	N	20x8	2859.00	3310.00	845
281344	N	20	2728.00	2936.00	543	297062	N	20x12	2959.00	3425.00	875
281351	N	24	4018.00	4261.00	873	300205	N	20x16	3700.00	4216.00	1095
<b>22½° (1/16) MJxFE BEND</b>											
283959	N	6	\$347.00	\$377.00	71	297079	N	20	4003.00	4627.00	1285
284284	N	8	493.00	528.00	107	297093	N	24x6	4252.00	4768.00	1233
284307	N	10	692.00	733.00	155	297147	N	24x8	4321.00	4842.00	1234
284277	N	12	1060.00	1110.00	215	297291	N	24x12	4426.00	4962.00	1256
284123	N	16	2109.00	2209.00	315	287827	N	24x14	4548.00	5121.00	1220
284130	N	18	2260.00	2425.00	422	301202	N	24x16	4651.00	5237.00	1245
281399	N	24	4018.00	4261.00	810	301219	N	24x18	6079.00	6730.00	1660
<b>11¼° (1/32) MJxFE BEND</b>											
283966	N	6	\$302.00	\$332.00	71	302506	N	24x20	6313.00	7007.00	1720
284291	N	8	429.00	464.00	105	316596	N	24	6697.00	7426.00	1947
284321	N	12	923.00	973.00	215	331063	N	30x6	8432.00	9840.00	2050
284253	N	16	2109.00	2209.00	360	331100	N	30x8	7591.00	9004.00	2060
281405	N	18	2260.00	2425.00	405	350088	N	30x10	7655.00	9074.00	2075
282075	N	24	4018.00	4261.00	810	077633	N	30x12	8835.00	10263.00	2090
<b>MJ TEE</b>											
284079	N	2	\$208.00	\$247.00	22	080992	N	30x16	9003.00	10481.00	2145
284048	N	3x2	242.00	289.00	45	271741	N	30x18	7940.00	9483.00	2170
284055	N	3	180.00	231.00	58	287322	N	30x20	8074.00	9660.00	2205
276593	N	4x2	246.00	299.00	57	338871	N	30x24	12078.00	13699.00	2880
283973	N	4x3	225.00	282.00	77	406921	N	30	12920.00	14987.00	2388
284062	N	4	253.00	313.00	78	350095	N	36x6	15634.00	17240.00	3684
284314	N	4x4x6	399.00	469.00	115	371069	N	36x8	11115.00	12726.00	2816
286127	N	6x2	327.00	400.00	78	376248	N	36x10	11177.00	12794.00	2535
286509	N	6x3	307.00	384.00	110	376255	N	36x12	12829.00	14455.00	2550
286103	N	6x4	324.00	404.00	115	376262	N	36x14	11305.00	12968.00	2570
286134	N	6	339.00	429.00	119	338918	N	36x16	12966.00	14642.00	2585
286141	N	6x6x8	588.00	683.00	185	338963	N	36x18	11397.00	13138.00	2610
286516	N	8x3	427.00	514.00	155	340409	N	36x20	13147.00	14931.00	2635
286558	N	8x4	436.00	526.00	165	345459	N	36x24	13430.00	15249.00	2792
286158	N	8x4	436.00	526.00	165	345497	N	36x30	15689.00	17954.00	3545
287254	N	8x6	463.00	563.00	175	345503	N	36	18877.00	21241.00	3982
286493	N	8	484.00	589.00	185	<b>MJxPExMJ TEE</b>					
286837	N	10x6	679.00	791.00	258	331148	N	4	\$389.00	\$429.00	75
286844	N	10x8	700.00	817.00	260	331162	N	6	499.00	559.00	120
286943	N	10	833.00	956.00	310	333210	N	8x6	707.00	772.00	170
287247	N	12x4	832.00	952.00	318	333227	N	8	736.00	806.00	180
119913	N	12x6	837.00	967.00	325	052524	N	10	1118.00	1200.00	250
287520	N	12x8	877.00	1012.00	335	347644	N	12x4	1420.00	1490.00	315
287681	N	12x10	1041.00	1182.00	392	347705	N	12x6	1466.00	1546.00	325
287810	N	12	1059.00	1209.00	410	347651	N	12x8	1534.00	1619.00	340
329343	N	16x4	2203.00	2423.00	600	350040	N	12x10	1760.00	1851.00	390
119982	N	16x6	1946.00	2176.00	656	347668	N	12	1850.00	1950.00	410
297307	N	16x8	1972.00	2207.00	625						
331056	N	16x10	2075.00	2316.00	645						
288008	N	16x12	2127.00	2377.00	715						

# FULL BODY EPOXY COATED

## LP-5041

## Tyler/Union Ductile Iron C110 Epoxy Coated Fittings

UPC 670610	Ship Code	Size	List Price	Weight	UPC 670610	Ship Code	Size	List Price	Weight
---------------	--------------	------	---------------	--------	---------------	--------------	------	---------------	--------

### MJxFE TEE

406938	N	4x2	\$360.00	\$400.00	49
406945	N	4	308.00	348.00	76
406952	N	6x4	379.00	439.00	109
347613	N	6	447.00	507.00	115
350071	N	8x4	620.00	690.00	150
347620	N	8x6	570.00	640.00	160
347637	N	8	737.00	807.00	194
347675	N	10x4	952.00	1034.00	229
350057	N	10x6	813.00	895.00	264
347682	N	10x8	867.00	949.00	245
347699	N	12x4	1398.00	1498.00	323
335634	N	12x6	1001.00	1101.00	315
406914	N	12x8	1277.00	1377.00	372
350064	N	12	1971.00	2071.00	405
079842	N	16x4	2995.00	3195.00	620
073208	N	16x6	3152.00	3352.00	605
080268	N	16x8	3196.00	3396.00	615
083931	N	16x12	3387.00	3587.00	651
294610	N	16	3801.00	4001.00	730
076940	N	18x6	3340.00	3670.00	707
076988	N	18x8	3392.00	3722.00	675
080343	N	18x12	3259.00	3589.00	705
077541	N	18	5287.00	5617.00	915
079620	N	20x8	3860.00	4276.00	835
079705	N	20	6730.00	7146.00	1165
079729	N	24x6	6364.00	6850.00	1125
080404	N	24x8	6285.00	6771.00	1242
365518	N	24x12	5526.00	6012.00	1165
079989	N	24	8482.00	8968.00	1795
080442	N	30	19386.00	20764.00	3080
073222	N	36x6	21264.00	22840.00	2430
073642	N	36x12	23273.00	24849.00	2550
073666	N	36x16	25250.00	26826.00	2450
074083	N	36x24	28582.00	30158.00	2660

### MJxSWIVEL TEE\*\* (with Swivel Gland)

136255	N	6	\$542.00	\$602.00	145
136347	N	8x6	570.00	640.00	195
136354	N	8	648.00	718.00	210
136361	N	10x6	932.00	1014.00	267
136378	N	12x6	972.00	1072.00	346
136316	N	16x6	1752.00	1952.00	643
136323	N	16x8	2368.00	2568.00	649
136330	N	30x6	9903.00	11281.00	2070

### SWIVELxSWIVEL HYDRANT ELL\*\*

#### (With Two Swivel Glands)

136590	N	6	N/A	\$401.00	106
244288	N	8	N/A	629.00	156

### SWIVELxSOLID HYDRANT ADAPTER\*\*

#### (With Swivel Gland)

136415	N	4x13	\$267.00	N/A	47
243700	N	6x12	315.00	N/A	84
243731	N	6x18	391.00	N/A	91
244424	N	6x24	453.00	N/A	105
244448	N	6x36	580.00	N/A	142
244462	N	8x13	459.00	N/A	126
244486	N	12x13	700.00	N/A	173

### MJ CROSS

075400	N	6	\$561.00	\$681.00	160
075486	N	8x4	647.00	757.00	185
120018	N	8x6	743.00	873.00	205
120025	N	8	895.00	1035.00	255
075585	N	10x6	997.00	1139.00	285
074106	N	10x8	1085.00	1237.00	316
075721	N	10	1330.00	1494.00	380
076827	N	12x6	1261.00	1421.00	361
076841	N	12x8	1348.00	1518.00	371
076865	N	12	1733.00	1933.00	486
365525	N	14x8	1954.00	2198.00	550
365532	N	14	2632.00	2980.00	779
072560	N	16x6	2196.00	2456.00	650
072584	N	16x8	2554.00	2824.00	675
080008	N	16	3023.00	3423.00	895
284338	N	18x8	2466.00	2866.00	775
080022	N	18x10	2650.00	3062.00	760
080183	N	18x12	2833.00	3263.00	860
080206	N	18	3824.00	4484.00	1130
119968	N	20x8	3013.00	3499.00	951
080428	N	20x12	3246.00	3762.00	977
080220	N	20x16	4217.00	4833.00	1245
119975	N	20	4789.00	5621.00	1448
080329	N	24x8	4488.00	5044.00	1200
080367	N	24x12	4729.00	5315.00	1326
084051	N	24x16	5162.00	5848.00	1375
291831	N	24x20	7241.00	8143.00	1965
292043	N	24	8008.00	8980.00	2155
337799	N	30x6	10533.00	11971.00	2085
339571	N	30x12	10640.00	12118.00	2165
339588	N	30x24	15380.00	17244.00	3180
339595	N	30	17372.00	20128.00	3640
339601	N	36	29053.00	32205.00	4370

### MJxFE CROSS

337805	N	6	\$747.00	\$807.00	141
338000	N	8x6	1048.00	1118.00	182
338017	N	8	1055.00	1125.00	245
338024	N	10	1668.00	1750.00	360
338222	N	12x6	1658.00	1758.00	367
338239	N	12x8	1761.00	1861.00	373
338246	N	12	2216.00	2316.00	476
339649	N	16x8	3105.00	3305.00	655
292050	N	16	3982.00	4182.00	875

# FULL BODY EPOXY COATED

## Tyler/Union Ductile Iron C110 Epoxy Coated Fittings

**LP-5041**

UPC 670610	Ship Code	Size	List Price	Weight	UPC 670610	Ship Code	Size	List Price	Weight
---------------	--------------	------	---------------	--------	---------------	--------------	------	---------------	--------

### MJ WYE (Not included in AWWA Standard C110)

339663	N	3	\$435.00	\$486.00	60
346012	N	4	423.00	483.00	90
339946	N	6x4	550.00	630.00	130
346098	N	6	613.00	703.00	145
340461	N	8x4	803.00	893.00	190
345138	N	8x6	867.00	967.00	205
345435	N	8	971.00	1076.00	230
345657	N	10x6	1416.00	1528.00	330
345800	N	10x8	1309.00	1426.00	310
345824	N	10	1838.00	1961.00	435
345831	N	12x8	2134.00	2269.00	505
345848	N	12	2072.00	2222.00	490
345909	N	14x6	3641.00	3845.00	626
345923	N	16	6274.00	6574.00	1079
080381	N	18x8	4343.00	4708.00	1073
292920	N	18x10	4505.00	4876.00	975
292951	N	18x12	4991.00	5371.00	1015
337461	N	18x16	5246.00	5676.00	1135
081548	N	18	5547.00	6042.00	1200
337478	N	20x10	5639.00	6096.00	1220
337485	N	20x12	5823.00	5577.00	1260
337782	N	20x16	6554.00	7070.00	1375
058069	N	20	8034.00	8658.00	1525
069300*	N	24	10030.00	10759.00	2372
244745	N	30	25911.00	27978.00	3670

### MJ OFFSET

056188	N	4x12	\$445.00	\$485.00	85
056201	N	4x18	542.00	582.00	105
056225	N	4x24	700.00	740.00	126
056249	N	6x6	548.00	608.00	114
348962	N	6x12	616.00	676.00	135
056263	N	6x18	716.00	776.00	165
060161	N	6x24	859.00	919.00	165
056287	N	8x6	767.00	837.00	160
044956	N	8x12	948.00	1018.00	200
066224	N	8x18	1043.00	1113.00	245
066248	N	8x24	1299.00	1369.00	280
060987	N	10x12	1314.00	1396.00	280
066347	N	10x18	1571.00	1653.00	340
066286	N	10x24	1864.00	1946.00	420
061007	N	12x12	1774.00	1874.00	420
061021	N	12x18	2151.00	2251.00	520
061045	N	12x24	2678.00	2778.00	640
058229	N	16x12	3982.00	4182.00	690
058625	N	16x18	4708.00	4908.00	850
067702	N	20x12	4705.00	5121.00	1025
067818	N	20x18	5841.00	6257.00	1275

### MJxPE OFFSET

407942	N	4x6	\$529.00	\$549.00	70
407904	N	4x12	541.00	561.00	80
407911	N	4x24	851.00	871.00	115
407928	N	6x6	666.00	696.00	105
044970	N	6x12	616.00	646.00	130
407935	N	6x18	716.00	746.00	160
061182	N	6x24	859.00	889.00	160
407959	N	8x6	932.00	967.00	155
056164	N	8x12	1151.00	1186.00	195
061281	N	8x18	1268.00	1303.00	240
066323	N	8x24	1578.00	1613.00	275
066408	N	10x12	1598.00	1639.00	280
067689	N	10x18	1911.00	1952.00	340
061304	N	12x12	2155.00	2205.00	420
061328	N	12x18	2617.00	2667.00	520
061601	N	12x24	3259.00	3309.00	630
060147	N	16x18	4708.00	4808.00	830

### SOLID SLEEVE STANDARD SHORT

068747	N	2	\$107.00	\$133.00	13
069249	N	4	130.00	170.00	35
071778	N	6	179.00	239.00	47
334842	N	8	255.00	325.00	65
334859	N	10	324.00	406.00	85
334866	N	12	436.00	536.00	120
334873	N	16	828.00	1028.00	206
069317	N	18	1207.00	1537.00	246
337218	N	20	1359.00	1775.00	369
346272	N	24	2034.00	2520.00	360
346289	N	30	3141.00	4519.00	745
346371	N	36	4442.00	6018.00	1047

### SOLID SLEEVE STANDARD LONG

346401	N	2	\$123.00	\$149.00	18
288565	N	3	143.00	177.00	36
288572	N	4	150.00	190.00	47
119883	N	6	220.00	280.00	65
119944	N	8	300.00	370.00	90
334880	N	10	335.00	417.00	126
119920	N	12	502.00	602.00	145
120179	N	16	1046.00	1246.00	283
071013	N	18	1512.00	1842.00	362
071310	N	20	1686.00	2102.00	330
071532	N	24	2188.00	2674.00	540
346388	N	30	4888.00	6266.00	1085
346395	N	36	6954.00	8530.00	1502

### SOLID SLEEVE DUAL PURPOSE SHORT

289173	N	4	\$188.00	\$219.00	33
289586	N	6	223.00	261.00	46
334897	N	8	305.00	357.00	65

# FULL BODY EPOXY COATED

## LP-5041

## Tyler/Union Ductile Iron C110 Epoxy Coated Fittings

UPC 670610	Ship Code	Size	List Price	Weight	UPC 670610	Ship Code	Size	List Price	Weight
---------------	--------------	------	---------------	--------	---------------	--------------	------	---------------	--------

### SOLID SLEEVE DUAL PURPOSE LONG

399599	N	4	\$218.00	\$249.00	44
399605	N	6	285.00	323.00	63
052531	N	8	370.00	422.00	88
052548	N	10	497.00	566.00	111
402343	N	*12	N/A	812.00	221
402435	N	*16	N/A	1903.00	385

\*With Dual Purpose Accessories - Assembled

### \*MJxPE DUAL-PURPOSE CUTTING-IN SLEEVE W/CUP POINT SET SCREWS

244684	N	4	N/A	\$455.00	72
244608	N	6	N/A	545.00	94
244622	N	8	N/A	716.00	122
244646	N	10	N/A	913.00	175
244660	N	12	N/A	1213.00	235

\*With Dual Purpose Accessories - Assembled

### \*MJxPE DUAL-PURPOSE CUTTING-IN SLEEVE

402350	N	4	N/A	\$386.00	72
402381	N	6	N/A	472.00	94
402398	N	8	N/A	639.00	122
402411	N	10	N/A	841.00	175
402428	N	12	N/A	1138.00	235

\*With Dual Purpose Accessories - Assembled

### MJ REDUCER

276609	N	3x2	\$135.00	\$165.00	25
276616	N	4x2	117.00	150.00	30
291602	N	4x3	130.00	167.00	57
331049	N	6x2	179.00	222.00	45
333234	N	6x3	160.00	207.00	55
334835	N	6x4	180.00	230.00	60
334903	N	8x3	249.00	301.00	75
334910	N	8x4	234.00	289.00	84
335337	N	8x6	263.00	328.00	95
335764	N	10x6	322.00	393.00	115
336709	N	10x8	382.00	458.00	142
336990	N	12x4	379.00	449.00	139
336716	N	12x6	424.00	504.00	148
119937	N	12x8	452.00	537.00	173
336846	N	12x10	533.00	624.00	194
337096	N	16x6	804.00	934.00	250
346418	N	16x8	870.00	1005.00	288
346425	N	16x10	963.00	1104.00	300
346432	N	16x12	1046.00	1196.00	330
346777	N	16x14	1190.00	1377.00	370
058106	N	18x8	1283.00	1483.00	320
059363	N	18x10	1415.00	1621.00	388
060765	N	18x12	1453.00	1668.00	380
060802	N	18x14	1518.00	1770.00	450
060826	N	18x16	1574.00	1839.00	476
062066	N	20x10	1603.00	1852.00	410
335597	N	20x12	1653.00	1911.00	515

### MJ REDUCER (Con't)

335979	N	20x16	\$1909.00	\$2217.00	578
062165	N	20x18	2146.00	2519.00	575
060048	N	24x12	2301.00	2594.00	610
060727	N	24x16	2640.00	2983.00	705
071853	N	24x18	2821.00	3229.00	789
290186	N	24x20	3036.00	3487.00	815
346579	N	30x16	4045.00	4834.00	1150
336020	N	30x18	4215.00	5069.00	1160
346487	N	30x20	4492.00	5389.00	1225
346524	N	30x24	5032.00	5964.00	1360
346531	N	36x20	7804.00	8800.00	1495
346555	N	36x24	8098.00	9129.00	1580
346920	N	36x30	9285.00	10762.00	1919

### PEXPE REDUCER

347040	N	4x3	\$123.00	N/A	34
347118	N	6x4	195.00	N/A	57
346784	N	8x6	302.00	N/A	96
347026	N	10x8	448.00	N/A	135
347019	N	12x8	588.00	N/A	168
347033	N	12x10	716.00	N/A	185
336013	N	30x16	5707.00	N/A	1015
337256	N	30x18	5911.00	N/A	1025
335993	N	30x20	6291.00	N/A	1090
336181	N	30x24	7010.00	N/A	1215
336068	N	36x24	10614.00	N/A	1389
336136	N	36x30	12111.00	N/A	1585

### SMALL END BELL (SEB) REDUCER

347972	N	3x2	\$124.00	\$137.00	24
348030	N	4x2	133.00	146.00	30
348177	N	4x3	143.00	160.00	38
350668	N	6x2	179.00	192.00	43
347057	N	6x3	185.00	202.00	50
055761	N	6x4	204.00	224.00	60
131410	N	8x3	237.00	254.00	70
131434	N	8x4	268.00	288.00	82
119906	N	8x6	297.00	327.00	90
131458	N	10x6	335.00	365.00	116
131472	N	10x8	373.00	408.00	135
131632	N	12x4	378.00	398.00	131
131496	N	12x6	436.00	466.00	150
132172	N	12x8	465.00	500.00	168
131519	N	12x10	550.00	591.00	190
132158	N	16x8	921.00	956.00	248
131656	N	16x12	1285.00	1335.00	304
131694	N	18x12	1427.00	1477.00	355
119999	N	20x12	1985.00	2035.00	420
120001	N	20x16	2287.00	2387.00	525
131717	N	24x12	2641.00	2691.00	570
131731	N	24x16	2673.00	2773.00	665
131755	N	24x18	3191.00	3356.00	720
131779	N	24x20	3485.00	3693.00	775
131977	N	30x16	5161.00	5261.00	1040
131830	N	30x18	4709.00	4874.00	1050
131991	N	30x20	5745.00	5953.00	1120
132011	N	30x24	6453.00	6696.00	1255
132035	N	36x30	11733.00	12422.00	1721

# FULL BODY EPOXY COATED

## Tyler/Union Ductile Iron C110 Epoxy Coated Fittings

**LP-5041**

UPC 670610	Ship Code	Size	List Price	Weight	UPC 670610	Ship Code	Size	List Price	Weight		
<b>MJxFIPT ECCENTRIC REDUCER</b>					<b>PLUG SOLID</b>						
132059	N	6x2	\$468.00	\$498.00	51	133216	N	2	\$41.00	N/A	5
132073	N	8x2	710.00	745.00	71	133018	N	3	41.00	N/A	9
<b>LARGE END BELL (LEB) REDUCER</b>											
131854	N	3x2	\$132.00	\$149.00	20	133032	N	4	54.00	N/A	13
131939	N	4x2	179.00	199.00	31	133230	N	6	75.00	N/A	15
131878	N	4x3	160.00	180.00	37	133254	N	8	125.00	N/A	45
131953	N	6x2	187.00	217.00	47	133056	N	10	167.00	N/A	66
131892	N	6x3	203.00	233.00	55	133070	N	12	222.00	N/A	93
131915	N	6x4	204.00	234.00	60	133391	N	14	437.00	N/A	120
132196	N	8x3	266.00	301.00	70	133414	N	16	552.00	N/A	147
132219	N	8x4	307.00	342.00	84	133476	N	18	733.00	N/A	192
131670	N	8x6	308.00	343.00	93	133438	N	20	817.00	N/A	215
131533	N	10x6	417.00	458.00	117	133452	N	24	1396.00	N/A	338
131557	N	10x8	472.00	513.00	130	133919	N	30	2516.00	N/A	660
131571	N	12x6	517.00	567.00	145	134015	N	36	4125.00	N/A	838
131595	N	12x8	460.00	510.00	165	<b>PLUG TAPPED (2-inch IPT Only)</b>					
131618	N	12x10	658.00	708.00	178	<b>SEE NOTE</b>					
132233	N	16x12	1516.00	1616.00	325	133834	N	2	\$67.00	N/A	5
131793	N	20x16	2833.00	3041.00	510	133858	N	3	70.00	N/A	9
131816	N	24x16	4065.00	4308.00	753	133872	N	4	78.00	N/A	13
133094	N	24x20	3945.00	4188.00	785	133933	N	6	101.00	N/A	15
133278	N	30x24	7171.00	7860.00	1320	133957	N	8	150.00	N/A	45
133292	N	36x20	10438.00	11226.00	1466	133971	N	10	193.00	N/A	65
133315	N	36x24	11349.00	12137.00	1535	133995	N	12	249.00	N/A	85
<b>MJxFE REDUCER</b>											
132912	N	4x3	\$211.00	\$231.00	35	134039	N	14	561.00	N/A	120
132936	N	6x3	243.00	273.00	50	134053	N	16	676.00	N/A	147
132950	N	6x4	263.00	293.00	62	134077	N	18	857.00	N/A	192
132257	N	8x4	346.00	381.00	75	133551	N	20	1148.00	N/A	215
132295	N	8x6	389.00	424.00	82	134091	N	24	1667.00	N/A	338
132332	N	10x6	500.00	541.00	100	134114	N	30	2787.00	N/A	660
132516	N	10x8	504.00	545.00	130	134138	N	36	4482.00	N/A	838
132530	N	12x6	615.00	665.00	130	<b>TYTON PLUGS / SOLID</b>					
132554	N	12x8	705.00	755.00	190	<b>(with set screws)</b>					
132578	N	12x10	811.00	861.00	185	134237	N	4	\$92.00	N/A	18
132653	N	14x6	950.00	1037.00	195	134251	S	6	148.00	N/A	25
133377	N	14x8	1029.00	1116.00	240	134275	S	8	232.00	N/A	46
133339	N	14x12	1238.00	1325.00	240	134312	N	10	324.00	N/A	70
132677	N	16x12	1491.00	1591.00	380	134152	S	12	438.00	N/A	95
133117	N	18x8	1508.00	1673.00	300	<b>TYTON PLUGS / TAPPED (2-inch IPT)</b>					
133131	N	18x12	1809.00	1974.00	405	<b>with set screws      SEE NOTE</b>					
133155	N	18x16	2235.00	2400.00	445	134176	N	4	\$136.00	N/A	18
133179	N	20x16	2764.00	2972.00	510	134336	S	6	191.00	N/A	25
133193	N	24x12	2839.00	3082.00	455	134350	S	8	282.00	N/A	46
<b>FExMJ REDUCER</b>											
132998	N	4x3	\$236.00	\$253.00	34	134190	N	10	374.00	N/A	70
132974	N	6x4	307.00	327.00	53	134213	S	12	518.00	N/A	95
132271	N	8x4	410.00	430.00	73	<b>NOTE - For Tapped Tees, Plugs and Caps Only:</b> We stock 2" IPT Taps only. For all tap sizes other than 2" IPT up to a 4" maximum a \$75.00 NET CHARGE will be added to the corresponding 2" tapped fitting cost. Special tapped fittings are non-cancellable and non-returnable. Contact CSR for details					
132318	N	8x6	439.00	469.00	84						
132875	N	10x6	489.00	519.00	118						
132592	N	10x8	621.00	656.00	130						
132899	N	12x6	710.00	740.00	145						
132615	N	12x8	767.00	802.00	170						
132639	N	12x10	1079.00	1120.00	188						
132851	N	16x12	1667.00	1717.00	305						

# FULL BODY EPOXY COATED

## LP-5041

## Tyler/Union Ductile Iron C110 Epoxy Coated Fittings

UPC 670610	Ship Code	Size	List Price	Weight	UPC 670610	Ship Code	Size	List Price	Weight
---------------	--------------	------	---------------	--------	---------------	--------------	------	---------------	--------

### PUSH-IN PLUGS / SOLID

133537	N	14	\$300.00	N/A	110
085669	S	16	427.00	N/A	145
133575	N	18	723.00	N/A	180
133490	N	20	885.00	N/A	220
133513	S	24	1267.00	N/A	315

### PUSH-IN PLUGS / TAPPED (2-inch IPT) SEE NOTE

133599	N	14	\$334.00	N/A	101
133650	S	16	459.00	N/A	137
133612	N	18	847.00	N/A	177
133810	N	20	1008.00	N/A	220
133636	N	24	1390.00	N/A	315

### CAP SOLID

276623	S	2	\$42.00	\$55.00	6
134374	S	3	40.00	57.00	12
133896	S	4	66.00	86.00	20
135531	S	6	87.00	117.00	34
135555	S	8	112.00	147.00	46
136071	S	10	157.00	198.00	58
136095	S	12	193.00	243.00	86
135630	S	16	575.00	675.00	178
135715	S	18	824.00	989.00	215
135739	S	20	1020.00	1228.00	250
135654	S	24	1670.00	1913.00	370
135975	S	30	2795.00	3484.00	680
135678	S	36	4514.00	5302.00	850

### CAP TAPPED (2-inch IPT) SEE NOTE

135579	S	3	\$71.00	\$88.00	10
136118	S	4	91.00	111.00	20
136101	S	6	111.00	141.00	30
135593	S	8	136.00	171.00	48
136125	N	10	182.00	223.00	58
136132	S	12	218.00	268.00	86
135753	N	16	614.00	714.00	178
135777	N	18	948.00	1113.00	215
135791	N	20	1143.00	1351.00	250
135814	N	24	1793.00	2036.00	370
136057	N	30	2877.00	3566.00	680
135692	N	36	4680.00	5468.00	850

### MJ TEE TAPT (2-inch IPT) SEE NOTE

136149	N	3	\$157.00	\$191.00	35
136163	S	4	180.00	220.00	45
136170	S	6	229.00	289.00	70
135838	S	8	287.00	357.00	95
135852	N	10	399.00	481.00	130
135876	N	12	477.00	577.00	180

### MJxFE ADAPTER 8" Laying Length

136156	N	3	\$211.00	\$228.00	30
136187	N	4	158.00	178.00	42
136194	N	6	228.00	258.00	62
135616	N	8	308.00	343.00	88
135890	N	10	397.00	438.00	120
135913	N	12	474.00	524.00	150
135937	N	16	1241.00	1341.00	260
135999	N	18	1618.00	1783.00	305
136019	N	20	1687.00	1895.00	382
136033	N	24	2616.00	2859.00	495

### MJxFE ADAPTER 10" Laying Length

102694	N	30	\$7098.00	\$7787.00	760
102809	N	36	7327.00	8115.00	1070

### MJ CUTTING-IN SLEEVE GLAND ONLY\*\*

401575	N	4	\$22.00	N/A	10
401582	N	6	25.00	N/A	13
401599	N	8	38.00	N/A	19
402251	N	10	50.00	N/A	25
402268	N	12	60.00	N/A	30

### MJ CUTTING-IN SLEEVE GLAND ONLY\*\* WITH CUP POINT SET SCREWS

136200	N	4	\$60.00	N/A	10
136217	N	6	63.00	N/A	13
136224	N	8	75.00	N/A	20
136231	N	10	88.00	N/A	25
136248	N	12	97.00	N/A	30

\*\*Not included in AWWA C110

**NOTE - For Tapped Tees, Plugs and Caps Only:** We stock 2" IPT Taps only. For all tap sizes other than 2" IPT up to a 4" maximum a \$75.00 **NET CHARGE** will be added to the corresponding 2" tapped fitting cost. Special tapped fittings are non-cancellable and non-returnable. Contact CSR for details

# COMPACT PUSH-ON EPOXY COATED

## Tyler/Union C153 Union-Tite DI Epoxy Coated Fittings

LP-5041

UPC 670610	Ship Code	Size	List Price	Weight	UPC 670610	Ship Code	Size	List Price	Weight
<b>UT 90° (1/4) BENDS</b>					<b>UT x FLG 45° (1/8) BENDS</b>				
402534	S	4	\$88.00	24	402664	N	4	\$132.00	21
030935	S	6	127.00	52	402671	N	6	154.00	42
030959	S	8	212.00	89	402688	N	8	215.00	60
402541	S	10	337.00	121	402695	N	10	336.00	93
031079	S	12	397.00	151	402701	N	12	429.00	122
403708	S	14	912.00	254	404071	N	14	799.00	162
403715	S	16	1089.00	328	404088	N	16	973.00	275
403722	S	18	1938.00	482	<b>UT x FLG 22½° (1/16) BENDS</b>				
404019	N	20	2333.00	340	402718	N	4	\$132.00	25
404026	N	24	3905.00	674	402725	N	6	154.00	44
<b>UT 45° (1/8) BENDS</b>					402732	N	8	215.00	64
402558	S	4	\$76.00	25	402749	N	10	336.00	90
031093	S	6	113.00	44	402756	N	12	429.00	112
398790	S	8	173.00	66	404095	N	14	799.00	174
402565	S	10	239.00	101	404101	N	16	973.00	228
031130	S	12	317.00	131	<b>UT x FLG 11¼° (1/32) BENDS</b>				
403739	S	14	722.00	143	403432	N	4	\$132.00	24
403746	S	16	876.00	225	402763	N	6	154.00	30
403753	S	18	1539.00	209	402770	N	8	215.00	61
403760	S	20	1912.00	397	402787	N	10	336.00	80
403777	S	24	2703.00	492	402794	N	12	429.00	94
<b>UT 22½° (1/16) BENDS</b>					404118	N	14	799.00	170
402572	N	4	\$78.00	18	404125	N	16	973.00	228
031116	N	6	113.00	39	<b>UT x PE 90° (1/4) BENDS</b>				
047087	N	8	175.00	66	403449	N	4	\$132.00	35
402589	N	10	239.00	67	403456	N	6	162.00	70
047094	N	12	317.00	111	<b>UT x PE 45° (1/8) BENDS</b>				
403784	N	14	722.00	162	403463	N	4	\$132.00	21
403791	N	16	876.00	195	403470	N	6	162.00	38
403807	N	18	1451.00	209	403487	N	8	195.00	60
403814	N	20	1912.00	414	<b>UT x PE 22½° (1/16) BENDS</b>				
403821	N	24	2703.00	596	403494	N	6	\$162.00	35
<b>UT 11¼° (1/32) BENDS</b>					403500	N	8	195.00	57
402596	N	4	\$82.00	18	<b>UT x PE 11¼° (1/32) BENDS</b>				
047865	N	6	120.00	40	403517	N	6	\$162.00	36
047858	N	8	175.00	64	403524	N	8	195.00	55
402602	N	10	239.00	77	<b>UT x FLG ADAPTERS</b>				
047872	N	12	317.00	94	402800	S	4	\$102.00	28
404033	N	14	722.00	113	402817	S	6	116.00	41
403838	N	16	876.00	172	398806	S	8	170.00	63
403845	N	18	1539.00	209	402824	S	10	250.00	71
404040	N	20	1912.00	265	402831	S	12	333.00	102
<b>UT x FLG 90° (1/4) BENDS</b>					404132	S	14	510.00	113
402619	N	4	\$142.00	31	403852	S	16	654.00	115
402626	N	6	187.00	49	404149	N	20	1705.00	295
402633	N	8	263.00	74					
402640	N	10	487.00	130					
402657	N	12	557.00	158					
404057	N	14	1087.00	175					
404064	N	16	1241.00	233					

# COMPACT PUSH-ON EPOXY COATED

## LP-5041

## Tyler/Union C153 Union-Tite DI Epoxy Coated Fittings

UPC 670610	Ship Code	Size	List Price	Weight	UPC 670610	Ship Code	Size	List Price	Weight
---------------	--------------	------	---------------	--------	---------------	--------------	------	---------------	--------

### UT TEES

402848	N	4	\$122.00	44
402855	N	6x4	168.00	68
031031	S	6	166.00	71
402862	N	8x4	239.00	73
031055	S	8x6	249.00	108
047841	S	8	298.00	116
402879	N	10x4	336.00	102
402886	N	10x6	341.00	113
402893	N	10x8	348.00	145
402909	N	10	408.00	155
402916	N	12x4	404.00	119
031154	S	12x6	418.00	147
050780	S	12x8	442.00	177
402923	N	12x10	529.00	160
050797	S	12	576.00	217
404156	N	14x6	913.00	176
404163	N	14x10	1187.00	195
404170	N	14x12	1257.00	196
403869	N	14	1318.00	209
403876	N	16x6	1232.00	266
403883	N	16x8	1255.00	292
404187	N	16x10	1280.00	232
404194	N	16x12	1292.00	239
404200	N	16x14	1478.00	349
403890	N	16	1490.00	261
404217	N	18x6	2075.00	348
404224	N	18x8	2139.00	325
404231	N	18x10	2268.00	344
404248	N	18x14	2722.00	342
404255	N	18x16	2857.00	362
404262	N	20x6	2388.00	355
404279	N	20x10	2521.00	369
404286	N	20x14	2891.00	484
404293	N	20x16	3034.00	610
404309	N	20x18	3423.00	539
403906	S	24x6	3424.00	385
404316	N	24x10	3512.00	478
404323	N	24x12	3538.00	663
404330	N	24x14	3727.00	542
404347	N	24x16	3791.00	566
404354	N	24x18	4666.00	593
404361	N	24x20	4726.00	628
404378	N	24	4848.00	884

### UT x FLG TEES

402930	N	4	\$152.00	45
402947	N	6x4	192.00	56
402954	N	6	213.00	71
402961	N	8x4	292.00	89
398813	N	8x6	305.00	101
402978	N	8	346.00	130
402985	N	10x4	392.00	115
402992	N	10x6	393.00	128
403005	N	10x8	427.00	145
403012	N	10	548.00	158
403029	N	12x4	511.00	138

### UT x FLG TEES (Con't)

403036	N	12x6	\$530.00	154
403043	N	12x8	535.00	170
403050	N	12x10	645.00	162
403067	N	12	750.00	183
404385	N	14x6	1051.00	212
404392	N	14x10	1348.00	246
404408	N	14x12	1427.00	296
404415	N	14	1421.00	321
403913	N	16x6	1323.00	160
404422	N	16x8	1354.00	270
404439	N	16x10	1427.00	330
404446	N	16x12	1438.00	321
404453	N	16x14	1852.00	342
404460	N	16	1854.00	355
404477	N	18x6	2143.00	301
404484	N	18x8	2852.00	319
404491	N	18x10	3065.00	337
404507	N	18x14	3545.00	393
404514	N	18x16	3625.00	420
404521	N	20x6	2930.00	341
404538	N	20x10	3214.00	420
404545	N	20x14	3637.00	474
404552	N	20x16	3814.00	498
403920	N	24x6	3491.00	512
404569	N	24x10	4855.00	468
404576	N	24x12	4701.00	503
404583	N	24x14	5054.00	531
404590	S	24x16	5412.00	555

### UT x SWIVEL TEES

403074	N	6	\$247.00	65
403081	N	8x6	325.00	100
403531	N	8	347.00	110
403548	N	10x6	447.00	130
403555	S	10x8	492.00	156
403098	S	12x6	493.00	162
403562	N	12x8	537.00	158
404606	N	14x6	1017.00	202
403937	N	16x6	1297.00	229
404613	S	16x8	1413.00	292
404620	N	18x6	2425.00	348
404637	N	18x8	2692.00	324
404644	S	20x6	2586.00	400
404651	N	24x6	3827.00	525

# COMPACT PUSH-ON EPOXY COATED

## Tyler/Union C153 Union-Tite DI Epoxy Coated Fittings

LP-5041

UPC 670610	Ship Code	Size	List Price	Weight	UPC 670610	Ship Code	Size	List Price	Weight
---------------	--------------	------	---------------	--------	---------------	--------------	------	---------------	--------

### UT WYES (Not included in AWWA Ntandard C153)

403104	N	8x4	\$607.00	89
403579	N	10x4	766.00	141
403586	N	10x6	777.00	151
403593	N	10x8	812.00	175
403609	N	10	843.00	200
403616	N	12x4	935.00	178
403111	N	12x6	961.00	201
403623	N	12x8	1021.00	224
403630	N	12x10	1205.00	240
403647	N	12	1215.00	289
404668	N	14x6	1798.00	236
404675	N	14x8	1877.00	255
404682	N	14x10	1967.00	325
404699	N	14	2393.00	475
404705	N	16x6	2232.00	281
404712	N	16x8	2355.00	304
404729	N	16x12	2582.00	346
404736	N	16	2959.00	380

### UTxPE TEES

050803	S	6	\$247.00	60
050810	S	8x6	325.00	80
050827	S	12x6	493.00	140
101802*	N	16x6	2568.00	505

\* C110 Full Body

### UT CROSSES

403128	N	6	\$347.00	88
403135	N	8x6	526.00	117
403142	N	8	564.00	156
403654	N	10x4	713.00	116
403159	N	12x8	800.00	240
403661	N	12	1376.00	241
404743	N	14x6	1487.00	189
404750	N	14x8	1575.00	204
404767	N	14x10	1613.00	222
404774	N	14x12	1708.00	239
404781	N	14	1885.00	270
403944	N	16x6	1674.00	234
403951	N	16x8	1757.00	323
403968	N	16x10	1826.00	268
403975	N	16x12	1924.00	274
403982	N	16x14	2201.00	322
403999	N	16	2328.00	317

### UT REDUCERS

403166	N	6x4	\$97.00	32
403173	N	8x4	138.00	46
403180	S	8x6	141.00	49
403678	N	10x4	198.00	47
403197	N	10x6	198.00	47
403230	N	10x8	203.00	53
403210	N	12x4	265.00	80
403227	S	12x6	265.00	58
403234	N	12x8	271.00	74
403241	N	12x10	284.00	82

### UT REDUCERS (Con't)

404798	N	14x6	\$485.00	84
404804	N	14x8	488.00	85
404811	N	14x10	509.00	87
404828	N	14x12	535.00	104
404835	N	16x6	580.00	94
404842	N	16x8	593.00	104
404859	N	16x10	642.00	130
404002	N	16x12	654.00	152
404866	N	16x14	757.00	139
404873	N	18x8	1109.00	142
404880	N	18x10	1218.00	151
404897	N	18x12	1237.00	167
404903	N	18x14	1278.00	217
404910	N	18x16	1360.00	202
404927	N	20x10	1320.00	180
404934	N	20x12	1384.00	205
404941	N	20x14	1568.00	233
404958	N	20x16	1616.00	250
404965	N	20x18	1862.00	248
404972	N	24x12	1777.00	246
404989	N	24x14	1948.00	281
404996	N	24x16	2062.00	380
405009	N	24x18	2155.00	390
405016	N	24x20	2295.00	421

### UT x FLG REDUCERS

403258	N	6x4	\$141.00	32
403265	N	8x4	205.00	46
403272	N	8x6	216.00	47
403685	N	10x4	283.00	55
403289	N	10x6	297.00	59
403296	N	10x8	303.00	61
403692	S	12x4	370.00	78
403302	S	12x6	376.00	73
403319	S	12x8	392.00	74
403326	N	12x10	393.00	95
405023	S	14x6	660.00	121
405030	S	14x8	680.00	128
405047	N	14x10	710.00	127
405054	S	14x12	723.00	144
405061	S	16x6	807.00	133
405078	S	16x8	828.00	141
405085	N	16x10	893.00	158
405092	N	16x12	911.00	172
405108	N	16x14	1052.00	196
405115	N	18x8	1539.00	157
405122	N	18x10	1697.00	175
405139	N	18x12	1726.00	215
405146	N	18x14	1846.00	234
405153	N	18x16	1960.00	246
405160	N	20x10	1902.00	234
405177	N	20x14	2263.00	249
404184	N	20x16	2332.00	272
405191	N	24x12	2563.00	262
405207	N	24x14	2810.00	315
405214	N	24x16	2974.00	328

# COMPACT PUSH-ON EPOXY COATED

**LP-5041**

**Tyler/Union C153 Union-Tite DI Epoxy Coated Fittings**

UPC 670610	Ship Code	Size	List Price	Weight	UPC 670610	Ship Code	Size	List Price	Weight
---------------	--------------	------	---------------	--------	---------------	--------------	------	---------------	--------

**UT SEB REDUCERS**

119753	N	6x4	\$92.00	45
101765	N	8x4	132.00	55
050834	N	8x6	141.00	53
050841	N	12x6	265.00	70
051107	N	12x8	271.00	80

**UT TAPT TEES (2 INCH IPT) SEE NOTE**

403333	N	4	\$116.00	27
403340	N	6	150.00	38
403357	N	8	205.00	59
403364	N	10	263.00	72
403371	N	12	321.00	92

**UT TAPT CROSSES (2 INCH IPT) SEE NOTE**

403388	N	4	\$135.00	27
403395	N	6	170.00	38
403401	N	8	226.00	59
403418	N	10	276.00	72
403425	N	12	340.00	92

**UT PLUGS / SOLID**

051145	N	4	\$32.00	8
051152	N	6	57.00	23
051169	N	8	83.00	32
051176	N	10	112.00	38
051183	N	12	142.00	49

**UT PLUGS / TAPT 2-INCH IPT SEE NOTE**

401629	N	4	\$54.00	8
401636	N	6	76.00	23
401643	N	8	102.00	32
401605	N	10	133.00	38
401612	N	12	165.00	49

**UT CAPS / SOLID**

405221	N	4	\$38.00	15
405238	N	6	54.00	20
405245	N	8	90.00	35
405252	N	10	121.00	50
405269	N	12	145.00	75

**UT CAPS / TAPT 2-INCH IPT SEE NOTE**

405276	N	4	\$61.00	15
405283	N	6	78.00	20
405290	N	8	115.00	35
405306	N	10	148.00	50
405313	N	12	172.00	75

**NOTE - For Tapped Tees, Plugs and Caps Only:** We stock 2" IPT Taps only. For all tap sizes other than 2" IPT up to a 4" maximum a \$75.00 **NET CHARGE** will be added to the corresponding 2" tapped fitting cost. Special tapped fittings are non-cancellable and non-returnable. Contact CSR for details

# FLANGED FULL BODY EPOXY COATED

## Tyler/Union Ductile Iron C110 Flanged Epoxy Coated Fittings

LP-5041

UPC 670610	Ship Code	Size	List Price	Weight	UPC 670610	Ship Code	Size	List Price	Weight
---------------	--------------	------	---------------	--------	---------------	--------------	------	---------------	--------

### 90° (1/4) BEND FLANGED

327356	N	2	\$64.00	14
398943	N	3	65.00	25
398967	N	4	98.00	48
398998	N	6	150.00	74
399001	N	8	236.00	118
119777	N	10	435.00	165
245063	N	12	622.00	235
327363	N	14	1134.00	387
109662	N	16	1529.00	430
085324	N	18	2440.00	527
245971	N	20	3187.00	878
247357	N	24	5024.00	1085
327387	N	30	7591.00	1755

### 90° (1/4) BASE BEND FLANGED

282167	S	3	\$251.00	38
287490	S	4	290.00	50
245087	S	6	403.00	85
245100	S	8	515.00	141
119784	S	10	750.00	203
245186	S	12	1029.00	303
245124	N	14	1437.00	400
327370	S	16	1911.00	505
282105	N	18	2839.00	645
282112	N	20	3532.00	805
282129	N	24	5162.00	1215
282143	N	30	7485.00	1945

### 90° (1/4) REDUCING BEND FLANGED

287506	N	4x3	\$127.00	35
339038	N	6x4	198.00	58
245438	N	8x4	290.00	75
131212	N	8x6	291.00	90
245223	N	10x6	596.00	126
110835	N	10x8	603.00	150
245377	N	12x6	972.00	172
245391	N	12x8	1063.00	191
245414	N	12x10	1079.00	218

### 90° (1/4) REDUCING BASE BEND FLANGED WITH BASE UNDER LARGE END

298229	N	4x3	\$372.00	43
287513	N	6x4	512.00	75
245452	N	8x4	635.00	115
245148	N	8x6	643.00	130
245834	N	10x6	1023.00	175
245919	N	10x8	1029.00	196
245957	N	12x6	1640.00	230
245933	N	12x8	1658.00	255
245773	N	12x10	1675.00	285

### 90° (1/4) REDUCING BASE BEND FLANGED WITH BASE UNDER SMALL END

327349	N	4x3	\$372.00	45
288244	N	6x4	512.00	75
245797	N	8x4	635.00	115
245162	N	8x6	643.00	130
245810	N	10x6	1023.00	170
327394	N	10x8	1029.00	195
332473	N	12x6	1640.00	230
332480	N	12x8	1658.00	255
332497	N	12x10	1675.00	285

### 45° (1/8) BEND FLANGED

348399	N	3	\$75.00	20
348405	N	4	99.00	40
131236	N	6	145.00	55
348276	N	8	214.00	91
348283	N	10	398.00	130
348665	N	12	584.00	195
348566	N	14	1118.00	245
348573	N	16	1534.00	315
332510	N	18	1754.00	422
348313	N	20	2245.00	485
348320	N	24	3305.00	541
348603	N	30	5768.00	1335

### 22½° (1/16) BEND FLANGED

348429	N	3	\$87.00	22
348436	N	4	111.00	40
348443	N	6	155.00	58
348306	N	8	234.00	88
348535	N	10	437.00	130
348290	N	12	660.00	195
348597	N	14	1135.00	250
348504	N	16	1626.00	417
348337	N	18	1792.00	402
348511	N	20	2332.00	505
348344	N	24	3437.00	528
348375	N	30	5835.00	1385

### 11¼° (1/32) BEND FLANGED

348450	N	3	\$87.00	20
348412	S	4	111.00	46
348467	S	6	158.00	55
348542	S	8	249.00	88
348559	S	10	459.00	130
332503	S	12	660.00	195
348580	N	14	1166.00	225
348498	N	16	1585.00	398
348351	N	18	1810.00	385
348528	N	20	2357.00	505
348368	N	24	3511.00	760
348382	N	30	5859.00	1395

S = From Stock to 2 weeks    N = Non-Stock; Check for availability.    All weights exclude accessories.

# FLANGED FULL BODY EPOXY COATED

**LP-5041**

## Tyler/Union Ductile Iron C110 Flanged Epoxy Coated Fittings

UPC 670610	Ship Code	Size	List Price	Weight	UPC 670610	Ship Code	Size	List Price	Weight
<b>90° (1/4) LONG RADIUS BEND FLANGED</b>					<b>WYE FLANGED (Con't)</b> <b>(Not included in AWWA Standard C110)</b>				
348481	N	3	\$121.00	32	349556	N	18	\$4870.00	1035
348474	N	4	150.00	50	349563	N	20x10	4924.00	1095
030843	N	6	215.00	80	349570	N	20x12	5296.00	1130
109679	N	8	377.00	154	349587	N	20x14	5374.00	1170
348672	N	10	600.00	230	349594	N	20x16	5747.00	1220
348696	N	12	948.00	325	349600	N	20	6333.00	1345
348818	N	14	1657.00	450	349617	N	24	11373.00	2020
348825	N	16	2029.00	730					
<b>90° (1/4) LONG RADIUS BASE BEND FLANGED</b>					<b>TEE FLANGED</b>				
349266	N	3	\$199.00	35	349624	N	2	\$122.00	20
349273	N	4	229.00	60	349310	S	3x2*	122.00	34
349280	N	6	361.00	92	349334	S	3	116.00	42
348689	N	8	736.00	200	349341	S	4x3x3*	259.00	53
348894	N	10	996.00	275	349631	S	4x2	172.00	50
348900	N	12	1482.00	409	349648	S	4x3	176.00	54
348832	N	14	2833.00	580	349358	S	4x4x6*	455.00	90
348849	N	16	2861.00	860	398974	S	4	159.00	66
					349655	S	6x4x4*	553.00	85
					349365	S	6x4x6*	596.00	90
					349662	S	6x6x8*	797.00	140
					349679	S	6x2	280.00	85
					109716	S	6x3	246.00	86
					131359	S	6x4	229.00	90
					398950	S	6	225.00	112
					349396	N	8x6x4*	891.00	130
					349372	S	8x6x6*	953.00	148
					349389	S	8x6x8*	1025.00	154
					349402	S	8x8x10*	1259.00	260
					349419	N	8x8x12*	1329.00	310
					349686	S	8x3	562.00	128
					056300	S	8x4	392.00	140
					109723	S	8x6	385.00	147
					399025	S	8	388.00	168
					349426	N	10x6x6*	1057.00	278
					349433	N	10x6x10*	1170.00	308
					349440	N	10x8x6*	1076.00	298
					349457	N	10x8x8*	1160.00	295
					349464	N	10x8x10*	1248.00	303
					349488	S	10x4	643.00	215
					109686	S	10x6	612.00	216
					056324	S	10x8	614.00	233
					085331	S	10	615.00	270
					349471	N	10x10x12*	1826.00	337
					349495	N	12x6x6*	1552.00	346
					349501	N	12x6x8*	1643.00	362
					349518	N	12x8x6*	1643.00	355
					349693	N	12x8x8*	1714.00	375
					350422	N	12x8x12*	1918.00	420
					349938	N	12x10x6*	1782.00	390
					350248	N	12x10x8*	1827.00	400
					350255	N	12x10x10*	1918.00	420
					350439	N	12x10x12*	2010.00	440
					349945	S	12x4	962.00	301
					109693	S	12x6	913.00	295
					131250	S	12x8	916.00	331

# FLANGED FULL BODY EPOXY COATED

## Tyler/Union Ductile Iron C110 Flanged Epoxy Coated Fittings

**LP-5041**

UPC 670610	Ship Code	Size	List Price	Weight	UPC 670610	Ship Code	Size	List Price	Weight
<b>TEE FLANGED (Con't)</b>					<b>CROSS FLANGED</b>				
058007	N	12x10	\$991.00	355	355717	S	3	\$154.00	51
348634	N	12	922.00	385	354994	N	4x3	260.00	76
350354	N	14x4	2258.00	405	355014	S	4	267.00	80
350262	N	14x6	1880.00	530	355038	N	6x3	393.00	95
350361	N	14x8	1890.00	435	355045	S	6x4	395.00	112
350279	N	14x10	1901.00	550	3550514	S	6	392.00	125
348610	N	14x12	1940.00	470	355069	N	8x3	612.00	140
350385	N	14	1833.00	602	355083	S	8x4	608.00	155
350286	N	16x4	2604.00	500	131274	S	8x6	612.00	165
349952	N	16x6	2684.00	540	131298	S	8	612.00	203
350392	N	16x8	2689.00	620	355762	N	10x4	1017.00	220
350408	N	16x10	2691.00	565	119791	S	10x6	1026.00	242
350293	N	16x12	2695.00	634	131311	S	10x8	1018.00	265
350415	N	16x14	2699.00	610	350521	S	10	1135.00	333
109730	N	16	2605.00	675	355779	N	12x4	1457.00	310
349969	N	18x6	2695.00	560	350538	S	12x6	1475.00	326
349976	N	18x8	2734.00	570	350699	S	12x8	1420.00	351
349983	N	18x10	2810.00	585	355786	N	12x10	1640.00	415
349990	N	18x12	2911.00	605	354970	S	12	1599.00	460
350002	N	18x14	3560.00	740	355724	N	14x6	2077.00	450
350019	N	18x16	3653.00	760	355731	N	14x8	2099.00	475
350026	N	18	3667.00	785	355748	N	14x12	2176.00	555
350033	N	20x6	3407.00	710	355755	N	14	2038.00	712
350125	N	20x8	3454.00	720	356073	N	16x6	2926.00	565
350132	N	20x10	3535.00	735	356080	N	16x8	2938.00	713
350149	N	20x12	3616.00	755	356097	N	16x10	2946.00	748
350156	N	20x14	3703.00	770	356103	N	16x12	2957.00	818
350163	N	20x16	4573.00	950	356110	N	16	2827.00	806
350309	N	20x18	4409.00	965	355885	N	18x12	3064.00	706
350170	N	20	4560.00	1005	355892	N	18	4260.00	915
350187	N	24x6	4813.00	1000	355908	N	20x12	4007.00	820
350194	N	24x8	4859.00	1010	355915	N	20x16	5172.00	1065
350200	N	24x10	4909.00	1020	355922	N	20	5435.00	1175
350217	N	24x12	4820.00	1125	355939	S	24x12	5366.00	1100
350224	N	24x14	5050.00	1050	355946	N	24x14	5476.00	1125
350231	N	24x16	5152.00	1070	355953	N	24x16	5641.00	1160
355106	N	24x18	7079.00	1534	355960	N	24x20	8245.00	1695
355120	N	24x20	7262.00	1510	355977	N	24	8559.00	1850
355144	N	24	7368.00	1685	355984	N	30x24	12007.00	2695
355212	N	30x6	8405.00	1725	355991	N	30	11699.00	2980
355236	N	30x12	8484.00	1801					
355243	N	30x18	8658.00	1815					
355274	N	30x24	11798.00	2475					
355281	N	30	12411.00	2615					
<b>BASE TEE, FLANGED</b>					<b>ECCENTRIC REDUCER FLANGED</b>				
355311	N	3	\$310.00	50	356035	S	4x3	\$147.00	30
350446	N	4	364.00	70	109709	S	6x3	207.00	45
350453	N	6	500.00	115	030850	S	6x4	205.00	52
350460	N	8	701.00	155	356042	S	8x4	270.00	66
350491	N	10	979.00	315	356059	S	8x6	276.00	80
350507	N	12	1397.00	450	356134	S	10x6	465.00	98
052890	N	14	2141.00	550	356141	S	10x8	472.00	123
052906	N	16	2925.00	685	356158	S	12x6	773.00	135
355175	N	18	4113.00	855	356172	S	12x8	777.00	149
355182	N	20	5103.00	1125	356196	S	12x10	780.00	170
355199	N	24	7742.00	1715	052869	N	16x6	1795.00	245
					052876	N	16x8	1804.00	230
					356066	N	16x10	1815.00	255
					356127	N	16x12	1829.00	332
					052883	N	16x14	1840.00	377

# FLANGED FULL BODY EPOXY COATED

**LP-5041**

## Tyler/Union Ductile Iron C110 Flanged Epoxy Coated Fittings

UPC 670610	Ship Code	Size	List Price	Weight	UPC 670610	Ship Code	Size	List Price	Weight
---------------	--------------	------	---------------	--------	---------------	--------------	------	---------------	--------

### ECCENTRIC REDUCER FLANGED (Con't)

355793	N	18x8	\$2314.00	310
355809	N	18x10	2325.00	305
355816	N	18x12	2617.00	325
355823	N	18x14	2623.00	335
355830	N	18x16	2368.00	335
355847	N	20x10	2829.00	350
355854	N	20x12	2846.00	370
356004	N	20x14	3197.00	402
355861	N	20x16	2875.00	449
355878	N	20x18	2889.00	455
356011	N	24x12	4198.00	601
356028	N	24x14	4215.00	570
096795	N	24x16	4232.00	614
096818	N	24x18	4247.00	638
096832	N	24x20	4272.00	637

### CONCENTRIC REDUCER FLANGED

097174	N	3x2	\$103.00	16
085539	N	4x2	140.00	25
097211	N	4x3	140.00	30
097198	N	6x2	233.00	36
110217	N	6x3	203.00	40
398981	N	6x4	200.00	45
097235	N	6x5	260.00	56
097112	N	8x3	301.00	61
131397	N	8x4	255.00	65
097259	N	8x5	321.00	78
399018	N	8x6	259.00	76
058021	N	10x4	463.00	98
097136	N	10x6	450.00	94
131335	N	10x8	452.00	110
085393	N	12x4	699.00	119
097150	N	12x6	683.00	130
110231	N	12x8	753.00	173
348641	N	12x10	763.00	178
052913	N	14x6	1317.00	165
052920	N	14x8	1333.00	185
052937	N	14x10	1334.00	205
348627	N	14x12	1339.00	294
097273	N	16x6	1737.00	245
058045	N	16x8	1752.00	230
096771	N	16x10	1757.00	255
110248	N	16x12	1761.00	285
053583	N	16x14	1798.00	377
096856	N	18x8	2303.00	265
356202	N	18x10	2313.00	290
356219	N	18x12	2314.00	320
096870	N	18x14	2321.00	350
096894	N	18x16	2311.00	405
096917	N	20x10	2815.00	418
356257	N	20x12	2816.00	465
096931	N	20x14	2830.00	430
356264	N	20x16	2832.00	445
356271	N	20x18	2842.00	470
096955	N	24x12	4164.00	608
096979	N	24x14	4172.00	565
097013	N	24x16	4040.00	610

### CONCENTRIC REDUCER FLANGED (Con't)

097037	N	24x18	\$4185.00	645
097051	N	24x20	4180.00	756
097075	N	30x16	6845.00	945
097099	N	30x18	6351.00	970
097532	N	30x20	6355.00	1144
097518	N	30x24	6372.00	1155

### ADAPTER FLANGE (Union Flange)

098775	N	3	\$40.00	7
098799	N	4	51.00	11
098812	N	6	59.00	15
098836	N	8	80.00	22
098850	N	10	143.00	30
098874	N	12	168.00	40

### STANDARD FLANGE THREADED FOR STEEL PIPE

097556	N	2	\$18.50	6
097570	N	2½	17.90	8
399032	N	3	17.90	9
399049	N	4	26.50	12
399063	N	6	32.10	17
099093	N	8	55.50	28
097594	N	10	82.70	35
097631	N	12	123.50	61

### FLANGE THREADED FOR DUCTILE IRON PIPE

098898*	N	3	\$14.10	6
097716	N	4	23.60	11
399094*	N	6	31.60	28
097730	N	8	49.30	35
098911*	N	10	72.40	33
098935*	N	12	102.40	51
098959*	N	14	154.30	72
098973*	N	16	184.00	86
098997*	N	18	201.70	86
099017*	N	20	231.40	115
099031*	N	24	344.20	160
097419#	N	30	814.70	255

\* Mfg. @ UFCO; # Mfg. @ Clow

### STANDARD BLIND FLANGES

099055	N	3	\$21.00	9
399056	N	4	35.00	15
399070	N	6	61.00	28
399100	N	8	98.00	45
097655	N	10	147.00	55
348658	N	12	197.00	73
097433	N	14	327.00	110
097457	N	16	420.00	165
099079	N	18	811.00	167
097396	N	20	1064.00	214
097297	N	24	1547.00	375
097471	N	30	2324.00	580

# FLANGED FULL BODY EPOXY COATED

## Tyler/Union Ductile Iron C110 Flanged Epoxy Coated Fittings

LP-5041

UPC 670610	Ship Code	Size	List Price	Weight	UPC NO. 670610	Ship Code	Tap x O.D.	Size & Tap	List Price	Wt. Weight
---------------	--------------	------	---------------	--------	-------------------	--------------	------------	------------	---------------	---------------

### BLIND FLANGE TAPPED (2-inch Only) SEE NOTE

097679	N	3	\$59.00	11
399117	S	4	70.00	14
399087	S	6	93.00	28
097617	N	8	133.00	40
097693	N	10	183.00	60
097754	N	12	233.00	80
097495	N	14	336.00	110
097372	N	16	453.00	165
097310	N	18	850.00	192
097334	N	20	1076.00	249
097358	N	24	1572.00	375
099338	N	30	2353.00	580

### FLANGE SLUDGE SHOE

099475	N	3	\$311.00	28
099499	N	4	345.00	35
099116	N	6	385.00	45
099130	N	8	442.00	65
099154	N	10	521.00	88
099178	N	12	722.00	120

### FLANGE TRUE WYE

099512	N	4x4x4	\$332.00	49
099536	N	6x4x4	413.00	75
099192	N	6x6x6	553.00	84
099215	N	8x6x6	721.00	134
099239	N	8x8x8	825.00	144

### FLANGExFLARE 90° ELL

099611	N	3	\$229.00	25
099550	N	4	298.00	40
099253	N	6	348.00	70
099277	N	8	579.00	118
099291	N	10	803.00	175
099826	N	12	1020.00	245
099864	N	14	1872.00	450
099888	N	16	2333.00	700
099352	N	18	3442.00	685
099376	N	20	4049.00	860
099390	N	24	5963.00	1195

### FLANGExFLARE PIECE

099635	N	3	\$248.00	20
099574	N	4	267.00	44
099598	N	6	299.00	44
099314	N	8	384.00	75
099925	N	10	466.00	108
099840	N	12	683.00	154
099949	N	14	900.00	190
099901	N	16	1278.00	294
099451	N	18	1660.00	355
099413	N	20	2234.00	465
099437	N	24	2492.00	635

### D.I. REDUCING FLANGE THREADED FOR STEEL PIPE

099659	N	3x9	(4x3)	\$37.00	16
099673	N	4x11	(6x4)	55.00	21
099697	N	4x13½	(8x4)	89.00	37
099727	N	6x13½	(8x6)	89.00	31
099741	N	6x16	(10x6)	141.00	60
099765	N	6x19	(12x6)	213.00	90
099789	N	8x16	(10x8)	141.00	50
099802	N	10x19	(12x10)	213.00	72

### D.I. REDUCING FLANGE THREADED FOR CAST IRON/DI PIPE

099963	N	3x9	(4x3)	\$46.00	15
099987	N	4x11	(6x4)	73.00	25
100041	N	4x13½	(8x4)	114.00	40
100065	N	6x13½	(8x6)	114.00	35
100003	N	8x16	(10x8)	160.00	50
100027	N	8x19	(12x8)	221.00	85

**NOTE - For Tapped Blind Flanges Only:** We stock 2" IPT Taps only. For all tap sizes other than 2" IPT up to a 4" maximum a \$75.00 **NET CHARGE** will be added to the corresponding 2" tapped fitting cost. Special tapped fittings are non-cancellable and non-returnable. Contact CSR for details

# FLANGED FULL BODY PRIME COATED

## LP-5041 Tyler/Union D. I. C110 Flanged Fittings/Prime Out, CL & Seal In

UPC #	Ship Code	Size	List Price	Weight	UPC #	Ship Code	Size	List Price	Weight
-------	-----------	------	------------	--------	-------	-----------	------	------------	--------

### 90° (1/4) BEND FLANGED

382911#	N	2	\$61.00	14
274841	S	3	62.00	25
274865	S	4	93.00	45
274902	S	6	142.00	65
274940	S	8	225.00	105
274971	S	10	414.00	165
275015	S	12	592.00	235
286806#	S	14	1079.00	387
275046	S	16	1457.00	474
342076	S	18	2324.00	527
275053	S	20	3035.00	878
342069	S	24	4785.00	1085
342168#	N	30	7229.00	1755

### 90° (1/4) BASE BEND FLANGED

341062	S	3	\$239.00	38
341079	S	4	276.00	55
286202	S	6	384.00	85
286219	N	8	490.00	141
286240	N	10	714.00	203
332688	N	12	980.00	303
275121#	N	14	1368.00	400
341109#	N	16	1820.00	505
341505	N	18	2704.00	645
341499	N	20	3363.00	805
341048	N	24	4916.00	1215
341284	N	30	7128.00	1945

### 90° (1/4) REDUCING BEND FLANGED

333524	N	4x3	\$121.00	35
286172	S	6x4	188.00	58
342151	N	8x4	276.00	75
274926	S	8x6	277.00	90
342144	N	10x6	567.00	126
286875	S	10x8	575.00	150
317173	N	12x6	925.00	165
286776	N	12x8	1012.00	191
274995	S	12x10	1028.00	218

### 90° (1/4) REDUCING BASE BEND FLANGED (BASE UNDER LARGE END)

341055	N	4x3	\$354.00	43
341093	N	6x4	488.00	75
341253	N	8x4	604.00	115
341307	N	8x6	613.00	135
341260	N	10x6	974.00	175
331292	N	10x8	980.00	196
341239	N	12x6	1562.00	230
341208	N	12x8	1578.00	255
341215	N	12x10	1596.00	285

### 90° (1/4) REDUCING BASE BEND FLANGED (BASE UNDER SMALL END)

341024	N	4x3	\$354.00	45
341086	N	6x4	488.00	75
341246	N	8x4	604.00	115
341291	N	8x6	613.00	135
341277	N	10x6	974.00	170
341567	N	10x8	980.00	195
341222	N	12x6	1562.00	230
341543	N	12x8	1578.00	255
341178	N	12x10	1596.00	285

### 45° (1/8) BEND FLANGED

342137	S	3	\$72.00	20
275305	S	4	95.00	40
275329	S	6	138.00	55
275343	S	8	204.00	91
275367	S	10	379.00	130
318682	S	12	555.00	195
342120#	S	14	1065.00	245
275381#	N	16	1461.00	315
286820	S	18	1671.00	422
342175	S	20	2138.00	485
342182	S	24	3148.00	541
342199#	S	30	5493.00	1335

### 22½° (1/16) BEND FLANGED

342205	N	3	\$83.00	22
342212	S	4	105.00	40
327837	N	6	148.00	58
275404	N	8	223.00	88
275411	N	10	416.00	130
342229	N	12	628.00	195
342083#	N	14	1080.00	250
285373#	N	16	1549.00	417
342250	N	18	1707.00	402
342243#	N	20	2221.00	505
342236	N	24	3273.00	528

### 11¼° (1/32) BEND FLANGED

342267	N	3	\$83.00	20
342113	N	4	105.00	40
342106	N	6	150.00	56
327417	N	8	237.00	88
342090	N	10	437.00	130
275442	N	12	628.00	193
342021#	N	14	1111.00	225
285359#	N	16	1510.00	398
342038	N	18	1724.00	385
342045#	N	20	2245.00	505
342052	N	24	3343.00	760
342007	N	30	5579.00	1395

# Mfg. @ UFCO or Clow

S = From Stock to 2 weeks      N = Non-Stock; Check for availability.

# FLANGED FULL BODY PRIME COATED

## Tyler/Union D. I. C110 Flanged Fittings/Prime Out, CL & Seal In

**LP-5041**

UPC #	Ship Code	Size	List Price	Weight	UPC #	Ship Code	Size	List Price	Weight
670610					670610				
<b>90° (1/4) LONG RADIUS BEND FLANGED</b>					<b>WYE FLANGED (Con't)</b>				
<b>(Not included in AWWA C110)</b>									
342274	N	3	\$115.00	32	343790#	N	20x10	\$4689.00	1095
286257	S	4	142.00	46	343806#	N	20x12	5043.00	1130
275152	S	6	205.00	80	343813#	N	20x14	5118.00	1170
275176	N	8	359.00	154	343820#	N	20x16	5473.00	1220
300199	S	10	572.00	230	342793#	N	20	6032.00	1345
342281	N	12	902.00	325	373346#	N	24	10832.00	2020
286264#	N	14	1577.00	450					
342380#	N	16	1933.00	730					
<b>90° (1/4) LONG RADIUS BASE BEND FLANGED</b>					<b>TEE FLANGED</b>				
341314	N	3	\$189.00	38	382942#	N	2*	\$116.00	20
341031	S	4	218.00	60	333630	N	3x2*	116.00	34
341017	N	6	343.00	92	275466	S	3	111.00	40
286271	S	8	701.00	180	343783	N	4x3x3*	247.00	53
317203	N	10	948.00	275	286912	S	4x2	163.00	50
341000	N	12	1411.00	390	275497	S	4x3	167.00	54
275244#	N	14	2698.00	580	275862	N	4x4x6*	434.00	90
340997#	N	16	2725.00	860	275510	S	4	151.00	66
					275831	N	6x4x4*	527.00	85
					286318	N	6x4x6*	567.00	90
					275886	N	6x6x8*	759.00	140
					342786	N	6x2	267.00	85
					286851	S	6x3	234.00	86
					275558	S	6x4	218.00	90
					275572	S	6	214.00	95
					342779	N	8x6x4*	849.00	130
					342762	N	8x6x6*	908.00	148
					342755	N	8x6x8*	976.00	154
					343837	N	8x8x10*	1199.00	260
					343844	N	8x8x12*	1266.00	310
					286288	N	8x3	535.00	128
					275602	S	8x4	374.00	140
					275626	S	8x6	366.00	147
					275640	S	8	370.00	168
					147992	N	10x6x6	1007.00	278
					343851	N	10x6x10*	1114.00	308
					343868	N	10x8x6*	1025.00	280
					343875	N	10x8x8*	1104.00	295
					343882	N	10x8x10*	1188.00	303
					287377	S	10x4	613.00	215
					286295	S	10x6	583.00	216
					286813	S	10x8	585.00	233
					275695	S	10	586.00	270
					343899	N	10x10x12*	1739.00	337
					343905	N	12x6x6*	1478.00	346
					343912	N	12x6x8*	1565.00	362
					343929	N	12x8x6*	1565.00	355
					342748#	N	12x8x8*	1633.00	375
					343769#	N	12x8x12*	1827.00	420
					343776	N	12x10x6*	1697.00	420
					342663#	N	12x10x8*	1740.00	400
					275855#	N	12x10x10*	1827.00	420
					342670#	N	12x10x12*	1914.00	440
					286783	S	12x4	916.00	301
					275725	S	12x6	870.00	295
					275749	S	12x8	873.00	331
					342687	S	12x10	945.00	355
<b>WYE FLANGED (Not included in AWWA C110)</b>									
342373	N	3	\$165.00	49					
342366	N	4x3	202.00	68					
342359	N	4	228.00	76					
342342	N	6x4	386.00	106					
275930	N	6	388.00	119					
342335	N	8x4	546.00	153					
342328	N	8x6	618.00	188					
286332	N	8	663.00	201					
342397	N	10x4	883.00	232					
342403	N	10x6	885.00	288					
342410	N	10x8	900.00	333					
317197	N	10	1067.00	349					
342427#	N	12x4	1422.00	355					
342434#	N	12x6	1443.00	370					
342441#	N	12x8	1526.00	395					
300175#	N	12x10	1466.00	420					
342458#	N	12	1612.00	460					
342465#	N	14x6	2251.00	604					
342472	N	14x8	2368.00	638					
286349#	N	14x10	2492.00	555					
342496#	N	14x12	2690.00	600					
342489#	N	14	2880.00	740					
342502#	N	16x6	2942.00	655					
342311#	N	16x8	3059.00	680					
342519#	N	16x10	3212.00	715					
275985#	N	16x12	3230.00	755					
342526#	N	16x14	3380.00	800					
342533#	N	16	3640.00	850					
342540	N	18x8	3540.00	820					
342557	N	18x10	3666.00	855					
342564	N	18x12	3863.00	895					
275992	N	18x14	4221.00	940					
342571	N	18x16	4142.00	990					
342588	N	18	4638.00	1035					

# Mfg. @ UFCO or Clow

\*See catalog for laying lengths

# FLANGED FULL BODY PRIME COATED

**LP-5041**

**Tyler/Union D. I. C110 Flanged Fittings/Prime Out, CL & Seal In**

UPC #	Ship Code	Size	List Price	Weight	UPC #	Ship Code	Size	List Price	Weight
-------	-----------	------	------------	--------	-------	-----------	------	------------	--------

**TEE FLANGED (Con't)**

275770	S	12	\$878.00	385
342694#	N	14x4	2150.00	405
342700#	N	14x6	1791.00	530
286790#	N	14x8	1800.00	435
342717#	N	14x10	1811.00	550
342724#	N	14x12	1848.00	470
342731#	S	14	1746.00	602
343752#	N	16x4	2480.00	500
342656#	N	16x6	2555.00	540
327462#	N	16x8	2561.00	620
343707#	N	16x10	2563.00	565
332633#	S	16x12	2566.00	634
343714#	N	16x14	2571.00	610
318675#	S	16	2482.00	675
343721	N	18x6	2566.00	560
343738	N	18x8	2603.00	570
343745	N	18x10	2676.00	585
328872	N	18x12	2772.00	605
342632	N	18x14	3390.00	740
316701	N	18x16	3479.00	760
342649	S	18	3492.00	785
343424	N	20x6	3245.00	710
343448	N	20x8	3290.00	720
343431	N	20x10	3366.00	735
343684	N	20x12	3445.00	755
343677	N	20x14	3527.00	770
275800	N	20x16	4355.00	950
382683#	N	20x18	4199.00	965
343660	N	20	4342.00	1005
343691	N	24x6	4584.00	1000
342625	N	24x8	4627.00	1010
343417	N	24x10	4675.00	1020
342618	N	24x12	4590.00	1125
316718	N	24x14	4810.00	1050
343400	N	24x16	4907.00	1070
316879	N	24x18	6742.00	1534
344926	N	24x20	6916.00	1510
342601	S	24	7017.00	1685
343356	N	30x6	8005.00	1725
343363#	S	30x12	8079.00	1780
343370#	N	30x18	8246.00	1815
343394	N	30x24	11236.00	2475
342595#	S	30	11820.00	2615

**BASE TEE FLANGED**

340980	N	3	\$295.00	50
340973	N	4	347.00	70
340966	N	6	476.00	115
275909	N	8	667.00	155
341185	N	10	933.00	315
340959	N	12	1330.00	450
341192#	N	14	2039.00	550
341116#	N	16	2786.00	685
341536	N	18	3917.00	900
341512	N	20	4860.00	1125
341161	N	24	7374.00	1715

**CROSS FLANGED**

343936	N	3	\$147.00	51
343943	N	4x3	248.00	76
276029	S	4	254.00	92
342847	N	6x3	375.00	95
342830	N	6x4	376.00	112
287025	N	6	374.00	125
344148	N	8x3	583.00	140
317180	N	8x4	578.00	155
332695	N	8x6	583.00	165
276074	N	8	583.00	203
344131#	N	10x4	968.00	220
286387	N	10x6	977.00	242
344124	N	10x8	970.00	265
286622	N	10	1080.00	333
342823#	N	12x4	1387.00	310
344117	N	12x6	1404.00	326
276081	N	12x8	1352.00	351
286608#	N	12x10	1562.00	415
276098	N	12	1523.00	460
344100	N	14x6	1978.00	450
342816	N	14x8	1999.00	475
342809#	N	14x12	2073.00	555
328865#	N	14	1941.00	712
344094	N	16x6	2787.00	565
345107#	N	16x8	2798.00	713
344087#	N	16x10	2805.00	748
344070#	N	16x12	2815.00	818
332664#	N	16	2692.00	806
344063	N	18x12	2918.00	706
344056	N	18	4057.00	915
344049	N	20x12	3815.00	820
344032	N	20x16	4925.00	1065
344025	N	20	5176.00	1175
344018	N	24x12	5111.00	1100
343950	N	24x14	5215.00	1125
343967	N	24x16	5373.00	1160
343974	N	24x20	7852.00	1695
343981	N	24	8151.00	1850
343998	N	30x24	11435.00	2695
344001	N	30	11141.00	2980

**ECCENTRIC REDUCER FLANGED**

276326	N	4x3	\$140.00	30
286950	S	6x3	197.00	45
286455	S	6x4	196.00	52
276364	N	8x4	257.00	70
276388	S	8x6	263.00	80
276401	N	10x6	443.00	98
344896	N	10x8	449.00	123
276425	N	12x6	736.00	135
276432	N	12x8	740.00	149
344889	S	12x10	743.00	170
344872#	N	16x6	1709.00	245
286486#	N	16x8	1718.00	230
344865#	N	16x10	1728.00	255
276470#	N	16x12	1742.00	332
344858#	N	16x14	1752.00	377
344841	S	18x8	2204.00	310

# Mfg. @ UFCO or Clow

# FLANGED FULL BODY PRIME COATED

## Tyler/Union D. I. C110 Flanged Fittings/Prime Out, CL & Seal In

**LP-5041**

UPC #	Ship Code	Size	List Price	Weight	UPC #	Ship Code	Size	List Price	Weight
670610					670610				
<b>ECCENTRIC REDUCER FLANGED (Con't)</b>					<b>CONCENTRIC REDUCER FLANGED (Con't)</b>				
344834	N	18x10	\$2214.00	305	343530	N	24x14	\$3973.00	565
276494	N	18x12	2492.00	325	343523	N	24x16	3848.00	610
344827	N	18x14	2498.00	335	343516	N	24x18	3986.00	645
344810	N	18x16	2255.00	335	343509	N	24x20	3982.00	756
344803	N	20x10	2695.00	350	344582	N	30x16	6518.00	945
344957	N	20x12	2710.00	370	344575	N	30x18	6049.00	970
344797	N	20x14	3045.00	402	344568	N	30x20	6053.00	1144
344780	N	20x16	2738.00	449	344551#	N	30x24	6068.00	1155
344773	N	20x18	2751.00	455	<b>STANDARD BLIND FLANGES</b>				
344766	N	24x12	3998.00	601	286523	S	3	\$20.00	9
343592	N	24x14	4014.00	570	276579	S	4	33.00	15
343608	N	24x16	4030.00	614	285335	S	6	58.00	28
344759	N	24x18	4045.00	645	285328	S	8	93.00	45
344742	N	24x20	4068.00	695	286530	N	10	140.00	55
<b>CONCENTRIC REDUCER FLANGED</b>					276586	S	12	187.00	73
286899	S	3x2	\$98.00	16	286882	N	14	312.00	110
286905	S	4x2	134.00	25	287018	S	16	400.00	165
276135	S	4x3	134.00	30	119845	S	18	772.00	167
276159	S	6x2	222.00	36	286547	N	20	1013.00	214
276173	S	6x3	193.00	40	297109	N	24	1473.00	370
276197	S	6x4	190.00	45	376286	N	30	2213.00	580
276210	N	6x5	248.00	56	<b>BLIND FLANGE TAPPED (2-inch Only)</b>				
344902	N	8x3	287.00	61	<b>SEE NOTE</b>				
286417	S	8x4	243.00	65	286554	S	3	\$55.00	11
343585	N	8x5	305.00	78	287988	S	4	66.00	14
276241	S	8x6	247.00	76	276647	S	6	89.00	25
317210	N	10x4	441.00	98	286561	S	8	126.00	40
286424	S	10x6	428.00	94	298052	N	10	174.00	60
286431	S	10x8	430.00	110	286578	N	12	222.00	80
344650	N	12x4	665.00	119	286639	N	14	320.00	110
276265	S	12x6	650.00	130	376279	N	16	432.00	145
298311	S	12x8	717.00	145	376309	N	18	810.00	192
276296	S	12x10	727.00	178	376316	N	20	1025.00	249
344667#	N	14x6	1254.00	165	376323	N	24	1497.00	275
344674#	N	14x8	1270.00	185	376293	N	30	2241.00	580
286448#	N	14x10	1271.00	205	<b>NOTE - For Tapped Blind Flanges Only:</b> We stock 2" IPT Taps only. For all tap sizes other than 2" IPT up to a 4" maximum a \$75.00 <b>NET CHARGE</b> will be added to the corresponding 2" tapped fitting cost. Special tapped fittings are non-cancellable and non-returnable. Contact CSR for details				
327455#	N	14x12	1275.00	294					
344681#	N	16x6	1654.00	245					
332640#	N	16x8	1668.00	230					
344698#	N	16x10	1673.00	255					
332657#	S	16x12	1677.00	285					
344704#	N	16x14	1712.00	315					
344711	N	18x8	2193.00	265					
343578	N	18x10	2203.00	290					
344629	N	18x12	2204.00	320					
343561	N	18x14	2210.00	350					
316862	N	18x16	2201.00	405					
343554	N	20x10	2682.00	418					
344612	N	20x12	2683.00	465					
276319	N	20x14	2696.00	430					
344599	N	20x16	2697.00	445					
344605	N	20x18	2707.00	470					
343547	N	24x12	3966.00	608					

# Mfg. @ UFCO or Clow

# FLANGED FULL BODY PRIME COATED

**LP-5041**

**Tyler/Union D. I. C110 Flanged Fittings/Prime Out, CL & Seal In**

UPC #	Ship Code	Size	List Price	Weight	UPC #	Ship Code	Size	List Price	Weight
-------	-----------	------	------------	--------	-------	-----------	------	------------	--------

## FLANGE SLUDGE SHOE

344544	N	3	\$296.00	28
344537	N	4	328.00	35
332824	N	6	366.00	45
343493	N	8	422.00	65
344636	N	10	496.00	88
344643	N	12	687.00	120

## FLANGE TRUE WYE

286356	N	4x4x4	\$315.00	49
332718	N	6x4x4	393.00	75
343486	N	6x6x6	527.00	84
344513	N	8x6x6	686.00	134
344520	N	8x8x8	786.00	144

## FLANGExFLARE 90° ELL

272595	N	3	\$218.00	25
333517	N	4	284.00	40
343479	N	6	332.00	70
275275	N	8	552.00	118
300182	N	10	765.00	175
332671	N	12	971.00	245
344940#	N	14	1783.00	450
343462#	N	16	2222.00	700
343455	N	18	3278.00	685
344506	N	20	3857.00	860
344490	N	24	5679.00	1195

## FLANGExFLARE PIECE

318347	N	3	\$236.00	20
343639	N	4	254.00	44
343646	S	6	285.00	44
343653	N	8	365.00	75
276708	N	10	445.00	108
286585	S	12	650.00	154
318330#	N	14	858.00	190
344728#	N	16	1217.00	294
344735	N	18	1580.00	355
343622	N	20	2127.00	465
343615	N	24	2374.00	635

# MJ COMPACT BARE

## Tyler/Union C153 Mechanical Joint Fittings/Bare Castings

**LP-5041**

UPC # 670610	Ship Code	Size	Less Accessories	With Accessories	Weight	UPC # 670610	Ship Code	Size	Less Accessories	With Accessories	Weight
<b>90° (1/4) MJ BEND</b>						<b>90° (1/4) MJxPE BEND</b>					
291671	S	3	\$52.00	\$88.00	20	291787	N	3	\$66.00	\$84.00	20
291688	S	4	60.00	96.00	26	291794	N	4	74.00	92.00	26
291695	S	6	96.00	142.00	48	291800	N	6	118.00	141.00	45
291701	S	8	149.00	203.00	68	291817	N	8	173.00	200.00	65
291718	S	10	234.00	306.00	102	291824	N	10	282.00	318.00	108
291725	S	12	301.00	379.00	141	345626	N	12	357.00	396.00	135
291732	S	14	687.00	843.00	220	345633	N	14	821.00	899.00	220
291749	S	16	784.00	962.00	264	345640	N	16	949.00	1038.00	254
291756	S	18	1501.00	1845.00	411	345671	N	24	3511.00	3708.00	710
291763	S	20	1728.00	2092.00	505	<b>45° (1/8) MJxPE BEND</b>					
291770	S	24	2685.00	3079.00	695	291992	N	3	\$65.00	\$83.00	16
120209	N	30	5045.00	5991.00	1139	292005	S	4	72.00	90.00	22
051237	N	36	7870.00	9086.00	1450	292012	S	6	99.00	122.00	37
<b>45° (1/8) MJ BEND</b>						292029	N	8	146.00	173.00	55
291893	S	3	\$48.00	\$84.00	16	292036	N	10	223.00	259.00	78
291909	S	4	55.00	91.00	22	345268	N	12	282.00	321.00	104
291916	S	6	84.00	130.00	38	345275	N	14	612.00	690.00	165
287704	S	8	130.00	184.00	56	345282	N	16	760.00	849.00	201
291923	S	10	180.00	252.00	81	345329	N	24	2683.00	2880.00	490
291930	S	12	246.00	324.00	111	<b>22½° (1/16) MJxPE BEND</b>					
291947	S	14	517.00	673.00	164	345312	N	3	\$66.00	\$84.00	16
291954	S	16	602.00	780.00	202	345305	N	4	73.00	91.00	20
291961	S	18	1111.00	1455.00	292	292159	N	6	99.00	122.00	33
291978	S	20	1346.00	1710.00	348	345299	N	8	146.00	173.00	51
291985	S	24	1976.00	2370.00	475	348955	N	10	227.00	263.00	66
120230	N	30	4004.00	4950.00	780	345954	N	12	287.00	326.00	89
029861	N	36	5883.00	7099.00	1135	345947	N	14	623.00	701.00	152
<b>22½° (1/16) MJ BEND</b>						345930	N	16	791.00	880.00	181
333098	S	3	\$50.00	\$86.00	16	345961	N	24	2740.00	2937.00	475
292067	S	4	55.00	91.00	21	<b>11¼° (1/32) MJxPE BEND</b>					
292074	S	6	86.00	132.00	37	345664	N	3	\$68.00	\$86.00	15
287728	S	8	133.00	187.00	51	345688	N	4	75.00	93.00	20
292081	S	10	183.00	255.00	67	297567	N	6	102.00	125.00	32
292098	S	12	249.00	327.00	80	345695	N	8	151.00	178.00	44
292104	N	14	533.00	689.00	148	345992	N	10	236.00	272.00	60
292111	S	16	602.00	780.00	179	345985	N	12	298.00	337.00	79
292128#	N	18	1123.00	1467.00	292	345978	N	14	623.00	701.00	137
292135	N	20	1451.00	1815.00	364	345916	N	16	791.00	880.00	161
292142	S	24	2086.00	2480.00	460	346005	N	24	2740.00	2937.00	475
120261	N	30	4147.00	5093.00	664	<b>90° (1/4) MJxFE BEND</b>					
<b>11¼° (1/32) MJ BEND</b>						345893	N	3	\$93.00	\$111.00	21
345619	N	3	\$52.00	\$88.00	15	291848	S	4	102.00	120.00	28
292166	N	4	61.00	97.00	20	291855	N	6	146.00	169.00	46
292173	S	6	86.00	132.00	33	291862	S	8	226.00	253.00	73
287711	S	8	135.00	189.00	48	291879	N	10	335.00	371.00	113
292180	S	10	185.00	257.00	61	291886	N	12	421.00	460.00	155
292197	S	12	252.00	330.00	79	345886	N	14	954.00	1032.00	227
292203	N	14	528.00	684.00	136	345879	N	16	1050.00	1139.00	278
292210	S	16	641.00	819.00	159	<b># Mfg. @ UFCO or Clow</b>					
292227#	N	18	1136.00	1480.00	292						
292234#	N	20	1322.00	1686.00	377						
292241	N	24	1963.00	2357.00	485						
052289	N	30	4121.00	5067.00	567						

# MJ COMPACT BARE

## LP-5041 Tyler/Union C153 Mechanical Joint Fittings/Bare Castings

UPC # 670610	Ship Code	Size	Less Accessories	With Accessories	Weight	UPC # 670610	Ship Code	Size	Less Accessories	With Accessories	Weight
<b>45° (1/8) MJxFE BEND</b>						<b>FExPE ADAPTER (12" Laying Length)</b>					
390442	N	4	\$103.00	\$121.00	34	294627	N	4	\$71.00	N/A	23
390459	N	6	147.00	170.00	57	294634	N	6	100.00	N/A	35
390466	N	8	225.00	252.00	83	294641	N	8	152.00	N/A	50
390473	N	10	339.00	375.00	122	294658#	N	10	234.00	N/A	69
390480	N	12	428.00	467.00	159	345145#	N	12	299.00	N/A	88
390633	N	14	954.00	1032.00	207	345121#	N	16	553.00	N/A	149
390640	N	16	1070.00	1159.00	290						
<b>22½° (1/8) MJxFE BEND</b>						<b>MJ TEE</b>					
390497	N	4	\$103.00	\$121.00	34	288022	S	3	\$73.00	\$127.00	26
390503	N	6	148.00	171.00	57	292258	S	4x3	92.00	146.00	35
390510	N	8	228.00	255.00	83	288039	S	4	90.00	144.00	35
390527	N	10	339.00	375.00	122	292265	N	6x3	115.00	179.00	51
390534	N	12	428.00	467.00	159	288046	S	6x4	120.00	184.00	52
						288053	S	6	130.00	199.00	66
<b>11¼° (1/8) MJxFE BEND</b>						292272	N	8x3	178.00	250.00	68
390541	N	4	\$103.00	\$121.00	19	292289	S	8x4	170.00	242.00	71
390558	N	6	148.00	171.00	30	288060	S	8x6	185.00	262.00	79
390565	N	8	228.00	255.00	50	288077	S	8	201.00	282.00	90
390572	N	10	330.00	366.00	75	345794	N	10x3	247.00	337.00	80
390589	N	12	418.00	457.00	88	292296	S	10x4	246.00	336.00	82
<b>MJ WYE (Not included in AWWA C153)</b>						288084	S	10x6	255.00	350.00	99
292777	S	3	\$183.00	\$237.00	37	292302	S	10x8	263.00	362.00	116
345862	N	4x3	193.00	247.00	39	288091	S	10	301.00	409.00	120
292784	S	4	201.00	255.00	45	345787	N	12x3	312.00	408.00	99
292791	S	6x4	242.00	306.00	67	288107	S	12x4	313.00	409.00	108
292807	S	6	249.00	318.00	93	288114	S	12x6	315.00	416.00	115
292814	S	8x4	332.00	404.00	93	292319	S	12x8	329.00	434.00	126
292821	S	8x6	338.00	415.00	113	292326	S	12x10	391.00	505.00	159
292838	S	8	372.00	453.00	136	292333	S	12	410.00	527.00	166
292845	S	10x4	648.00	738.00	118	292340	N	14x6	680.00	859.00	183
292852	N	10x6	651.00	746.00	129	292357	N	14x8	876.00	1059.00	211
292869	N	10x8	680.00	779.00	170	345770	N	14x10	1099.00	1291.00	229
292876	S	10	701.00	809.00	188	350705	N	14x12	967.00	1162.00	235
345855	N	12x4	805.00	901.00	150	292364	N	14	1021.00	1255.00	281
292883	S	12x6	821.00	922.00	186	292371	S	16x6	890.00	1091.00	229
292890	S	12x8	874.00	979.00	188	292388	S	16x8	902.00	1107.00	245
292906	N	12x10	1046.00	1160.00	223	292395	N	16x10	1020.00	1234.00	265
292913	S	12	1051.00	1168.00	272	292401	S	16x12	942.00	1159.00	281
292937	N	14	2393.00	2627.00	465	345763	N	16x14	1157.00	1413.00	317
345817	N	16x6	1957.00	2158.00	300	292418	S	16	1073.00	1340.00	323
292944	N	16x8	2072.00	2277.00	350	300816	N	18x6	1629.00	1996.00	275
292968	N	16x12	2278.00	2495.00	465	292425	N	18x8	1687.00	2058.00	280
292975	S	16	2982.00	3249.00	575	345756#	N	18x10	2066.00	2446.00	301
<b>MJxFE ADAPTER (6" Laying Length)</b>						300786	N	18x12	1901.00	2284.00	372
294535	N	3	\$86.00	\$104.00	18	345749	N	18x14	2223.00	2645.00	415
294542	S	4	92.00	110.00	24	345732	N	18x16	2049.00	2482.00	476
294559	S	6	98.00	121.00	36	292432	S	18	2334.00	2850.00	490
294566	S	8	132.00	159.00	52	345725	N	20x6	1636.00	2023.00	335
294573	N	10	164.00	200.00	67	345718	S	20x8	1648.00	2039.00	383
294580	S	12	192.00	231.00	80	292449	N	20x10	2365.00	2765.00	410
294597	N	14	412.00	490.00	127	292456	N	20x12	1925.00	2328.00	432
294603	N	16	498.00	587.00	155	345701	N	20x14	2327.00	2769.00	514
373230#	N	20	1133.00	1315.00	275	292463	N	20x16	2197.00	2650.00	553
						345602	N	20x18	2747.00	3283.00	560
						292470	S	20	2493.00	3039.00	605
						345596	N	24x6	2371.00	2788.00	454
						345589	N	24x8	2728.00	3149.00	475
						292487	N	24x10	2924.00	3354.00	505

# MJ COMPACT BARE

## Tyler/Union C153 Mechanical Joint Fittings/Bare Castings

**LP-5041**

UPC #	Ship Code	Size	Less Accessories	With Accessories	Weight	UPC #	Ship Code	Size	Less Accessories	With Accessories	Weight
-------	-----------	------	------------------	------------------	--------	-------	-----------	------	------------------	------------------	--------

### MJ TEE (Con't)

292494	N	24x12	\$2753.00	\$3186.00	545
345572	N	24x14	3561.00	4033.00	585
345565	N	24x16	2901.00	3384.00	625
300793	N	24x18	4473.00	5039.00	721
345558	N	24x20	3728.00	4304.00	740
292500	S	24	3678.00	4269.00	830
100249	N	30x6	3432.00	4401.00	717

### MJxFE TEE

345541	N	3	\$103.00	\$139.00	29
345534	N	4x3	104.00	140.00	34
345527	N	4	120.00	156.00	38
345510	N	6x3	174.00	220.00	54
292517	N	6x4	188.00	234.00	57
292524	N	6	192.00	238.00	64
292531	N	8x4	254.00	308.00	82
292548	N	8x6	265.00	319.00	83
292555	N	8	282.00	336.00	101
345480	N	10x4	359.00	431.00	92
292562	N	10x6	361.00	433.00	116
345473	N	10x8	386.00	458.00	128
345466	N	10	442.00	514.00	144
292579	N	12x4	441.00	519.00	118
292586	N	12x6	443.00	521.00	133
292593	N	12x8	465.00	543.00	146
345442	N	12x10	551.00	629.00	174
292609	N	12	567.00	645.00	198
292616	N	14x6	860.00	1016.00	205
345428	N	14x10	1145.00	1301.00	244
345411	N	14x12	1237.00	1393.00	276
292623	N	14	1438.00	1594.00	302
292630	N	16x6	1092.00	1270.00	213
292647	N	16x8	1121.00	1299.00	260
345404	N	16x10	1196.00	1374.00	281
292654	N	16x12	1201.00	1379.00	304
345398	N	16x14	1611.00	1789.00	357
292661	N	16	1866.00	2044.00	374
345381	N	18x6	1712.00	2056.00	261
373292#	N	18x8	2649.00	2993.00	351
345374	N	20x6	2407.00	2771.00	372
345367	N	24x6	2901.00	3295.00	460
373254#	N	24x12	5268.00	5662.00	580
373261#	N	24x16	6139.00	6533.00	744

### MJxPExMJ TEE

390596	N	6	\$259.00	\$305.00	57
390602	N	8x6	354.00	404.00	79
390619	N	8	276.00	330.00	83
390626	N	10	529.00	601.00	133

### MJxSWIVEL TEE (Includes Swivel Gland)

292678	N	6	\$208.00	\$254.00	78
292685	N	8x6	255.00	309.00	95
346036	N	8	299.00	353.00	116
292692	N	10x6	362.00	434.00	111
346029	N	10x8	422.00	494.00	138
292708	N	12x6	442.00	520.00	132
346081	N	12x8	514.00	592.00	149
346074	N	14x6	865.00	1021.00	211
292715	N	16x6	967.00	1145.00	248
346067	N	18x6	1913.00	2257.00	330
346050	N	20x6	1802.00	2166.00	391
346043	N	24x6	2789.00	3183.00	478

### MJ TAPPED TEE

390817	N	3x2	\$84.00	\$120.00	20
390824	N	4x2	82.00	118.00	24
390831	N	6x2	101.00	147.00	37
390848	N	8x2	148.00	202.00	53
391005	N	10x2	187.00	259.00	67
391012	N	12x2	239.00	317.00	83
391401	N	16x2	713.00	891.00	162

### SOLID PLUG

383499	S	3	\$24.00	N/A	8
294238	S	4	25.00	N/A	10
383505	S	6	41.00	N/A	18
294252	S	8	60.00	N/A	26
383512	S	10	86.00	N/A	36
294276	S	12	110.00	N/A	46
383529	N	14	277.00	N/A	79
383536	N	16	359.00	N/A	100
294306	N	18	580.00	N/A	128
383543	S	20	624.00	N/A	158
294320	N	24	1000.00	N/A	202

### TAPPED PLUG

384526	N	3x2	\$42.00	N/A	9
384502	N	4x2	43.00	N/A	10
384533	N	6x2	63.00	N/A	18
284540	N	8x2	79.00	N/A	26
384557	N	10x2	103.00	N/A	36
384564	N	12x2	128.00	N/A	47
384625	N	14x2	309.00	N/A	79
384632	N	16x2	389.00	N/A	98
384663	N	18x2	660.00	N/A	138
384670	N	20x2	745.00	N/A	160
384687	N	24x2	1166.00	N/A	223

# Mfg. @ UFCO or Clow

**NOTE - For Tapped Tees, Plugs and Caps Only:** We stock 2" IPT Taps only. For all tap sizes other than 2" IPT up to a 4" maximum a \$75.00 **NET CHARGE** will be added to the corresponding 2" tapped fitting cost. Special tapped fittings are non-cancellable and non-returnable. Contact CSR for details

# MJ COMPACT BARE

## LP-5041

## Tyler/Union C153 Mechanical Joint Fittings/Bare Castings

UPC #	Ship Code	Size	Less Accessories	With Accessories	Weight	UPC #	Ship Code	Size	Less Accessories	With Accessories	Weight
-------	-----------	------	------------------	------------------	--------	-------	-----------	------	------------------	------------------	--------

### SOLID SLEEVE SHORT

383192	S	3	\$42.00	\$78.00	13
383185	S	4	45.00	81.00	19
293880	S	6	65.00	111.00	28
293897	S	8	87.00	141.00	38
383208	S	10	117.00	189.00	49
383215	S	12	133.00	211.00	62
383222	S	14	316.00	472.00	116
383239	S	16	387.00	565.00	138
383246#	S	18	834.00	1178.00	160
383253#	N	20	925.00	1289.00	212
383260#	S	24	1324.00	1718.00	272

### SOLID SLEEVE LONG

293941	S	3	\$60.00	\$96.00	22
293958	S	4	62.00	98.00	24
293965	S	6	91.00	137.00	39
293972	S	8	120.00	174.00	53
293989	S	10	151.00	223.00	68
293996	S	12	189.00	267.00	82
294009	S	14	415.00	571.00	141
294016	S	16	488.00	666.00	172
294023	S	18	1037.00	1381.00	200
294030	N	20	1049.00	1413.00	269
294047	S	24	1470.00	1864.00	377

### MJ CAP

294504	S	3	\$24.00	\$42.00	8
294601	S	4	25.00	43.00	10
294078	S	6	39.00	62.00	17
294085	S	8	61.00	88.00	25
294092	S	10	85.00	121.00	32
294108	S	12	102.00	141.00	44
383550	N	14	302.00	380.00	85
383567	N	16	327.00	416.00	93
294139	N	18	495.00	667.00	122
383574	S	20	530.00	712.00	149
294153	N	24	785.00	982.00	210

### TAPPED CAP

384519	N	3x2	\$43.00	\$61.00	8
384571	N	4x2	45.00	63.00	10
384588	N	6x2	62.00	85.00	17
384595	N	8x2	84.00	111.00	25
384601	N	10x2	102.00	138.00	32
384618	N	12x2	125.00	164.00	44
384649	N	14x2	346.00	424.00	85
384656	N	16x2	366.00	455.00	93
384694	N	18x2	592.00	764.00	122
384700	N	20x2	666.00	848.00	149
384717	N	24x2	1049.00	1246.00	210

**NOTE - For Tapped Tees, Plugs and Caps Only:** We stock 2" IPT Taps only. For all tap sizes other than 2" IPT up to a 4" maximum a \$75.00 **NET CHARGE** will be added to the corresponding 2" tapped fitting cost. Special tapped fittings are non-cancellable and non-returnable. Contact CSR for details

### MJ REDUCER

293071	S	4x3	\$53.00	\$89.00	18
345350	N	6x3	66.00	107.00	28
293088	S	6x4	65.00	106.00	27
293095	S	8x4	93.00	138.00	36
293101	S	8x6	101.00	151.00	40
293118	N	10x4	120.00	174.00	53
293125	S	10x6	122.00	181.00	59
293132	N	10x8	136.00	199.00	54
345343	N	12x4	162.00	219.00	67
293149	S	12x6	162.00	224.00	67
293156	S	12x8	178.00	244.00	64
293163	S	12x10	193.00	268.00	78
345336	N	14x6	366.00	467.00	104
293170	N	14x8	366.00	471.00	104
293187	N	14x10	349.00	463.00	100
345251	N	14x12	403.00	520.00	97
293194	N	16x6	412.00	524.00	132
345244	N	16x8	423.00	539.00	136
345237	N	16x10	458.00	583.00	128
293200	S	16x12	464.00	592.00	122
298106	N	16x14	567.00	734.00	140
345220	N	18x8	885.00	1084.00	190
345213	N	18x10	1133.00	1341.00	196
293217	N	18x12	999.00	1210.00	185
345206	N	18x14	1041.00	1291.00	197
293224#	N	18x16	987.00	1248.00	196
345190	N	20x10	1123.00	1341.00	225
293231	N	20x12	1125.00	1346.00	210
345183#	N	20x14	1546.00	1806.00	208
293248	N	20x16	1322.00	1593.00	238
345176	N	20x18	1560.00	1914.00	250
293255	N	24x12	1543.00	1779.00	327
345152	N	24x14	2015.00	2290.00	315
345169	N	24x16	1728.00	2014.00	324
293262	N	24x18	1812.00	2181.00	328
293279	N	24x20	1851.00	2230.00	334

### SMALL END BELL (SEB) REDUCER

293286	N	4x3	\$50.00	\$68.00	17
390855	N	6x3	61.00	79.00	25
293309	N	6x4	67.00	85.00	26
293316	N	8x4	95.00	113.00	34
293323	N	8x6	103.00	126.00	38
390930	N	10x4	116.00	134.00	46
287476	N	10x6	126.00	149.00	48
293347	N	10x8	136.00	163.00	52
390947	N	12x4	159.00	177.00	61
293354	N	12x6	166.00	189.00	58
293361	N	12x8	180.00	207.00	62
293378	N	12x10	189.00	225.00	62
391111	N	14x6	410.00	433.00	107
391128	N	14x8	426.00	453.00	107
391135	N	14x10	437.00	473.00	102
293385	N	14x12	442.00	481.00	101
391142	N	16x6	435.00	458.00	131
391159	N	16x8	437.00	464.00	128
391166	N	16x10	498.00	534.00	124

# MJ COMPACT BARE

## Tyler/Union C153 Mechanical Joint Fittings/Bare Castings

**LP-5041**

UPC # 670610	Ship Code	Size	Less Accessories	With Accessories	Weight	UPC # 670610	Ship Code	Size	Less Accessories	With Accessories	Weight
-----------------	--------------	------	---------------------	---------------------	--------	-----------------	--------------	------	---------------------	---------------------	--------

### SMALL END BELL (SEB) REDUCER (Con't)

293415	N	16x12	\$502.00	\$541.00	123
391173	N	16x14	564.00	642.00	139
391180	N	18x8	985.00	1012.00	180
391197	N	18x10	1117.00	1153.00	180
391203	N	18x12	999.00	1038.00	170
391210	N	18x14	1037.00	1115.00	181
391227	N	18x16	1210.00	1299.00	180
391470	N	20x10	1108.00	1144.00	210
391487	N	20x12	1112.00	1151.00	208
391418	N	20x14	1328.00	1406.00	198
391425	N	20x16	1195.00	1284.00	215
391432	N	20x18	1564.00	1736.00	220
391494	N	24x12	1525.00	1564.00	300
391500	N	24x14	1979.00	2057.00	325
391517	N	24x16	1763.00	1852.00	319
391524	N	24x18	1896.00	2068.00	310
391531	N	24x20	1961.00	2143.00	305

### MJ PE REDUCER

390886	N	4x3	\$50.00	N/A	17
390893	N	6x3	66.00	N/A	20
390909	N	6x4	71.00	N/A	26
390916	N	8x4	93.00	N/A	33
391081	N	8x6	115.00	N/A	41
390985	N	10x6	151.00	N/A	49
391050	N	10x8	157.00	N/A	47
390992	N	12x4	166.00	N/A	60
391067	N	12x6	183.00	N/A	58
391074	N	12x8	195.00	N/A	60
391036	N	12x10	207.00	N/A	59
391357	N	14x12	461.00	N/A	100
391364	N	16x6	457.00	N/A	128
391371	N	16x8	459.00	N/A	136
391388	N	16x10	511.00	N/A	128
391104	N	16x12	521.00	N/A	113
391395	N	16x14	660.00	N/A	133

### LARGE END BELL (LEB) REDUCER

390862	N	4x3	\$53.00	\$71.00	18
390879	N	6x3	67.00	90.00	28
293484	N	6x4	70.00	93.00	27
293491	N	8x4	93.00	120.00	36
293507	N	8x6	104.00	131.00	38
390954	N	10x4	118.00	154.00	48
293514	N	10x6	127.00	163.00	50
293521	N	10x8	141.00	177.00	51
390961	N	12x4	172.00	211.00	64
391043	N	12x6	174.00	213.00	63
391029	N	12x8	187.00	226.00	62
390978	N	12x10	195.00	234.00	63
391234	N	14x6	384.00	462.00	112
391241	N	14x8	393.00	471.00	108
391258	N	14x10	400.00	478.00	100
293576	N	14x12	470.00	548.00	96
391265	N	16x6	459.00	548.00	144
391272	N	16x8	461.00	550.00	136
391289	N	16x10	498.00	587.00	116
391028	N	16x12	502.00	591.00	116
391296	N	16x14	576.00	665.00	135
391302	N	18x8	923.00	1095.00	195
391319	N	18x10	989.00	1161.00	185
391326	N	18x12	1008.00	1180.00	183
391333	N	18x14	1020.00	1192.00	200
391340	N	18x16	1080.00	1252.00	192
391449	N	20x10	1076.00	1258.00	210
391548	N	20x12	1138.00	1320.00	210
390657	N	20x14	1147.00	1329.00	205
391456	N	20x16	1215.00	1397.00	238
391555	N	24x12	1564.00	1761.00	300
391463	N	24x14	1745.00	1942.00	322
391562	N	24x16	1810.00	2007.00	340

### MJ CROSS

346265	N	3	\$112.00	\$184.00	31
346258	N	4x3	128.00	200.00	39
292982	N	4	137.00	209.00	45
346241	N	6x4	170.00	252.00	62
292999	S	6	197.00	289.00	80
300823	N	8x4	218.00	308.00	84
293002	S	8x6	260.00	360.00	108
293019	S	8	289.00	397.00	120
346234	N	10x4	301.00	409.00	98
346227	N	10x6	333.00	451.00	121
346210	N	10x8	363.00	489.00	138
293026	N	10	429.00	573.00	156
346203	N	12x4	393.00	507.00	119
346197	N	12x6	425.00	549.00	138
293033	N	12x8	448.00	580.00	162
346180	N	12x10	533.00	683.00	187
293040	N	12	558.00	714.00	212
346173	N	14x6	1313.00	1515.00	210
346166	N	14x8	1353.00	1563.00	231
346159	N	14x10	1374.00	1602.00	255
346142	N	14x12	1459.00	1693.00	269
293057	N	14	1565.00	1877.00	344
346135	N	16x6	1625.00	1849.00	246
346128	N	16x8	1455.00	1687.00	261
346111	N	16x10	1565.00	1815.00	296
346104	N	16x12	1591.00	1847.00	312
293064	N	16	1884.00	2240.00	410

### SWIVELxSOLID HYDRANT ADAPTER

#### With Swivel Gland

348979	N	6x13	\$143.00	N/A	52
347415	N	6x18	180.00	N/A	59
347408	N	6x24	217.00	N/A	75
390664	N	8x12	246.00	N/A	52

Mfg. @ UFCO or Clow

# MJ FULL BODY BARE

## LP-5041 Tyler/Union D.I. C110 Mechanical Joint Fittings/Bare Castings

UPC #	Ship Code	Size	Less Accessories	With Accessories	Weight	UPC #	Ship Code	Size	Less Accessories	With Accessories	Weight
<b>90° (1/4) MJ BEND</b>						<b>90° MJxPE BEND</b>					
288312	N	2	\$129.00	\$155.00	16	101963	N	3	\$121.00	\$138.00	36
288329	N	3	104.00	138.00	35	100669	N	6	270.00	300.00	79
288336	S	4	160.00	200.00	55	030058	N	8	395.00	430.00	119
288343	S	6	215.00	275.00	85	135098	N	16	2451.00	2551.00	470
288350	S	8	312.00	382.00	110	100461	N	18	2871.00	3036.00	600
288367	S	10	477.00	559.00	190	100485	N	20	4239.00	4447.00	775
288374	S	12	628.00	728.00	255	100508	N	24	6028.00	6271.00	1301
288381	N	14	1062.00	1236.00	380	102045	N	30	9839.00	10528.00	1920
288398	N	16	1279.00	1479.00	490	134572	N	36	14439.00	15227.00	2310
346449	N	18	1952.00	2282.00	602						
288404	N	20	3141.00	3557.00	862						
298328	N	24	4161.00	4647.00	1423						
298335	N	30	7853.00	9231.00	2030						
129936	N	36	11872.00	13448.00	2629						
<b>45° (1/8) MJ BEND</b>						<b>45° MJxPE BEND</b>					
288589	N	2	\$115.00	\$141.00	16	056607	N	4	\$170.00	\$190.00	45
288596	N	3	93.00	127.00	30	100683	N	6	235.00	265.00	83
288602	S	4	145.00	185.00	50	100300	N	16	1987.00	2087.00	360
288619	S	6	195.00	255.00	75	135111	N	18	2128.00	2293.00	455
288626	S	8	274.00	344.00	110	135135	N	20	3457.00	3665.00	664
288633	N	10	399.00	481.00	155	100522	N	24	3948.00	4191.00	870
288640	S	12	528.00	628.00	215	102069	N	30	7811.00	8500.00	1510
372738	N	14	854.00	1028.00	311	134596	N	36	11955.00	12743.00	1930
288664	S	16	1299.00	1499.00	380						
346364	N	18	1504.00	1834.00	531						
346357	S	20	2277.00	2693.00	605						
298144	N	24	3011.00	3497.00	1099						
288671#	N	30	6258.00	7636.00	1620						
373322#	N	36	9707.00	11283.00	2435						
<b>22 1/2° (1/16) MJ BEND</b>						<b>22 1/2° MJxPE BEND</b>					
288787	N	3	\$95.00	\$129.00	30	100706	N	6	\$235.00	\$265.00	70
288794	N	4	148.00	188.00	50	102021	N	8	347.00	382.00	105
288800	N	6	199.00	259.00	77	100362	N	16	1988.00	2088.00	360
288817	S	8	274.00	344.00	110	100447	N	18	2176.00	2341.00	455
288824	N	10	414.00	496.00	160	135169	N	20	2751.00	2959.00	575
288831	N	12	532.00	632.00	221	100546	N	24	4020.00	4263.00	930
372721	N	14	908.00	1082.00	300	102083	N	30	7939.00	8628.00	1540
288855	N	16	1162.00	1362.00	391	134619	N	36	12286.00	13074.00	1970
346340	N	18	1557.00	1887.00	527						
328834#	N	20	2316.00	2732.00	611						
328827	N	24	3265.00	3751.00	986						
288862	N	30	6475.00	7853.00	1898						
130062	N	36	10091.00	11667.00	2372						
<b>11 1/4° (1/32) MJ BEND</b>						<b>11 1/4° MJxPE BEND</b>					
350477	N	3	\$96.00	\$130.00	30	100560	N	24	\$4043.00	\$4286.00	972
288930	N	4	150.00	190.00	50	135371	N	30	7939.00	8628.00	1305
288947	N	6	199.00	259.00	75	134633	N	36	12286.00	13074.00	2185
288954	N	8	274.00	344.00	104						
288961	N	10	414.00	496.00	160						
288978	N	12	542.00	642.00	221						
372714	N	14	908.00	1082.00	305						
288992	N	16	1162.00	1362.00	391						
346333	N	18	1557.00	1887.00	525						
328810	N	20	2335.00	2751.00	605						
328780	N	24	3265.00	3751.00	996						
350484	N	30	6475.00	7853.00	1410						
134588	N	36	10091.00	11667.00	2397						
						<b>90° MJxFE BEND</b>					
135173	N	16	\$1780.00	\$1880.00	465						
100423	N	18	2209.00	2374.00	577						
100584	N	24	5838.00	6081.00	1150						
						<b>45° MJxFE BEND</b>					
100324	N	16	\$2009.00	\$2109.00	360						
100409	N	18	2152.00	2317.00	430						
100607	N	24	3827.00	4070.00	873						
						<b>22 1/2° MJxFE BEND</b>					
135197	N	16	\$2009.00	\$2109.00	315						
135210	N	18	2152.00	2317.00	422						
100621	N	24	3827.00	4070.00	810						
						<b>11 1/4° MJxFE BEND</b>					
100348	N	16	\$2009.00	\$2109.00	367						
100386	N	18	2152.00	2317.00	405						
100645	N	24	3827.00	4070.00	810						

# Mfg. @ UFCO or Clow

# MJ FULL BODY BARE

## Tyler/Union D.I. C110 Mechanical Joint Fittings/Bare Castings

**LP-5041**

UPC #	Ship Code	Size	Less Accessories	With Accessories	Weight	UPC #	Ship Code	Size	Less Accessories	With Accessories	Weight
<b>MJ TEE</b>						<b>MJ TEE (Con't)</b>					
346326	N	2	\$197.00	\$236.00	22	100201	N	36x6	\$14889.00	\$16495.00	3684
346319	N	3x2	230.00	277.00	45	134657	N	36x8	10586.00	12197.00	2816
289067	N	3	172.00	223.00	58	134671	N	36x10	10645.00	12262.00	2535
289074	N	4x2	235.00	288.00	57	134695	N	36x12	12218.00	13844.00	2550
289081	N	4x3	214.00	271.00	77	134718	N	36x14	10767.00	12430.00	2570
289098	S	4	241.00	301.00	78	134732	N	36x16	12349.00	14025.00	2585
346302	N	4x4x6	379.00	449.00	115	134756	N	36x18	10854.00	12595.00	2610
346296	N	6x2	311.00	384.00	78	134770	N	36x20	12521.00	14305.00	2635
289104	N	6x3	291.00	368.00	110	134794	N	36x24	12791.00	14610.00	2792
289111	N	6x4	309.00	389.00	115	134817	N	36x30	14942.00	17207.00	3545
289128	S	6	323.00	413.00	119	134831	N	36	17978.00	20342.00	3982
347064	N	6x6x8	560.00	655.00	185	<b>MJxFE TEE</b>					
289135	N	8x3	407.00	494.00	155	346807	N	4x2	\$342.00	\$382.00	49
289142	N	8x4	415.00	505.00	165	346791	N	4	292.00	332.00	76
289159	S	8x6	440.00	540.00	175	346760	N	6x4	362.00	422.00	109
289166	S	8	461.00	566.00	185	346753	N	6	426.00	486.00	115
289180	N	10x6	647.00	759.00	258	346746	N	8x4	590.00	660.00	150
289197	N	10x8	665.00	782.00	260	346739	N	8x6	542.00	612.00	160
289203	S	10	793.00	916.00	310	346722	N	8	702.00	772.00	194
289210	N	12x4	791.00	911.00	318	346715	N	10x4	907.00	989.00	229
289227	N	12x6	798.00	928.00	325	346708	N	10x6	775.00	857.00	264
289234	N	12x8	836.00	971.00	335	346692	N	10x8	826.00	908.00	245
289241	N	12x10	991.00	1132.00	392	346685	N	12x4	1332.00	1432.00	323
289258	N	12	1008.00	1158.00	410	289562	N	12x6	954.00	1054.00	315
289326#	N	16x4	2098.00	2318.00	600	346678	N	12x8	1216.00	1316.00	372
289333#	N	16x6	1853.00	2083.00	656	346661	N	12	1877.00	1977.00	405
289340#	N	16x8	1878.00	2113.00	625	346654#	N	16x4	2852.00	3052.00	620
289357#	N	16x10	1976.00	2217.00	645	346647#	N	16x6	3002.00	3202.00	605
289364#	N	16x12	2026.00	2276.00	715	346630#	N	16x8	3043.00	3243.00	615
289371#	N	16	2541.00	2841.00	780	346623#	N	16x12	3226.00	3426.00	651
289388	N	18x6	2151.00	2511.00	710	346616#	N	16	3620.00	3820.00	730
347002	N	18x8	2204.00	2569.00	674	346609	N	18x6	3182.00	3512.00	707
289395	N	18x12	2300.00	2680.00	749	346593	N	18x8	3230.00	3560.00	675
346999	N	18	3048.00	3543.00	945	346586	N	18x12	3103.00	3433.00	705
346982	N	20x6	2546.00	2992.00	830	346562	N	18	5035.00	5365.00	915
346975	N	20x8	2723.00	3174.00	845	346548	N	20x8	3676.00	4092.00	835
346968	N	20x12	2817.00	3283.00	875	346517	N	20	6410.00	6826.00	1165
346951	N	20x16	3524.00	4040.00	1095	346500	N	24x6	6061.00	6547.00	1125
289401	N	20	3813.00	4437.00	1258	346494	N	24x8	5986.00	6472.00	1242
346944	N	24x6	4050.00	4566.00	1233	135234	N	24x12	5263.00	5749.00	1165
346937	N	24x8	4115.00	4636.00	1234	346470	N	24	8077.00	8563.00	1795
350712	N	24x12	4215.00	4751.00	1256	346456	N	30	18463.00	19841.00	3080
346913	N	24x14	4332.00	4905.00	1220	134855	N	36x6	20251.00	21827.00	2430
298137	N	24x16	4429.00	5015.00	1245	134879	N	36x12	22164.00	23740.00	2550
346906	N	24x18	5790.00	6441.00	1660	134893	N	36x16	24048.00	25624.00	2450
346890	N	24x20	6012.00	6706.00	1720	134916	N	36x24	27221.00	28797.00	2660
346883	N	24	6378.00	7107.00	1947						
346876#	N	30x6	8030.00	9438.00	2050	# Mfg. @ UFCO or Clow					
346869#	N	30x8	7229.00	8642.00	2060	† Available from Tyler Only					
346852#	N	30x10	7291.00	8710.00	2075						
346845#	N	30x12	8414.00	9842.00	2090						
289418#	N	30x16	8575.00	10053.00	2145						
346838#	N	30x18	7562.00	9105.00	2170						
346821#	N	30x20	7689.00	9275.00	2205						
346814#	N	30x24	11503.00	13124.00	2880						
289425#	N	30	12304.00	14371.00	2388						

# MJ FULL BODY BARE

## LP-5041 Tyler/Union D.I. C110 Mechanical Joint Fittings/Bare Castings

UPC #	Ship Code	Size	Less Accessories	With Accessories	Weight	UPC #	Ship Code	Size	Less Accessories	With Accessories	Weight
-------	-----------	------	------------------	------------------	--------	-------	-----------	------	------------------	------------------	--------

### MJxSWIVEL TEE (with Swivel Gland)

347606	N	6	\$517.00	\$577.00	145
347590	N	8x6	542.00	612.00	195
347583	N	8	617.00	687.00	210
347576	N	10x6	888.00	970.00	267
350644	N	12x6	926.00	1026.00	346
347569#	N	16x6	1668.00	1868.00	643
347552#	N	16x8	2255.00	2455.00	649
347545#	N	30x6	9432.00	10810.00	2070

### SWIVELxSWIVEL HYDRANT ELL (With Two Swivel Glands)

347538†	N	6	\$382.00	N/A	106
347521†	N	8	599.00	N/A	156

### SWIVELxSOLID HYDRANT ADAPTER (With Swivel Gland)

347507	N	4x13	\$254.00	N/A	61
347354†	N	6x12	301.00	N/A	84
347347†	N	6x18	372.00	N/A	91
347330†	N	6x24	432.00	N/A	105
347323	N	6x36	552.00	N/A	129
347316†	N	8x13	437.00	N/A	126
347293	N	12x13	665.00	N/A	173

### MJ CROSS

135258	N	14x8	\$1861.00	2105.00	550
135272	N	14	2507.00	2855.00	779
135296	N	16x6	2091.00	2351.00	650
135319	N	16x8	2433.00	2703.00	675
100966	N	16	2879.00	3279.00	895
347286	N	18x8	2349.00	2749.00	775
347279	N	18x10	2524.00	2936.00	760
347262	N	18x12	2698.00	3128.00	860
290025	N	18	3641.00	4301.00	1130
347255	N	20x8	2870.00	3356.00	951
347248	N	20x12	3091.00	3607.00	955
347231	N	20x16	4016.00	4632.00	1245
290032	N	20	4561.00	5393.00	1448
347224	N	24x8	4274.00	4830.00	1244
347217	N	24x12	4504.00	5090.00	1326
347200	N	24x16	4916.00	5602.00	1375
347194	N	24x20	6897.00	7799.00	1965
347187	N	24	7626.00	8598.00	2155
290049	N	30x6	10032.00	11470.00	2085
350682#	N	30x12	10134.00	11612.00	2165
347385#	N	30x24	14648.00	16512.00	3180
347378#	N	30	16545.00	19301.00	3640
134930	N	36	27670.00	30822.00	4370

### MJxFE CROSS

135517	N	16x8	\$2958.00	3158.00	655
100980	N	16	3792.00	3992.00	875

# Mfg. @ UFCO or Clow

### MJ WYE (Not included in AWWA C110)

371189	N	3	\$414.00	\$465.00	60
289609	N	4	402.00	462.00	90
289616	N	6x4	524.00	604.00	130
289623	N	6	584.00	674.00	145
289630	N	8x4	765.00	855.00	190
289647	N	8x6	826.00	926.00	205
289654	N	8	925.00	1030.00	230
333081	N	10x6	1348.00	1460.00	330
289678	N	10x8	1247.00	1364.00	310
289685	N	10	1750.00	1873.00	435
289715	N	12x8	2032.00	2167.00	505
289739	N	12	1973.00	2123.00	490
371236	N	14x6	3467.00	3671.00	626
371243	N	16	5975.00	6275.00	1079
289807	N	18x8	4137.00	4502.00	1073
347170	N	18x10	4291.00	4662.00	975
347163	N	18x12	4753.00	5133.00	1015
347149	N	18x16	4996.00	5426.00	1135
289814	N	18	5283.00	5778.00	1200
347132	N	20x10	5371.00	5828.00	1220
328797	N	20x12	5546.00	6012.00	1260
289821	N	20x16	6242.00	6758.00	1375
289838	N	20	7651.00	8275.00	1525
371274#	N	24	9553.00	10282.00	2372
244721	N	30	24677.00	26744.00	3670

### MJ OFFSET

347101	N	4x12	\$424.00	\$464.00	80
347095	N	4x18	517.00	557.00	100
348269	N	4x24	665.00	705.00	126
348252	N	6x6	522.00	582.00	114
348245	N	6x12	587.00	647.00	135
291565	N	6x18	683.00	743.00	165
291572	N	6x24	817.00	877.00	165
348238	N	8x6	732.00	802.00	160
291589	N	8x12	902.00	972.00	200
348221	N	8x18	993.00	1063.00	245
348214	S	8x24	1237.00	1307.00	280
348207	N	10x12	1251.00	1333.00	280
348191	N	10x18	1496.00	1578.00	340
348184	N	10x24	1775.00	1857.00	420
348160	N	12x12	1689.00	1789.00	420
348153	N	12x18	2049.00	2149.00	520
348146	N	12x24	2551.00	2651.00	640
348139	N	16x12	3792.00	3992.00	715
348122	N	16x18	4484.00	4684.00	850
348115	N	20x12	4482.00	4898.00	1025
348108	N	20x18	5563.00	5979.00	1275

# MJ FULL BODY BARE

## Tyler/Union D.I. C110 Mechanical Joint Fittings/Bare Castings

**LP-5041**

UPC # 670610	Ship Code	Size	Less Accessories	With Accessories	Weight	UPC # 670610	Ship Code	Size	Less Accessories	With Accessories	Weight
<b>MJxPE OFFSET</b>						<b>MJ REDUCER</b>					
291596	N	4x6	\$504.00	\$524.00	70	347965	N	3x2	\$128.00	\$158.00	25
348092	N	4x12	516.00	536.00	80	290087	N	4x2	112.00	145.00	30
348085	S	4x24	811.00	831.00	115	290094	N	4x3	124.00	161.00	40
291619	N	6x6	635.00	665.00	105	347958	N	6x2	170.00	213.00	45
291626	N	6x12	587.00	617.00	130	290100	N	6x3	152.00	199.00	55
291633	N	6x18	683.00	713.00	160	290117	S	6x4	172.00	222.00	60
291640	N	6x24	817.00	847.00	160	347941	N	8x3	237.00	289.00	75
348078	N	8x6	888.00	923.00	155	290124	S	8x4	222.00	277.00	84
291657	N	8x12	1096.00	1131.00	195	290131	N	8x6	251.00	316.00	95
291664	N	8x18	1208.00	1243.00	240	290155	N	10x6	307.00	378.00	115
348061	N	8x24	1502.00	1537.00	275	290162	N	10x8	364.00	440.00	142
348054	N	10x12	1522.00	1563.00	280	287759	N	12x4	362.00	432.00	139
348047	N	10x18	1820.00	1861.00	340	287766	N	12x6	403.00	483.00	148
348023	N	12x12	2053.00	2103.00	420	287773	S	12x8	430.00	515.00	173
348016	N	12x18	2492.00	2542.00	520	290179	N	12x10	507.00	598.00	194
348009	N	12x24	3103.00	3153.00	630	347934	N	16x6	766.00	896.00	250
347989	N	16x18	4484.00	4584.00	830	290216	N	16x8	828.00	963.00	288
<b>SOLID SLEEVE STANDARD SHORT</b>						<b>PE REDUCER</b>					
394198	N	2x8	\$101.00	\$127.00	13	290223	N	16x10	917.00	1058.00	300
291176	N	4x7½	124.00	164.00	35	290230	N	16x12	996.00	1146.00	330
102625	N	12x7½	415.00	515.00	102	290247	N	16x14	1134.00	1321.00	370
101727	N	16x9½	789.00	989.00	206	347927	N	18x8	1222.00	1422.00	320
101604	N	18x9½	1149.00	1479.00	246	347910	N	18x10	1348.00	1554.00	388
135333	N	20x9½	1293.00	1709.00	369	290254	N	18x12	1384.00	1599.00	380
135357	N	24x9½	1937.00	2423.00	360	290261	N	18x14	1446.00	1698.00	450
134459	N	30x15	2991.00	4369.00	745	290278	N	18x16	1499.00	1764.00	476
134497	N	36x15	4230.00	5806.00	1047	347903	N	20x10	1527.00	1776.00	410
<b>SOLID SLEEVE STANDARD LONG</b>						<b>PE REDUCER</b>					
101024	N	3x12	136.00	170.00	36	290285	N	20x12	1575.00	1833.00	515
102007	N	4x12	143.00	183.00	47	290308	N	20x16	1817.00	2125.00	578
291206	N	6x12	210.00	270.00	65	347897	N	20x18	2043.00	2416.00	575
291220	N	8x12	285.00	355.00	85	347880	N	24x12	2191.00	2484.00	610
291268	N	12x12	478.00	578.00	145	347873	N	24x16	2514.00	2857.00	705
291305	N	16x15	996.00	1196.00	275	347866	N	24x18	2686.00	3094.00	789
101628	N	18x15	1440.00	1770.00	362	347859	N	24x20	2891.00	3342.00	815
327400	N	20x15	1605.00	2021.00	404	290315#	N	30x16	3852.00	4641.00	1150
328858	N	24x15	2084.00	2570.00	540	347842#	N	30x18	4014.00	4868.00	1160
134510	N	30x24	4655.00	6033.00	1085	347835#	N	30x20	4278.00	5175.00	1225
134534	N	36x24	6623.00	8199.00	1502	347828#	N	30x24	4792.00	5724.00	1360
<b>SOLID SLEEVE DUAL PURPOSE SHORT</b>						<b>PE REDUCER</b>					
<b>Body Only</b>						<b>PE REDUCER</b>					
100720	N	4	\$179.00	N/A	33	101987	N	6x4	\$186.00	N/A	57
100744	N	6	213.00	N/A	46	102601	N	8x6	287.00	N/A	96
100805	N	8	290.00	N/A	65	102120	N	30x16	5435.00	N/A	1015
<b>SOLID SLEEVE DUAL PURPOSE LONG</b>						<b>PE REDUCER</b>					
<b>Body Only</b>						<b>PE REDUCER</b>					
100768	N	4	\$209.00	N/A	44	135396	N	30x18	5629.00	N/A	1025
100782	N	6	272.00	N/A	63	102144	N	30x20	5991.00	N/A	1090
100829	N	8	351.00	N/A	90	135418	N	30x24	6676.00	N/A	1215
100843	N	10	473.00	N/A	115	134992	N	36x24	10109.00	N/A	1389
349259	N	12	774.00	N/A	221	135012	N	36x30	11534.00	N/A	1585

# MJ FULL BODY BARE

## LP-5041 Tyler/Union D.I. C110 Mechanical Joint Fittings/Bare Castings

UPC #	Ship Code	Size	Less Accessories	With Accessories	Weight	UPC #	Ship Code	Size	Less Accessories	With Accessories	Weight
-------	-----------	------	------------------	------------------	--------	-------	-----------	------	------------------	------------------	--------

### SMALL END BELL (SEB) REDUCER

101864	N	4x2	\$126.00	\$139.00	29
290322	N	4x3	136.00	153.00	35
290346	N	6x4	193.00	213.00	60
290360	N	8x4	255.00	275.00	82
101826	N	8x6	282.00	312.00	90
290407	N	10x8	354.00	389.00	130
290438	N	12x8	442.00	477.00	168
065050	N	12x10	524.00	565.00	190
101642	N	16x8	877.00	912.00	250
101666	N	16x12	1224.00	1274.00	311
101383	N	18x12	1359.00	1409.00	355
290568	N	20x12	1890.00	1940.00	410
101406	N	20x16	2178.00	2278.00	500
101420	N	24x12	2515.00	2565.00	570
101444	N	24x16	2546.00	2646.00	665
101468	N	24x18	3039.00	3204.00	720
101482	N	24x20	3318.00	3526.00	775
135456	N	30x16	4915.00	5015.00	1040
102168	N	30x18	4485.00	4650.00	1050
135432	N	30x20	5471.00	5679.00	1120
135470	N	30x24	6146.00	6389.00	1255
135036	N	36x30	11174.00	11863.00	1721

### LARGE END BELL (LEB) REDUCER

101307	N	16x12	\$1445.00	\$1545.00	330
101321	N	20x16	2698.00	2906.00	510
101345	N	24x16	3872.00	4115.00	685
101369	N	24x20	3757.00	4000.00	804
135494	N	30x24	6829.00	7518.00	1320
135050	N	36x20	9941.00	10729.00	1466
135074	N	36x24	10809.00	11597.00	1535

### MJxFE REDUCER

066798	N	4x3	\$200.00	\$220.00	35
101888	N	6x3	232.00	262.00	50
101840	N	10x8	480.00	521.00	130
101680	N	14x6	904.00	991.00	195
101901	N	16x12	1421.00	1521.00	325
101505	N	18x8	1436.00	1601.00	300
101529	N	18x12	1723.00	1888.00	360
101543	N	18x16	2128.00	2293.00	445
101567	N	20x16	2633.00	2841.00	510

### MJxFE ADAPTER 8" Laying Length

347811	N	3	\$200.00	\$217.00	30
291534	N	4	150.00	170.00	42
291541	N	6	217.00	247.00	62
347804	N	8	292.00	327.00	88
347798	N	10	377.00	418.00	120
347781	N	12	452.00	502.00	150
347774	S	16	1183.00	1283.00	260
347767	S	18	1541.00	1706.00	305
347750	N	20	1607.00	1815.00	382
347743	N	24	2491.00	2734.00	495

### MJxFE ADAPTER 10" Laying Length

347736	N	30	\$6760.00	\$7449.00	760
102793	N	36	6978.00	7766.00	1070

### PLUG SOLID

102731	N	4	\$52.00	N/A	13
102755	N	6	72.00	N/A	15
102762	N	8	120.00	N/A	45
102779	N	10	160.00	N/A	66
048169	N	12	212.00	N/A	93
102748	N	16	526.00	N/A	147
101260	N	18	698.00	N/A	192
291428	N	20	778.00	N/A	215
101284	N	24	1329.00	N/A	338
120285	N	30	2397.00	N/A	660
349082	N	36	3928.00	N/A	838

### PLUG TAPPED (2-inch IPT Only)

101246	N	20x2	\$1093.00	N/A	219
349228	N	36x2	4268.00	N/A	838

### TYTON PLUGS/SOLID with set screws

349099	N	4	\$88.00	N/A	18
349105	N	6	141.00	N/A	25
349112	N	8	221.00	N/A	46
349129	N	10	309.00	N/A	70
349136	N	12	416.00	N/A	95

### TYTON PLUGS/TAPPED (2-inch IPT)

#### with set screws

349143	N	4	\$129.00	N/A	18
349150	N	6	183.00	N/A	25
349167	N	8	268.00	N/A	46
349174	N	10	355.00	N/A	70
349181	N	12	493.00	N/A	95

**NOTE - For Tapped Tees, Plugs and Caps Only:** We stock 2" IPT Taps only. For all tap sizes other than 2" IPT up to a 4" maximum a \$75.00 **NET CHARGE** will be added to the corresponding 2" tapped fitting cost. Special tapped fittings are non-cancellable and non-returnable. Contact CSR for details

# MJ FULL BODY BARE

## Tyler/Union D.I. C110 Mechanical Joint Fittings/Bare Castings

**LP-5041**

UPC # 670610	Ship Code	Size	Less Accessories	With Accessories	Weight	UPC # 670610	Ship Code	Size	Less Accessories	With Accessories	Weight
-----------------	--------------	------	---------------------	---------------------	--------	-----------------	--------------	------	---------------------	---------------------	--------

### **CAP SOLID**

102700	N	10	\$149.00	\$190.00	58
291497	N	12	185.00	235.00	86
291268	N	16	548.00	648.00	178
291503	N	18	785.00	950.00	215
132134	N	20	971.00	1179.00	250
101000	N	24	1590.00	1833.00	370
052173	N	30	2662.00	3351.00	680
349235	N	36	4299.00	5087.00	850

### **CAP TAPPED (2-inch IPT)**

100867	N	16x2	585.00	685.00	155
100881	N	18x2	902.00	1067.00	222
100904	N	20x2	1089.00	1297.00	249
100928	N	24x2	1708.00	1951.00	375
102106	N	30x2	2740.00	3429.00	680
349242	N	36x2	4458.00	5246.00	850

**NOTE - For Tapped Tees, Plugs and Caps Only:** We stock 2" IPT Taps only. For all tap sizes other than 2" IPT up to a 4" maximum a \$75.00 **NET CHARGE** will be added to the corresponding 2" tapped fitting cost. Special tapped fittings are non-cancellable and non-returnable. Contact CSR for details

# FLANGED FULL BODY BARE

**LP-5041**

## Tyler/Union Ductile Iron C110 Flanged Fittings/Bare Castings

UPC # 670610	Ship Code	Size	List Price	Weight	UPC # 670610	Ship Code	Size	List Price	Weight
<b>90° (1/4) BEND FLANGED</b>					<b>90° (1/4) REDUCING BASE BEND FLANGED With Base Under Small End</b>				
382904#	N	2	\$61.00	14	294863	N	4x3	\$354.00	45
294665	S	3	62.00	25	294894	N	6x4	488.00	75
287933	S	4	93.00	45	341666	N	8x4	604.00	115
287803	S	6	142.00	65	294931	N	8x6	613.00	130
287902	S	8	225.00	105	341673	N	10x6	974.00	170
287957	S	10	414.00	165	341697	N	10x8	980.00	195
294740	S	12	592.00	235	344155	N	12x6	1562.00	230
294757#	N	14	1079.00	387	344162	N	12x8	1578.00	255
287483	N	16	1457.00	474	341680	N	12x10	1596.00	285
294764	N	18	2324.00	527	<b>45° (1/8) BEND FLANGED</b>				
294771	S	20	3035.00	878	295235	S	3	\$72.00	20
294788	S	24	4785.00	1085	295242	S	4	95.00	40
294795#	N	30	7229.00	1755	287780	S	6	138.00	55
<b>90° (1/4) BASE BEND FLANGED</b>					287667	S	8	204.00	91
294832	N	3	\$239.00	38	287797	S	10	379.00	130
294849	S	4	276.00	55	295259	S	12	555.00	195
294870	S	6	384.00	85	295266#	N	14	1065.00	245
294900	S	8	490.00	141	295273#	N	16	1461.00	315
294948	S	10	714.00	203	295280	N	18	1671.00	422
294955	S	12	980.00	303	295297	N	20	2138.00	485
294962#	N	14	1368.00	400	341833	N	24	3148.00	541
294979#	N	16	1820.00	505	341840#	N	30	5493.00	1335
294986	N	18	2704.00	645	<b>22½° (1/16) BEND FLANGED</b>				
294993	N	20	3363.00	805	295303	S	3	\$83.00	22
295006	N	24	4916.00	1215	295310	S	4	105.00	40
341604	N	30	7128.00	1945	287582	S	6	148.00	58
<b>90° (1/4) REDUCING BEND FLANGED</b>					295327	S	8	223.00	88
294672	S	4x3	\$121.00	35	295334	N	10	416.00	130
294689	S	6x4	188.00	58	341802	N	12	628.00	195
294696	S	8x4	276.00	75	295341#	N	14	1080.00	250
287599	S	8x6	277.00	90	295358#	N	16	1549.00	417
294702	N	10x6	567.00	126	341826	N	18	1707.00	402
294719	S	10x8	575.00	150	341819#	N	20	2221.00	505
294726	N	12x6	925.00	165	295365	N	24	3273.00	528
287735	N	12x8	1012.00	191	247395	N	30	5557.00	1385
294733	N	12x10	1028.00	218	<b>11¼° (1/32) BEND FLANGED</b>				
<b>90° (1/4) REDUCING BASE BEND FLANGED With Base Under Large End</b>					297680	N	3	\$83.00	20
294856	N	4x3	\$354.00	43	341796	N	4	105.00	40
294887	N	6x4	488.00	75	295372	N	6	150.00	56
294917	N	8x4	604.00	115	295389	N	8	237.00	88
294924	N	8x6	613.00	130	295396	N	10	437.00	130
341611	N	10x6	974.00	175	295402	N	12	628.00	193
341628	N	10x8	980.00	196	341789#	N	14	1111.00	225
341635	N	12x6	1562.00	230	295419#	N	16	1510.00	398
341642	N	12x8	1578.00	255	341772	N	18	1724.00	385
341659	N	12x10	1596.00	285	341864#	N	20	2245.00	505
					341765	N	24	3343.00	760
					343349	N	30	5579.00	1395

S = From Stock to 2 weeks

N = Non-Stock; Check for availability.

# Mfg. @ UFCO or Clow



# FLANGED FULL BODY BARE

**LP-5041**

## Tyler/Union Ductile Iron C110 Flanged Fittings/Bare Castings

UPC #	Ship Code	Size	List Price	Weight	UPC #	Ship Code	Size	List Price	Weight
670610					670610				
<b>TEE FLANGED (Con't)</b>					<b>BASE TEE, FLANGED</b>				
295532#	N	14x4	\$2150.00	405	295877	N	3	\$295.00	50
295549#	N	14x6	1791.00	530	295884	N	4	347.00	70
295556#	N	14x8	1800.00	435	295914	S	6	476.00	115
295563#	N	14x10	1811.00	550	295921	S	8	667.00	155
295570#	N	14x12	1848.00	470	341703	N	10	933.00	315
295587#	N	14	1746.00	602	295945	N	12	1330.00	450
342861	N	16x4	2480.00	500	341710#	N	14	2039.00	550
295594#	N	16x6	2555.00	540	295952#	N	16	2786.00	685
295600#	N	16x8	2561.00	620	341727	N	18	3917.00	900
342854#	N	16x10	2563.00	565	341734	N	20	4860.00	1125
295617#	N	16x12	2566.00	634	341598	N	24	7374.00	1715
316640#	N	16x14	2571.00	610	<b>CROSS FLANGED</b>				
287575#	N	16	2482.00	675	296188	N	3	\$147.00	51
343219	N	18x6	2566.00	560	343264	N	4x3	248.00	76
343202	N	18x8	2603.00	570	296195	S	4	254.00	80
343196	N	18x10	2676.00	585	296201	N	6x3	375.00	95
345091	N	18x12	2772.00	605	296218	N	6x4	376.00	112
295624	N	18x14	3390.00	740	287940	S	6	374.00	125
295631	N	18x16	3479.00	760	343271	N	8x3	583.00	140
295648	N	18	3492.00	785	296225	N	8x4	578.00	155
316633	N	20x6	3245.00	710	296232	S	8x6	583.00	165
316626	N	20x8	3290.00	720	296249	S	8	583.00	203
343011	N	20x10	3366.00	735	343288#	N	10x4	968.00	220
343189	N	20x12	3445.00	755	296256	N	10x6	977.00	242
295655	N	20x14	3527.00	770	343295	N	10x8	970.00	265
295662	N	20x16	4355.00	950	296263	N	10	1080.00	333
382690#	N	20x18	4199.00	965	296270#	N	12x4	1387.00	310
295679	N	20	4342.00	1005	343301	N	12x6	1404.00	326
343172	N	24x6	4584.00	1000	296287	<b>S</b>	12x8	1352.00	351
295686	N	24x8	4627.00	1010	296294#	N	12x10	1562.00	415
343165	N	24x10	4675.00	1020	296300	<b>S</b>	12	1523.00	460
295693	N	24x12	4590.00	1125	343318	N	14x6	1978.00	450
295709	N	24x14	4810.00	1050	296317	N	14x8	1999.00	475
343158	N	24x16	4907.00	1070	296324#	N	14x12	2073.00	555
316749	N	24x18	6742.00	1534	347088#	N	14	1941.00	712
344933	N	24x20	6916.00	1510	343325	N	16x6	2787.00	565
295716	N	24	7017.00	1685	343028#	N	16x8	2798.00	713
343226	N	30x6	8005.00	1725	343035#	N	16x10	2805.00	748
343233#	N	30x12	8079.00	1780	343332#	N	16x12	2815.00	818
343240#	N	30x18	8246.00	1815	287568#	N	16	2692.00	806
316657	N	30x24	11236.00	2475	343042	N	18x12	2918.00	706
295723#	N	30	11820.00	2615	344964	N	18	4057.00	915

# Mfg. @ UFCO or Clow

S = From Stock to 2 weeks      N = Non-Stock; Check for availability.

# FLANGED FULL BODY BARE

## Tyler/Union Ductile Iron C110 Flanged Fittings/Bare Castings

**LP-5041**

UPC #	Ship Code	Size	List Price	Weight	UPC #	Ship Code	Size	List Price	Weight
670610					670610				
<b>ECCENTRIC REDUCER FLANGED</b>					<b>CONCENTRIC REDUCER FLANGED (Con't)</b>				
296607	N	4x3	\$140.00	30	345084#	N	16x14	\$1712.00	377
296614	N	6x3	197.00	45	344209	N	18x8	2193.00	265
296621	S	6x4	196.00	52	296522	N	18x10	2203.00	290
296638	S	8x4	257.00	66	344193	N	18x12	2204.00	320
287834	S	8x6	263.00	80	296539	N	18x14	2210.00	350
296645	S	10x6	443.00	98	316756	N	18x16	2201.00	405
296652	S	10x8	449.00	123	296546	N	20x10	2682.00	418
296669	N	12x6	736.00	135	344186	N	20x12	2683.00	465
296676	S	12x8	740.00	149	296553	N	20x14	2696.00	430
296683	S	12x10	743.00	170	344179	N	20x16	2697.00	445
296690#	N	16x6	1709.00	245	344445	N	20x18	2707.00	470
296706#	N	16x8	1718.00	230	296560	N	24x12	3966.00	608
296713#	N	16x10	1728.00	255	296577	N	24x14	3973.00	565
296720#	N	16x12	1742.00	332	287551	N	24x16	3848.00	610
296737#	N	16x14	1752.00	377	296584	N	24x18	3986.00	645
344261	N	18x8	2204.00	310	296591	N	24x20	3982.00	756
296744	N	18x10	2214.00	305	345060	N	30x16	6518.00	945
296751	N	18x12	2492.00	325	344452	N	30x18	6049.00	970
296768	N	18x14	2498.00	335	344308	N	30x20	6053.00	1144
344278	N	18x16	2255.00	335	344315#	N	30x24	6068.00	1155
344285	N	20x10	2695.00	350	<b>FLANGE SLUDGE SHOE</b>				
296775	N	20x12	2710.00	370	344322	N	3	\$296.00	28
344292	N	20x14	3045.00	402	344339	N	4	328.00	35
344438	N	20x16	2738.00	449	344346	N	6	366.00	45
344469	N	20x18	2751.00	455	297468	N	8	422.00	65
296782	N	24x12	3998.00	601	344353	N	10	496.00	88
296799	N	24x14	4014.00	570	<b>FLANGE TRUE WYE</b>				
296805	N	24x16	4030.00	614	296157	S	4x4x4	\$315.00	49
344476	N	24x18	4045.00	645	344377	N	6x4x4	393.00	75
344483	N	24x20	4068.00	695	296164	S	6x6x6	527.00	84
<b>CONCENTRIC REDUCER FLANGED</b>					344384	N	8x6x6	686.00	134
296348	N	3x2	\$98.00	16	296171	S	8x8x8	786.00	144
296355	N	4x2	134.00	25	<b>FLANGExFLARE 90° ELL</b>				
287995	S	4x3	134.00	30	344391	N	3	\$218.00	25
296362	N	6x2	222.00	36	295167	N	4	284.00	40
296379	S	6x3	193.00	40	295174	N	6	332.00	70
296386	S	6x4	190.00	45	295181	S	8	552.00	118
296393	S	6x5	248.00	56	295198	S	10	765.00	175
296409	N	8x3	287.00	61	295204	N	12	971.00	245
287926	S	8x4	243.00	65	344407#	N	14	1783.00	450
296416	S	8x5	305.00	78	295211#	N	16	2222.00	700
287643	S	8x6	247.00	76	295228	N	18	3278.00	685
296423	S	10x4	441.00	98	345077	N	20	3857.00	860
296430	S	10x6	428.00	94	344414	N	24	5679.00	1195
296447	S	10x8	430.00	110	<b>FLANGExFLARE PIECE</b>				
344254	S	12x4	665.00	119	297383	N	3	\$236.00	20
296454	S	12x6	650.00	130	297390	S	4	254.00	44
296461	S	12x8	717.00	145	297406	N	6	285.00	44
296478	S	12x10	727.00	178	287636	N	8	365.00	75
344247#	N	14x6	1254.00	165	297413	N	10	445.00	108
344230#	N	14x8	1270.00	185	297420	N	12	650.00	154
296485#	N	14x10	1271.00	205	297437#	N	14	858.00	190
296492#	N	14x12	1275.00	294	316602#	N	16	1217.00	294
344223#	N	16x6	1654.00	245	344421	N	18	1580.00	355
296508#	N	16x8	1668.00	230	297444	N	20	2127.00	465
344216#	N	16x10	1673.00	255	297451	N	24	2374.00	635
296515#	N	16x12	1677.00	285					

# Mfg. @ UFCO or Clow

# MJ COMPACT DOUBLE CEMENT LINED

## LP-5041

## Tyler/Union C153 MJ Fittings/Double Cement Lined

UPC #	Ship Code	Size	With DCL	With Access & DCL	Weight	UPC #	Ship Code	Size	With DCL	With Access & DCL	Weight
670610						670610					
<b>90° (1/4) MJ BEND</b>						<b>90° (1/4) MJxPE BEND</b>					
337270	N	3	\$52.00	\$88.00	20	337386	N	3	\$66.00	\$84.00	20
337287	S	4	60.00	96.00	26	337393	N	4	74.00	92.00	26
337294	S	6	96.00	142.00	48	337409	N	6	118.00	141.00	45
337300	S	8	149.00	203.00	68	337416	N	8	173.00	200.00	65
337317	N	10	234.00	306.00	102	337423	N	10	282.00	318.00	108
337324	S	12	301.00	379.00	141	337430	N	12	357.00	396.00	135
337331	N	14	687.00	843.00	220	337447	N	14	821.00	899.00	220
337348	N	16	784.00	962.00	264	337454	N	16	949.00	1038.00	254
337355	N	18	1501.00	1845.00	411						
337362	N	20	1728.00	2092.00	505	<b>45° (1/8) MJxPE BEND</b>					
337379	N	24	2685.00	3079.00	695	337706	N	3	\$65.00	\$83.00	16
120216	N	30	5045.00	5991.00	1139	337713	N	4	72.00	90.00	22
<b>45° (1/8) MJ BEND</b>						337720	N	6	99.00	122.00	37
337591	N	3	\$48.00	\$84.00	16	337737	N	8	146.00	173.00	55
337607	N	4	55.00	91.00	22	337744	N	10	223.00	259.00	78
337614	S	6	84.00	130.00	38	337751	N	12	282.00	321.00	104
337621	S	8	130.00	184.00	56	337768	N	14	612.00	690.00	153
337638	S	10	180.00	252.00	81	337775	N	16	760.00	849.00	201
337645	S	12	246.00	324.00	111	<b>22½° (1/16) MJxPE BEND</b>					
337652	N	14	517.00	673.00	164	337928	N	3	\$66.00	\$84.00	16
337669	N	16	602.00	780.00	202	337935	N	4	73.00	91.00	20
337676	N	18	1111.00	1455.00	292	337942	N	6	99.00	122.00	33
337683	N	20	1346.00	1710.00	348	337959	N	8	146.00	173.00	55
337690	N	24	1976.00	2370.00	475	337966	N	10	227.00	263.00	66
120247	N	30	4004.00	4950.00	780	337973	N	12	287.00	326.00	89
<b>22½° (1/16) MJ BEND</b>						337980	N	14	623.00	701.00	152
337812	N	3	\$50.00	\$86.00	16	337997	N	16	791.00	880.00	181
337829	N	4	55.00	91.00	21	<b>11¼° (1/32) MJxPE BEND</b>					
337836	N	6	86.00	132.00	37	338147	N	3	\$68.00	\$86.00	15
337843	N	8	133.00	187.00	51	338154	N	4	75.00	93.00	20
337850	S	10	183.00	255.00	67	338161	N	6	102.00	125.00	32
337867	N	12	249.00	327.00	80	338178	N	8	151.00	178.00	44
337874	N	14	533.00	689.00	148	338185	N	10	236.00	272.00	60
337881	N	16	602.00	780.00	179	338192	N	12	298.00	337.00	79
337898#	N	18	1123.00	1467.00	292	338208	N	14	623.00	701.00	133
337904	N	20	1451.00	1815.00	364	338215	N	16	791.00	880.00	161
337911	N	24	2086.00	2480.00	460	<b>90° (1/4) MJxFE BEND</b>					
120278	N	30	4147.00	5093.00	664	337492	N	3	\$93.00	\$111.00	21
<b>11¼° (1/32) MJ BEND</b>						337508	N	4	102.00	120.00	28
338031	N	3	\$52.00	\$88.00	15	337515	N	6	146.00	169.00	46
338048	N	4	61.00	97.00	20	337522	N	8	226.00	253.00	73
338055	S	6	86.00	132.00	33	337539	N	10	335.00	371.00	113
338062	N	8	135.00	189.00	48	337546	N	12	421.00	460.00	155
338079	N	10	185.00	257.00	61	337553	N	14	954.00	1032.00	227
338086	N	12	252.00	330.00	79	337560	N	16	1050.00	1139.00	278
338093	N	14	528.00	684.00	136						
338109	N	16	641.00	819.00	159						
338116#	N	18	1136.00	1480.00	292						
338123#	N	20	1322.00	1686.00	377						
338130	N	24	1963.00	2357.00	485						

# Mfg. @ UFCO or Clow

S = From Stock to 2 weeks    N = Non-Stock; Check for availability.    All weights exclude accessories.

# MJ COMPACT DOUBLE CEMENT LINED

## Tyler/Union C153 MJ Fittings/Double Cement Lined

LP-5041

UPC # 670610	Ship Code	Size	With DCL	With Access & DCL	Weight	UPC # 670610	Ship Code	Size	With DCL	With Access & DCL	Weight
<b>MJ WYE (Not included in AWWA C153)</b>						<b>MJ TEE</b>					
339403	N	3	\$183.00	\$237.00	37	338253	N	3	\$73.00	\$127.00	26
339410	N	4x3	193.00	247.00	39	338260	N	4x3	92.00	146.00	35
339427	N	4	201.00	255.00	45	338277	N	4	90.00	144.00	35
339434	N	6x4	242.00	306.00	67	338284	N	6x3	115.00	179.00	51
339441	N	6	249.00	318.00	93	338291	N	6x4	120.00	184.00	52
339458	N	8x4	332.00	404.00	93	338307	N	6	130.00	199.00	60
339465	N	8x6	338.00	415.00	113	338314	N	8x3	178.00	250.00	68
339472	N	8	372.00	453.00	136	338321	N	8x4	170.00	242.00	71
339489	N	10x4	648.00	738.00	118	338338	N	8x6	185.00	262.00	79
339496	N	10x6	651.00	746.00	129	338345	N	8	201.00	282.00	90
339502	N	10x8	680.00	779.00	170	338352	N	10x3	247.00	337.00	80
339519	N	10	701.00	809.00	188	338369	N	10x4	246.00	336.00	82
339526	N	12x4	805.00	901.00	150	338376	N	10x6	255.00	350.00	99
339533	N	12x6	821.00	922.00	186	338383	N	10x8	263.00	362.00	116
339540	N	12x8	874.00	979.00	188	338390	N	10	301.00	409.00	120
339557	N	12x10	1046.00	1160.00	223	338406	N	12x3	312.00	408.00	99
339564	N	12	1051.00	1168.00	272	338413	N	12x4	313.00	409.00	108
339618	N	14	2393.00	2627.00	465	338420	N	12x6	315.00	416.00	115
339625	N	16x6	1957.00	2158.00	300	338437	N	12x8	329.00	434.00	126
339632	N	16x8	2072.00	2277.00	350	338444	N	12x10	391.00	505.00	159
339656	N	16x12	2278.00	2495.00	465	338451	N	12	410.00	527.00	166
339670	N	16	2982.00	3249.00	575	338468	N	14x6	680.00	859.00	183
<b>MJxFE ADAPTER (6" Laying Length)</b>						338475	N	14x8	876.00	1059.00	211
340324	N	3	\$86.00	\$104.00	18	338482	N	14x10	1099.00	1291.00	229
340331	N	4	92.00	110.00	24	338499	N	14x12	967.00	1162.00	235
340348	N	6	98.00	121.00	36	338505	N	14	1021.00	1255.00	281
340355	N	8	132.00	159.00	52	338512	N	16x6	890.00	1091.00	229
340362	N	10	164.00	200.00	67	338529	N	16x8	902.00	1107.00	245
340379	N	12	192.00	231.00	80	338536	N	16x10	1020.00	1234.00	265
340386	N	14	412.00	490.00	127	338543	N	16x12	942.00	1159.00	281
340393	N	16	498.00	587.00	155	338550	N	16x14	1157.00	1413.00	317
<b>FExPE ADAPTER (12" Laying Length)</b>						338567	N	16	1073.00	1340.00	323
340416	N	4	\$71.00	N/A	23	338574	N	18x6	1629.00	1996.00	275
340423	N	6	100.00	N/A	35	338581	N	18x8	1687.00	2058.00	280
340430	N	8	152.00	N/A	50	338598#	N	18x10	2066.00	2446.00	301
340447#	N	10	234.00	N/A	69	338604	N	18x12	1901.00	2284.00	372
340454#	N	12	299.00	N/A	88	338611	N	18x14	2223.00	2645.00	415
340478#	N	16	553.00	N/A	149	338628	N	18x16	2049.00	2482.00	476
# Mfg. @ UFCO or Clow						338635	N	18	2334.00	2850.00	490
						338642	N	20x6	1636.00	2023.00	335
						338659	N	20x8	1648.00	2039.00	383
						338666	N	20x10	2365.00	2765.00	410
						338673	N	20x12	1925.00	2328.00	432
						338680	N	20x14	2327.00	2769.00	514
						338697	N	20x16	2197.00	2650.00	553
						338703	N	20x18	2747.00	3283.00	560
						338710	N	20	2493.00	3039.00	605
						338727	N	24x6	2371.00	2788.00	454
						338734	N	24x8	2728.00	3149.00	475
						338741	N	24x10	2924.00	3354.00	505
						338758	N	24x12	2753.00	3186.00	545
						338765	N	24x14	3561.00	4033.00	585
						338772	N	24x16	2901.00	3384.00	625
						338789	N	24x18	4473.00	5039.00	721
						338796	N	24x20	3728.00	4304.00	740
						338802	N	24	3678.00	4269.00	830
						100263	N	30x6	3432.00	4401.00	717

# MJ COMPACT DOUBLE CEMENT LINED

**LP-5041**

**Tyler/Union C153 MJ Fittings/Double Cement Lined**

UPC # 670610	Ship Code	Size	With DCL	With Access & DCL	Weight	UPC # 670610	Ship Code	Size	With DCL	With Access & DCL	Weight
<b>MJxFE TEE</b>						<b>MJ REDUCER</b>					
338819	N	3	\$103.00	\$139.00	29	339960	N	4x3	\$53.00	\$89.00	18
338826	N	4x3	104.00	140.00	34	339977	N	6x3	66.00	107.00	28
338833	N	4	120.00	156.00	38	339984	N	6x4	65.00	106.00	27
338840	N	6x3	174.00	220.00	54	339991	N	8x4	93.00	138.00	36
338857	N	6x4	188.00	234.00	57	340003	N	8x6	101.00	151.00	40
338864	N	6	192.00	238.00	64	340010	N	10x4	120.00	174.00	53
338888	N	8x4	254.00	308.00	82	340027	N	10x6	122.00	181.00	59
338895	N	8x6	265.00	319.00	83	340034	N	10x8	136.00	199.00	54
338901	N	8	282.00	336.00	101	340041	N	12x4	162.00	219.00	67
338925	N	10x4	359.00	431.00	92	340058	N	12x6	162.00	224.00	67
338932	N	10x6	361.00	433.00	116	340065	N	12x8	178.00	244.00	64
338949	N	10x8	386.00	458.00	128	340072	N	12x10	193.00	268.00	78
338956	N	10	442.00	514.00	144	340089	N	14x6	366.00	467.00	104
338970	N	12x4	441.00	519.00	118	340096	N	14x8	366.00	471.00	104
338987	N	12x6	443.00	521.00	133	340102	N	14x10	349.00	463.00	100
338994	N	12x8	465.00	543.00	146	340119	N	14x12	403.00	520.00	97
339007	N	12x10	551.00	629.00	174	340126	N	16x6	412.00	524.00	132
339014	N	12	567.00	645.00	198	340133	N	16x8	423.00	539.00	136
339021	N	14x6	860.00	1016.00	205	340140	N	16x10	458.00	583.00	128
339045	N	14x10	1145.00	1301.00	244	340157	N	16x12	464.00	592.00	122
339052	N	14x12	1237.00	1393.00	276	340164	N	16x14	567.00	734.00	140
339069	N	14	1438.00	1594.00	302	340171	N	18x8	885.00	1084.00	190
339076	N	16x6	1092.00	1270.00	213	340188	N	18x10	1133.00	1341.00	196
339083	N	16x8	1121.00	1299.00	260	340195	N	18x12	999.00	1210.00	185
339090	N	16x10	1196.00	1374.00	281	340201	N	18x14	1041.00	1291.00	197
339106	N	16x12	1201.00	1379.00	304	340218	N	18x16	987.00	1248.00	196
339113	N	16x14	1611.00	1789.00	357	340225#	N	20x10	1123.00	1341.00	225
339120	N	16	1866.00	2044.00	374	340232#	N	20x12	1125.00	1346.00	210
339137	N	18x6	1712.00	2056.00	261	340249#	N	20x14	1546.00	1806.00	208
339144	N	20x6	2407.00	2771.00	372	340256#	N	20x16	1322.00	1593.00	238
339151	N	24x6	2901.00	3295.00	460	340263#	N	20x18	1560.00	1914.00	250
373278#	N	24x12	5268.00	5662.00	580	340270	N	24x12	1543.00	1779.00	327
373285#	N	24x16	6139.00	6533.00	744	340287	N	24x14	2015.00	2290.00	315
						340294	N	24x16	1728.00	2014.00	324
						340300	N	24x18	1812.00	2181.00	328
						340317	N	24x20	1851.00	2230.00	334
<b>MJxSWIVEL TEE</b>											
<b>With Swivel Gland</b>											
339168	N	6	\$208.00	\$254.00	78						
339175	N	8x6	255.00	309.00	95						
339182	N	8	299.00	353.00	116						
339199	N	10x6	362.00	434.00	111						
339205	N	10x8	422.00	494.00	138						
339212	N	12x6	442.00	520.00	132						
339229	N	12x8	514.00	592.00	149						
339236	N	14x6	865.00	1021.00	211						
339243	N	16x6	967.00	1145.00	248						
339250	N	18x6	1913.00	2257.00	330						
339267	N	20x6	1802.00	2166.00	391						
339274	N	24x6	2789.00	3183.00	478						

# Mfg. @ UFCO or Clow

S = From Stock to 2 weeks      N = Non-Stock; Check for availability.      All weights exclude accessories.

# MJ COMPACT DOUBLE CEMENT LINED

## Tyler/Union C153 MJ Fittings/Double Cement Lined

LP-5041

UPC #	Ship Code	Size	With DCL	With Access & DCL	Weight	UPC #	Ship Code	Size	With DCL	With Access & DCL	Weight
-------	-----------	------	----------	-------------------	--------	-------	-----------	------	----------	-------------------	--------

### MJ CROSS

339687	N	3	\$112.00	\$184.00	31
339694	N	4x3	128.00	200.00	39
339700	N	4	137.00	209.00	45
339717	N	6x4	170.00	252.00	62
339724	N	6	197.00	289.00	80
339731	N	8x4	218.00	308.00	84
339748	N	8x6	260.00	360.00	108
339755	N	8	289.00	397.00	120
339762	N	10x4	301.00	409.00	98
339779	N	10x6	333.00	451.00	121
339786	N	10x8	363.00	489.00	138
339793	N	10	429.00	573.00	156
339809	N	12x4	393.00	507.00	119
339816	N	12x6	425.00	549.00	138
339823	N	12x8	448.00	580.00	162
339830	N	12x10	533.00	683.00	187
339847	N	12	558.00	714.00	212
339854	N	14x6	1313.00	1515.00	210
339861	N	14x8	1353.00	1563.00	231
339878	N	14x10	1374.00	1602.00	255
339885	N	14x12	1459.00	1693.00	269
339892	N	14	1565.00	1877.00	344
339908	N	16x6	1625.00	1849.00	246
339915	N	16x8	1455.00	1687.00	261
339922	N	16x10	1565.00	1815.00	296
339939	N	16x12	1591.00	1847.00	310
339953	N	16	1884.00	2240.00	410

### SWIVELxSOLID HYDRANT ADAPTER

#### With Swivel Gland

340515	N	6x13	\$143.00	N/A	52
340522	N	6x18	180.00	N/A	59
340539	N	6x24	217.00	N/A	75

### SWIVELxSWIVEL HYDRANT ELL

#### With Two Swivel Glands

337577	N	6	\$197.00	N/A	74
--------	---	---	----------	-----	----

# Mfg. @ UFCO or Clow

S = From Stock to 2 weeks    N = Non-Stock; Check for availability.    All weights exclude accessories.

# MJ FULL BODY DOUBLE CEMENT LINED

## LP-5041

## Tyler/Union D.I. C110 MJ Fittings/Double Cement Lined

UPC # 670610	Ship Code	Size	Less Accessories	With Accessories	Weight	UPC # 670610	Ship Code	Size	Less Accessories	With Accessories	Weight
<b>90° (1/4) MJ BEND</b>						<b>MJ TEE</b>					
334729	N	3	\$104.00	\$138.00	35	335252	N	3	\$172.00	\$223.00	58
334736	N	4	160.00	200.00	55	335269	N	4x3	214.00	271.00	77
334743	N	6	215.00	275.00	85	335276	N	4	241.00	301.00	78
334750	N	8	312.00	382.00	125	335283	N	6x3	291.00	368.00	110
334767	N	10	477.00	559.00	190	335290	N	6x4	309.00	389.00	115
334774	N	12	628.00	728.00	255	335306	N	6	323.00	413.00	119
372806	N	14	1062.00	1236.00	380	345008	N	8x3	407.00	494.00	155
334781	N	16	1279.00	1479.00	490	335313	N	8x4	415.00	505.00	165
334798	N	18	1952.00	2282.00	602	345015	N	8x6	440.00	540.00	175
334804	N	20	3141.00	3557.00	862	335320	N	8	461.00	566.00	185
334811	N	24	4161.00	4647.00	1423	335344	N	10x6	647.00	759.00	258
334828	N	30	7853.00	9231.00	2030	335351	N	10x8	665.00	782.00	260
						335368	N	10	793.00	916.00	310
						335375	N	12x4	791.00	911.00	318
						335382	N	12x6	798.00	928.00	325
						335399	N	12x8	836.00	971.00	335
						335405	N	12x10	991.00	1132.00	392
						335412	N	12	1008.00	1158.00	410
						335429#	N	16x4	2098.00	2318.00	600
						335436#	N	16x6	1853.00	2083.00	656
						335443#	N	16x8	1878.00	2113.00	625
						335450#	N	16x10	1976.00	2217.00	645
						335467#	N	16x12	2026.00	2276.00	715
						335474#	N	16	2541.00	2841.00	780
						335481	N	18x6	2151.00	2511.00	710
						335498	N	18x8	2204.00	2569.00	674
						335504	N	18x12	2300.00	2680.00	749
						335511	N	18	3048.00	3543.00	945
						335528	N	20x6	2546.00	2992.00	830
						335535	N	20x8	2723.00	3174.00	845
						335542	N	20x12	2817.00	3283.00	875
						335559	N	20x16	3524.00	4040.00	1095
						335566	N	20	3813.00	4437.00	1258
						335573	N	24x6	4050.00	4566.00	1233
						335580	N	24x8	4115.00	4636.00	1234
						335603	N	24x12	4215.00	4751.00	1256
						335610	N	24x14	4332.00	4905.00	1220
						335627	N	24x16	4429.00	5015.00	1245
						345022	N	24x18	5790.00	6441.00	1660
						335641	N	24x20	6012.00	6706.00	1720
						335658	N	24	6378.00	7107.00	1947
						335665#	N	30x6	8030.00	9438.00	2050
						335672#	N	30x8	7229.00	8642.00	2060
						335689#	N	30x10	7291.00	8710.00	2075
						335696#	N	30x12	8414.00	9842.00	2090
						335702#	N	30x16	8575.00	10053.00	2145
						335719#	N	30x18	7562.00	9105.00	2170
						335726#	N	30x20	7689.00	9275.00	2205
						335733#	N	30x24	11503.00	13124.00	2880
						335740#	N	30	12304.00	14371.00	2388
<b>45° (1/8) MJ BEND</b>											
334927	N	3	\$93.00	\$127.00	30						
334934	N	4	145.00	185.00	50						
334941	N	6	195.00	255.00	75						
334958	N	8	274.00	344.00	110						
334965	N	10	399.00	481.00	155						
334972	N	12	528.00	628.00	215						
372813	N	14	854.00	1028.00	311						
334989	N	16	1299.00	1499.00	380						
334996	N	18	1504.00	1834.00	531						
335009	N	20	2277.00	2693.00	605						
335016	N	24	3011.00	3497.00	1099						
335023#	N	30	6258.00	7636.00	1620						
<b>22½° (1/16) MJ BEND</b>											
335030	N	3	\$95.00	\$129.00	30						
335047	N	4	148.00	188.00	50						
335054	N	6	199.00	259.00	77						
335061	N	8	274.00	344.00	110						
335078	N	10	414.00	496.00	160						
335085	N	12	532.00	632.00	221						
372820	N	14	908.00	1082.00	300						
335092	N	16	1162.00	1362.00	391						
335108	N	18	1557.00	1887.00	527						
335115#	N	20	2316.00	2732.00	611						
335122	N	24	3265.00	3751.00	986						
335139	N	30	6475.00	7853.00	1898						
<b>11¼° (1/32) MJ BEND</b>											
335146#	N	3	\$96.00	\$130.00	30						
335153	N	4	150.00	190.00	50						
335160	N	6	199.00	259.00	75						
335177	N	8	274.00	344.00	104						
335184	N	10	414.00	496.00	160						
335191	N	12	542.00	642.00	221						
372837	N	14	908.00	1082.00	300						
335207	N	16	1162.00	1362.00	391						
335214	N	18	1557.00	1887.00	525						
335221	N	20	2335.00	2751.00	605						
335238	N	24	3265.00	3751.00	996						
335245	N	30	6475.00	7853.00	1410						

# Mfg. @ UFCO or Clow

# MJ FULL BODY DOUBLE CEMENT LINED

## Tyler/Union D.I. C110 MJ Fittings/Double Cement Lined

LP-5041

UPC #	Ship Code	Size	Less Accessories	With Accessories	Weight	UPC #	Ship Code	Size	Less Accessories	With Accessories	Weight
-------	-----------	------	------------------	------------------	--------	-------	-----------	------	------------------	------------------	--------

### MJxFE TEE

335757	N	4	\$292.00	\$332.00	76
335771	N	6x4	362.00	422.00	109
335788	N	6	426.00	486.00	115
335795	N	8x4	590.00	660.00	150
335801	N	8x6	542.00	612.00	160
335818	N	8	702.00	772.00	194
335825	N	10x4	907.00	989.00	229
335832	N	10x6	775.00	857.00	264
335849	N	10x8	826.00	908.00	245
335856	N	12x4	1332.00	1432.00	323
335863	N	12x6	954.00	1054.00	315
335870	N	12x8	1216.00	1316.00	372
335887	N	12	1877.00	1977.00	405
335894#	N	16x4	2852.00	3052.00	620
335900#	N	16x6	3002.00	3202.00	605
335917#	N	16x8	3043.00	3243.00	615
335924#	N	16x12	3226.00	3426.00	651
335931#	N	16	3620.00	3820.00	730
335948	N	18x6	3182.00	3512.00	707
335955	N	18x8	3230.00	3560.00	675
335962	N	18x12	3103.00	3433.00	705
335986	N	18	5035.00	5365.00	915
336006	N	20x8	3676.00	4092.00	835
336037	N	20	6410.00	6826.00	1165
336044	N	24x6	6061.00	6547.00	1125
336051	N	24x8	5986.00	6472.00	1242
336075	N	24	8077.00	8563.00	1795
336099	N	30	18463.00	19841.00	3080

### MJxSWIVEL TEE (With Swivel Gland)

340553	N	6	\$517.00	\$577.00	141
340881	N	8x6	542.00	612.00	191
340560	N	8	617.00	687.00	210
340898	N	10x6	888.00	970.00	267
340577	N	12x6	926.00	1026.00	346
340904#	N	16x6	1668.00	1868.00	643
340584	N	16x8	2255.00	2455.00	649
340591#	N	30x6	9432.00	10810.00	2070

### SWIVELxSWIVEL HYDRANT ELL

(With Two Swivel Glands)

340874†	N	6	\$382.00	N/A	106
340546†	N	8	599.00	N/A	156

### SWIVELxSOLID HYDRANT ADAPTER

(With Swivel Gland)

340928	N	4x13	\$254.00	N/A	61
340607†	N	6x12	301.00	N/A	84
340621†	N	6x18	372.00	N/A	91
340638†	N	6x24	432.00	N/A	105
340645	N	6x36	552.00	N/A	125
340652†	N	8x13	437.00	N/A	126
340669	N	12x13	665.00	N/A	220

### MJ CROSS

336211	N	18x8	\$2349.00	\$2749.00	775
336228	N	18x10	2524.00	2936.00	760
336235	N	18x12	2698.00	3128.00	860
336242	N	18	3641.00	4301.00	1130
345039	N	20x8	2870.00	3356.00	951
336266	N	20x12	3091.00	3607.00	955
336273	N	20x16	4016.00	4632.00	1245
336280	N	20	4561.00	5393.00	1448
336297	N	24x8	4274.00	4830.00	1200
336303	N	24x12	4504.00	5090.00	1326
336310	N	24x16	4916.00	5602.00	1375
336327	N	24x20	6897.00	7799.00	1965
336334	N	24	7626.00	8598.00	2155
336341	N	30x6	10032.00	11470.00	2085
345046#	N	30x12	10134.00	11612.00	2165
336358#	N	30x24	14648.00	16512.00	3180
336365#	N	30	16545.00	19301.00	3640

### MJ WYE (Not included in AWWA C110)

336105	N	18x8	\$4137.00	\$4502.00	940
336112	N	18x10	4291.00	4662.00	975
336129	N	18x12	4753.00	5133.00	1015
336143	N	18x16	4996.00	5426.00	1135
336150	N	18	5283.00	5778.00	1200
336167	N	20x10	5371.00	5828.00	1220
336174	N	20x12	5546.00	6012.00	1260
336198	N	20x16	6242.00	6758.00	1375
336204	N	20	7651.00	8275.00	1525

### MJ OFFSET

336853	N	4x12	\$424.00	\$464.00	85
336860	N	4x18	517.00	557.00	105
336877	N	4x24	665.00	705.00	126
336884	N	6x6	522.00	582.00	114
336891	N	6x12	587.00	647.00	135
344995	N	6x18	683.00	743.00	165
344988	N	6x24	817.00	877.00	165
336921	N	8x6	732.00	802.00	160
336938	N	8x12	902.00	972.00	200
336945	N	8x18	993.00	1063.00	245
336952	N	8x24	1237.00	1307.00	280
344971	N	10x12	1251.00	1333.00	280
336976	N	10x18	1496.00	1578.00	340
336983	N	10x24	1775.00	1857.00	420
337003	N	12x12	1689.00	1789.00	420
337010	N	12x18	2049.00	2149.00	520
337027	N	12x24	2551.00	2651.00	640
337034	N	16x12	3792.00	3992.00	690
337041	N	16x18	4484.00	4684.00	850
337058	N	20x12	4482.00	4898.00	1025
337065	N	20x18	5563.00	5979.00	1275

# Mfg. @ UFCO or Clow

S = From Stock to 2 weeks

N = Non-Stock; Check for availability.

All weights exclude accessories.

† Available from Tyler Only.



# TERMS AND CONDITIONS OF SALE

## Ransom Industries, LP

1. **ENTIRE AGREEMENT.** Ransom Industries, LP, agrees to sell the goods covered herein (the "Goods") to Buyer on the following terms and conditions of sale (the "Terms and Conditions") which supersede any other or inconsistent terms of Buyer. This contract constitutes the entire agreement between parties with respect to the Goods, and this Agreement may not be modified, amended or waived in any way except in writing signed by an authorized representative of Seller. No representation, promise or term not set forth herein has been nor may be relied upon by Buyer. All references by Seller to Buyer's specifications and similar requirements are only to describe the products and work covered hereby and no warranties or other terms therein shall have any force or effect.

2. **QUOTATIONS.** Where this form is used by Seller to place a bid, the quotation stated herein is for prompt acceptance and is subject to change and/or withdrawal without notice. Prompt acceptance of all quotations and adherence to delivery schedules are material terms of the bid and any subsequent agreement. In cases where freight allowance is included in the quotation, Buyer is liable for any rate increase and/or additional expense over the calculated allowance resulting from compliance with Buyer's shipping instructions.

3. **ACCEPTANCE.** This order shall not be binding upon Seller until accepted by an authorized representative of Seller at its home office. Acceptance of orders, whether oral or written, is based on the express condition that Buyer agrees to all of these Terms and Conditions. Acceptance of delivery by Buyer will constitute Buyer's assent to these Terms and Conditions in their entirety.

4. **DELIVERY.** All prices are F.O.B. Seller's plant, unless otherwise specified by Seller. All shipping dates are approximate, and any time period indicated for a shipment shall not commence until receipt of Seller's information. Acceptance of shipment by designated shipper, allocation of Goods to Buyer at premises other than Seller's, delivery to Buyer's representative or designee, or mailing of an invoice to Buyer, whichever first occurs, shall constitute tender of delivery. Upon tender of delivery, title shall pass to Buyer, subject to Seller's right of stoppage in transit and to any interest of Seller reserved to secure Buyer's payment or performance, irrespective of any freight allowance or prepayment of freight. Goods held subject to Buyer's instructions, Goods for which Buyer has failed to supply shipping instructions, or in any case where Seller, in its sole discretion, determines any part of the Goods should be held for Buyer's account, Seller may invoice the Goods and Buyer agrees to make payment at the maturity of the invoice rendered. Goods invoiced and held at any location for whatever reason shall be at Buyer's risk and Seller may charge for (but is not obligated to carry) insurance, storage and other expenses incident to such delay at its prevailing rates. Partial deliveries shall be accepted by Buyer and paid for at contract prices and terms. When Buyer has declared or manifested an intention not to accept delivery, no tender shall be necessary but Seller may, at its option, give notice in writing to Buyer that Seller is ready and willing to deliver and such notice shall constitute a valid tender of delivery. In no event shall Buyer be entitled to make any deduction from any payment due hereunder by reason of loss or damage in transit. Upon the written request of Buyer, Seller, at its sole discretion, may agree as a service to Buyer to process Buyer's claim against the carrier for any loss or damage in transit, provided that such claim is received by Seller within five (5) days of the receipt of Goods. Any such claims must be accompanied by a delivery receipt, signed by carrier's agent at time of delivery, on which receipt the loss or damage has been noted. In the absence of directions, goods will be shipped by the method and via carrier Seller believes dependable. Delivery by truck will be made to nearest points reasonably accessible by truck as determined by the driver. Buyer will furnish and pay for necessary labor to unload and store Goods. Buyer shall note loss or damage on truck shipments upon delivery ticket returned to Seller. All materials received from Seller must be counted upon receipt and compared to the Seller's packing list. Any shortage must be noted on the carrier's official freight bill and be confirmed with the signature of the driver representing the delivering carrier. A copy of the freight bill listing the shortage must be forwarded to Seller within three working days to receive credit for any shortage. If the freight bill is signed without exception, the packing list will be deemed correct and no shortage claim will be honored. Contact Seller's sales correspondent immediately if no packing list is present.

5. **TERMS OF PAYMENT.** Terms to Buyers whose credit has been approved in writing by Seller are specified on the face of the applicable invoice. Seller shall have the right to make partial shipments. If, at any time or for any reason, Seller shall have cause to question Buyer's ability to perform, Seller may demand such assurances of Buyer's performance as Seller shall deem necessary in its discretion, including payment in advance for all shipments. If Buyer fails within 10 days of Seller's demand to provide Seller with such assurance, Seller shall be entitled to cancel any order then outstanding, receive reimbursement for its reasonable and proper cancellation charges and may proceed to collect, without limitation, any sums due and owing, its reasonable cancellation charges and all damage resulting from Buyer's default. In the event of bankruptcy or insolvency of Buyer, or in the event of any proceeding brought against Buyer, voluntarily or involuntarily, under bankruptcy or any insolvency laws, Seller shall be entitled to cancel any order then outstanding at any time and shall receive reimbursement for its reasonable and proper cancellation charges. If Buyer fails to make payment for the Goods when due, Buyer's account shall be deemed delinquent and Buyer shall be liable to Seller for a service charge of eighteen percent (18%) per annum or the maximum allowed by law, whichever is greater, on any unpaid amount. Buyer shall be liable to Seller for all costs and expenses of collection, including court costs and reasonable attorney's fees.

6. **CANCELLATION, CHANGES AND RETURNS.** This order is not subject to cancellation, change or return unless agreed to in writing by an authorized representative of Seller. At Seller's option, Buyer may be charged for any costs incurred by Seller prior to or as a result of such cancellation, change or return. In this event, the seller shall be entitled to revise its prices and delivery dates to reflect such change. When Seller's agreement is obtained, Seller will accept returned material for credit if, in its sole discretion, it finds such material to be standard stock and in good condition. Such credit shall be the invoice price less 25% on acceptable goods, and less all shipping and handling charges. In all other cases, the credit in Seller's sole discretion shall be the scrap value of the Goods, less shipping and handling charges.

7. **DELAY IN OR PREVENTION OF PERFORMANCE.** Seller shall not be liable for any expense, loss or damage resulting from delay in delivery or prevention of performance caused by fires, floods, acts of God, strikes, labor disputes, labor shortages, lack of or inability to obtain materials, fuels, supplies or equipment, riots, accidents, transportation delays, acts or failures to act of any government or of Buyer, or any other cause whatsoever, provided that such cause is beyond the reasonable control of Seller; and Seller shall have such additional time for performance as may be reasonably necessary under the circumstances and may adjust the price to reflect increases occasioned by such delay. Acceptance by Buyer of any Goods shall constitute a waiver by Buyer of any claim for damages on account of any delay in delivery of such Goods. If delivery is delayed or interrupted for any such cause, Seller may store the Goods at Buyer's expense and risk, and Seller may charge Buyer therefor a reasonable storage rate. If Seller is delayed in proceeding with production or otherwise because it is awaiting Buyer's approval or acceptance of designs, drawings, prints, engineering or technical data, or is awaiting Buyer's approval or acceptance of the Goods, Seller shall be entitled to an adjustment in price commensurate with any increase in Seller's cost of production and any other losses and expenses incurred by Seller attributable to such delays.

8. **DEFERRED DELIVERY.** Any deferred delivery request by Buyer shall be subject to Seller's written approval. If such approval is given, Seller shall have the right to charge Buyer for the completed portion of the order and to warehouse all completed Goods at Buyer's expense and risk of loss. Seller also reserves the right, at its option, as to any uncompleted portion of the order to cancel said uncompleted portion in accordance with Paragraph 6 above, or to revise its prices and delivery schedules on the portion not completed to reflect its increased costs and expenses attributable to the delay.

# TERMS AND CONDITIONS OF SALE (Con't)

## Ransom Industries, LP

**9. WARRANTY AND LIMITATION OF LIABILITIES AND BUYER'S REMEDIES.** Seller warrants that the Goods delivered hereunder will be of the kind described in the within agreement and shall be free from defects in material and workmanship under conditions of normal use. Seller reserves the right to make any modifications required by production conditions to the information set forth in Seller's catalogues and advertising literature. Seller shall not be liable or responsible, however, for (A) any defects attributed to normal wear and tear, erosion or corrosion or improper storage, use or maintenance, or (B) defects in any portion or part of the Goods manufactured by others. If (B) above is applicable, Seller will, as an accommodation to Buyer, assign to Buyer any warranties given to it by any such other manufacturers. Any claim by Buyer with reference to the Goods for any cause shall be deemed waived by Buyer unless submitted to Seller in writing within ten (10) days from the date Buyer discovered, or should have discovered, any claimed breach. Buyer shall give Seller an opportunity to investigate.

Provided that Seller is furnished prompt notice by Buyer of any defect and an opportunity to inspect the alleged defect as provided herein, Seller shall, at its option and in its sole discretion either: (i) repair the defective or non-conforming Goods, (ii) replace the nonconforming Goods, or part thereof, which are sent to Seller by Buyer within sixty days after receipt of the Goods at Buyer's plant or storage facilities, or (iii) if Seller is unable or chooses not to repair or replace, return the purchase price that has been paid and cancel any obligation to pay unpaid portions of the purchase price of nonconforming Goods. In no event shall any obligation to pay or refund exceed the purchase price actually paid. Repair and/or replacement as provided above shall be at Seller's plant and shipped FOB Plant unless otherwise agreed to by Seller. Transportation charges for the return of the Goods or part thereof to Seller shall be prepaid by Buyer unless otherwise agreed to by the Seller in writing. Seller shall, in no event, be responsible for any labor, removal or installation charges that may result from the above-described repair and/or replacement of any Goods. The foregoing warranty does not cover failure of any part or parts manufactured by others, the failure of any part or parts from external forces, including but not limited to earthquake, installation, vandalism, vehicular or other impact, application of excessive torque to the operating mechanism or frost heave. The exclusive remedy of Buyer and the sole liability of Seller, for any loss, damage, injury or expense of any kind arising from the manufacture, delivery, sale, installation, use or shipment of the Goods and whether based on contract, warranty, tort or any other basis of recovery whatsoever, shall be, at the election of Seller, the remedies described above. The foregoing is intended as a complete allocation of the risks between the parties and Buyer understands that it will not be able to recover consequential damages even though it may suffer such damages in substantial amounts. Because this Agreement and the price paid reflect such allocation, this limitation will not have failed of its essential purpose even if it operates to bar recovery for such consequential damages.

**THE FOREGOING WARRANTY IS EXCLUSIVE AND IN LIEU OF ALL OTHER WARRANTIES WHETHER EXPRESS OR IMPLIED BY LAW. THERE IS NO IMPLIED WARRANTY OF MERCHANTABILITY OR FITNESS FOR A PARTICULAR PURPOSE. IN NO EVENT, WHETHER AS A RESULT OF BREACH OF CONTRACT, WARRANTY, TORT (INCLUDING NEGLIGENCE) OR STRICT LIABILITY, SHALL SELLER BE LIABLE FOR ANY PUNITIVE, SPECIAL, INCIDENTAL OR CONSEQUENTIAL DAMAGES INCLUDING, BUT NOT LIMITED TO, LOSS OF PROFIT, LOSS OF USE OF THE GOODS OR OTHER PROPERTY EQUIPMENT, DAMAGE TO OTHER PROPERTY, COST OF CAPITAL, COST OF SUBSTITUTE GOODS, DOWNTIME, OR THE CLAIMS OF BUYER'S CUSTOMERS FOR ANY OF THE AFORESAID DAMAGES. SELLER SHALL NOT BE LIABLE FOR AND BUYER AGREES TO INDEMNIFY SELLER FOR ALL PERSONAL INJURY, PROPERTY DAMAGE OR OTHER LIABILITY RESULTING IN WHOLE OR IN PART FROM THE NEGLIGENCE OF BUYER.**

In any contract by Buyer for resale of goods, buyer shall effectively disclaim, as against Seller, any implied warranty of merchantability and all liability for property damage or personal injury resulting from the handling, possession or use of the Goods, and shall exclude, as against Seller, any liability for special or consequential damages.

**10. PATENTS.** If any claim is made against Buyer based on a claim that any of the Goods constitute an infringement of any U.S. Letter Patent, Buyer shall notify Seller immediately. Seller shall have the right, with Buyer's assistance, if required, but at Seller's expense, to conduct settlement negotiations of any litigation. If any of the Goods are held to infringe any U.S. Letter Patent, and their use is enjoined or, if as a result of a settlement, Seller deems their continued use unadvisable and provided that Buyer has given Seller the immediate notice provided for above and has used the Goods only in accordance with the provisions of this order and shall not have altered or changed them in any material way, Seller shall, at its option and expense, procure for Buyer the right to continue using the Goods, modify the Goods so that they become non-infringing, replace the Goods with non-infringing Goods of substantially equal quality, or replace the Goods and refund the purchase price, less reasonable depreciation. The foregoing states Seller's entire liability for patent infringement.

**11. CONTROLLING LAW.** This Agreement and all rights and obligations hereunder shall be governed by the laws of the State of Alabama or Texas **Any claim by Buyer arising hereunder shall be tried in the courts of Alabama or Texas to which jurisdiction Buyer hereby submits.**

**12. ARBITRATION; DISPUTE RESOLUTION; PRESERVATION OF FORECLOSURE REMEDIES.** At the option or election of Seller, any dispute, claim or controversy ("Dispute") between Seller or Buyer relating to the transactions contemplated by this agreement, including without limitation any claim based on or arising from an alleged tort, shall be resolved by binding arbitration in accordance with Title 9 of the U.S. Code and the Commercial Arbitration Rules of the American Arbitration Association (the "AAA"). Defenses based on statutes of limitation and similar doctrines shall be applicable in any such proceeding, and the commencement of an arbitration proceeding under this Agreement shall be deemed the commencement of an action for such purposes. The arbitrator shall be selected in accordance with the Commercial Arbitration Rules of the AAA. The AAA shall designate a panel of ten (10) potential arbitrators knowledgeable in the subject matter of the Dispute. Each Seller and Buyer shall designate, within thirty (30) days of the receipt of the list of potential arbitrators, one of the potential arbitrators to serve, and the two arbitrators so designated shall select a third arbitrator from the eight remaining candidates.

**13. WAIVER.** No delay or failure by Seller to exercise any right or remedy under these Terms and Conditions shall be construed to be a waiver thereof. Waiver by Seller of any breach shall be limited to the specific breach so waived and shall not be construed as a waiver of any subsequent breach of this order or any rights hereunder without the prior written consent of Seller. This Agreement, and the Terms and Conditions contained herein, are enforceable, however, against the successors and assigns of Buyer.

**14. ASSIGNMENT.** Buyer may not assign this order or any rights hereunder without the prior written consent of seller. This agreement and the Terms and Conditions contained herein, are enforceable, however, against the successors and assigns of Buyer.

**15. TAXES.** Seller's prices do not include sales, use, excise or other similar taxes. Consequently, in addition to the price specified herein, the amount of any present or future such tax shall be paid by Buyer, or in lieu thereof, Buyer shall provide Seller with all tax-exemption certificates required by the taxing authorities, at the time of sale.

**16. CUMULATIVE NATURE OF REMEDIES.** All remedies of Seller set forth herein shall be cumulative and shall be in addition to any other remedies available to Seller, whether at law, equity or otherwise.



## Visit Us On The World Wide Web

1. **SEARCH INVENTORY** for all fittings, accessories, valve boxes, companion flanges and other products in stock, 24 hours a day, 7 days a week.
2. **SEE THE ENTIRE TYLER / UFCO CATALOG**  
View, print and download drawings and specifications.
3. **FIND THESE COMPLETE LIST PRICE SHEETS**  
just as you see them here, page-by-page. Use the Index to go right to the product group you need . View them, print them, download them.

Use the buttons on our web page to access any of these features.

Stock checks now take just seconds. You can examine inventory by using either the UPC codes found in the Price Sheets, or search by product description.

**[www.tylerpipe.com](http://www.tylerpipe.com)**  
**[www.ufco.com](http://www.ufco.com)**